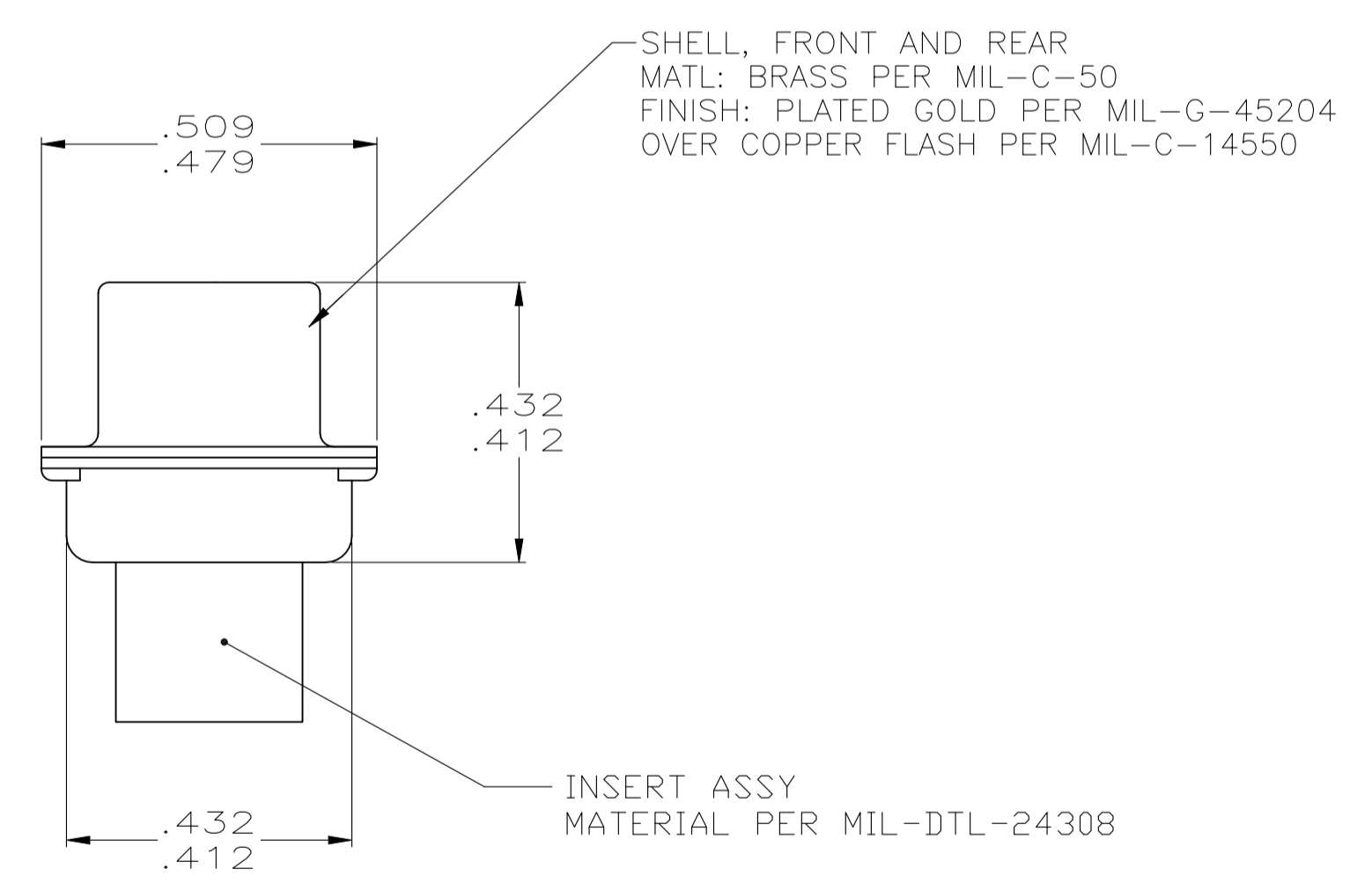
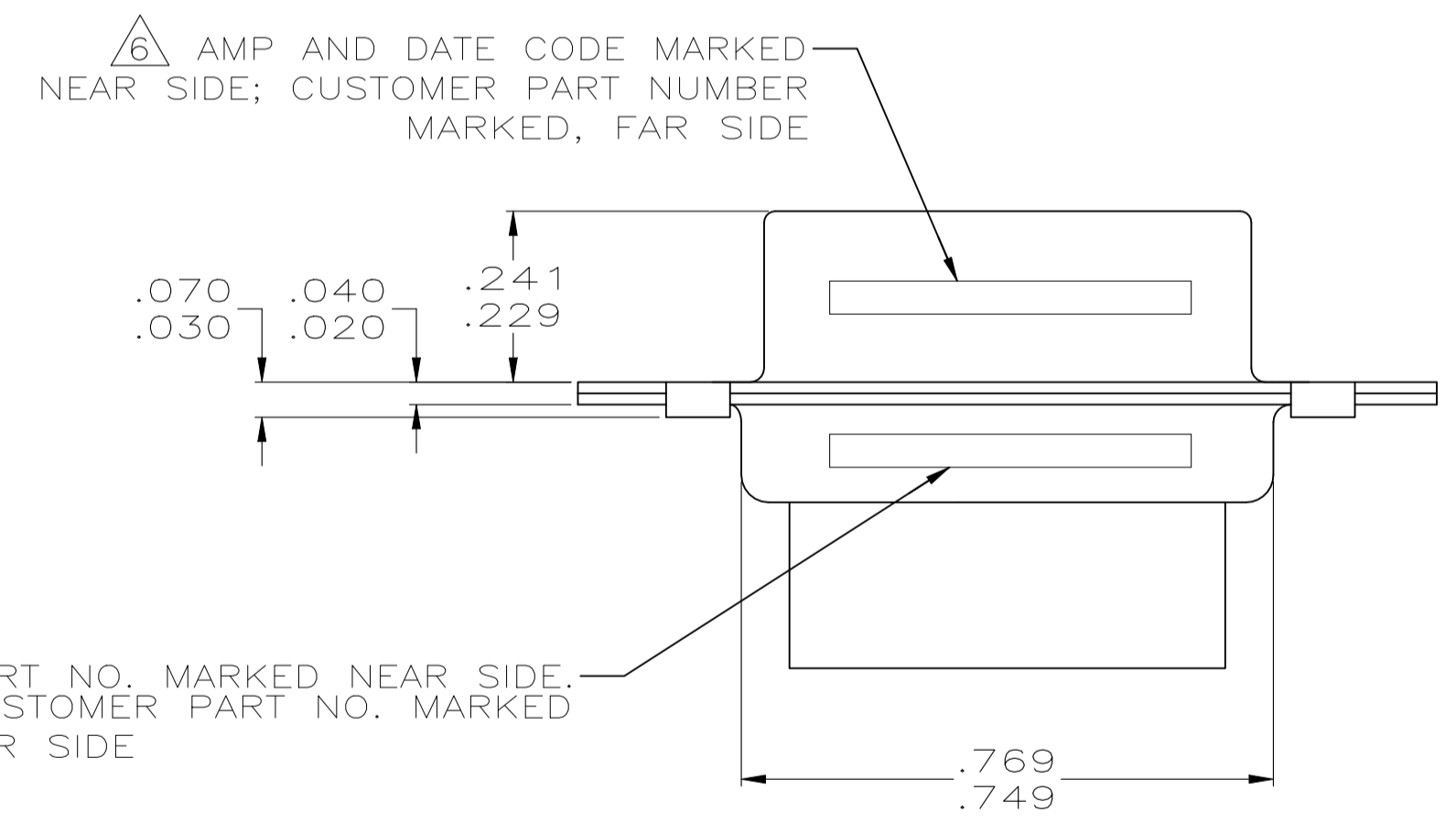
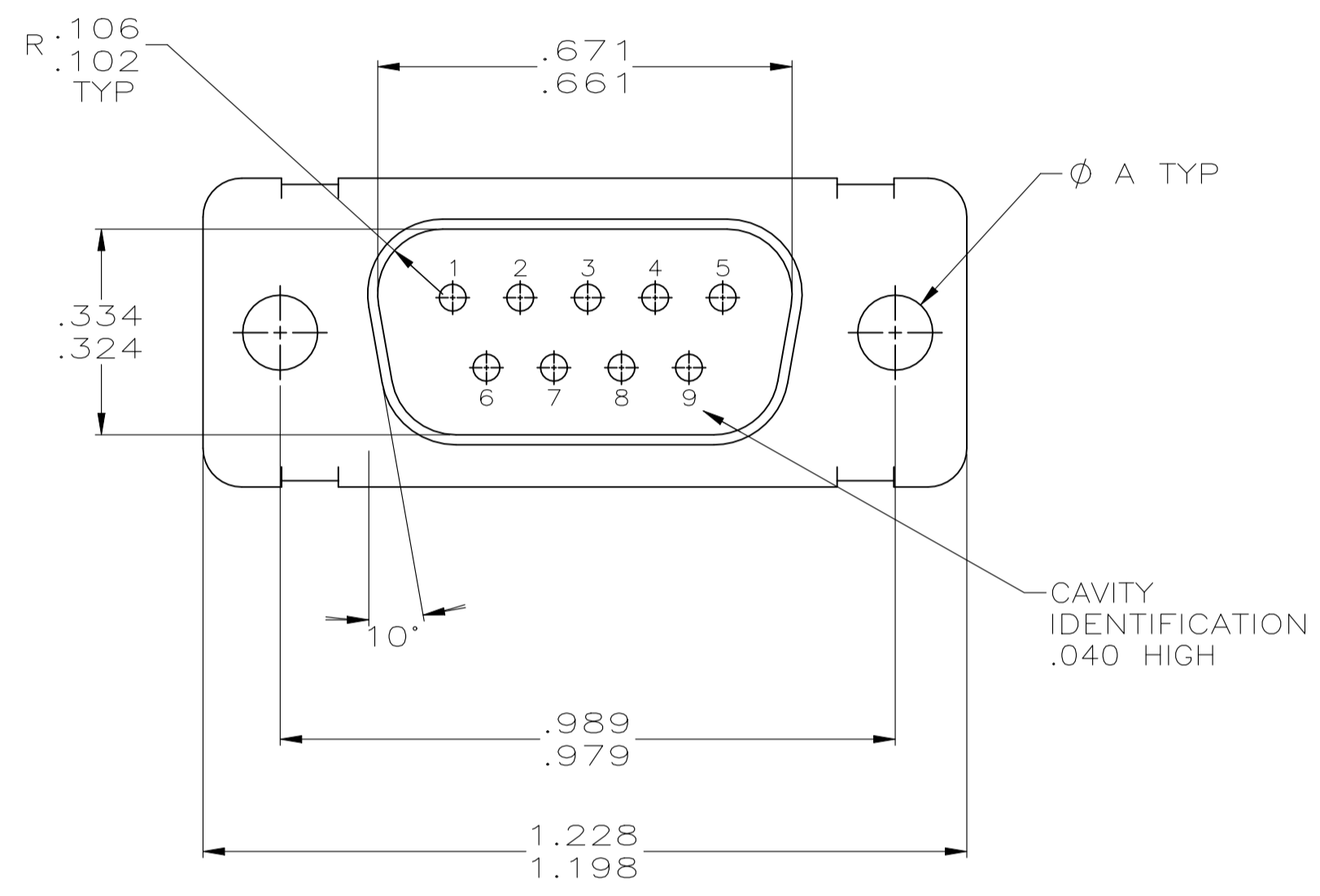


REVISIONS					
P	LTR	DESCRIPTION	DATE	DMN	APVD
P		REV PER ECO-20-017499	22OCT2021	JAB	DM



1. THIS PLUG WILL MATE WITH ANY RECEPTACLE CONNECTOR WITH THE SAME INSERT ARRANGEMENT AS DEFINED BY MS18273-1.
2. MAXIMUM WIRE INSULATION USED WITH THIS PLUG IS .072 DIA.
3. BE CU RETENTION CLIPS ARE INCLUDED IN INSERTS.
- △ THESE CONNECTORS ARE QUALIFIED TO GODDARD SPACE FLIGHT CENTER SPECIFICATION S-311-P-4.
5. CONNECTOR SUPPLIED WITHOUT CONTACTS; SHOWN FOR DIMENSIONAL REFERENCE ONLY.
- △ CUSTOMER PART NUMBER MAY BE SPLIT BETWEEN FRONT AND REAR SHELLS, SAME SIDE. FAR SIDE REFERS TO WIDE SIDE OF KEYSTONE, NEAR SIDE REFERS TO NARROW SIDE OF KEYSTONE.
- △ RESTRICTED TO CAE ELECTRONICS ONLY.

		.120	570513-6	207252-6	207252-6
	△ 4 △ 7	.120	311P409-1P-B-12	207252-2	207252-5
OBS		.120	2A014-001V-001	207252-4	207252-4
OBS		.120	---	207252-3	207252-3
	△ 4	.120	311P409-1P-B-12	207252-2	207252-2
	△ 4	.154	311P409-1P-B-15	207252-1	207252-1
	REMARKS	A	MARK CUSTOMER P/N	MARK PART NUMBER	MARK PART NUMBER

THIS DRAWING IS A CONTROLLED DOCUMENT.

DIMENSIONS: INCHES	TOLERANCES UNLESS OTHERWISE SPECIFIED:	DIN THOMPSON 08-12-93	TE Connectivity
0. PLC ± -	1. PLC ± -	CHK F. KINSEY 08-19-93	PLUG FOR PIN CONTACTS SERIES 109, SIZE 1, NONMAGNETIC 9 POSITION
2. PLC ± -	3. PLC ± .005	APVD F. KINSEY 08-19-93	
4. PLC ± -	ANGLES ± °	NAME	RESTRICTED TO
MATERIAL SEE CALLOUTS	FINISH SEE CALLOUTS	WEIGHT 0.000000	SIZE A1
		CUSTOMER DRAWING	SCALE 4:1 SHEET 1 of 1 REV P

单击下面可查看定价，库存，交付和生命周期等信息

[>>TE Connectivity\(泰科\)](#)