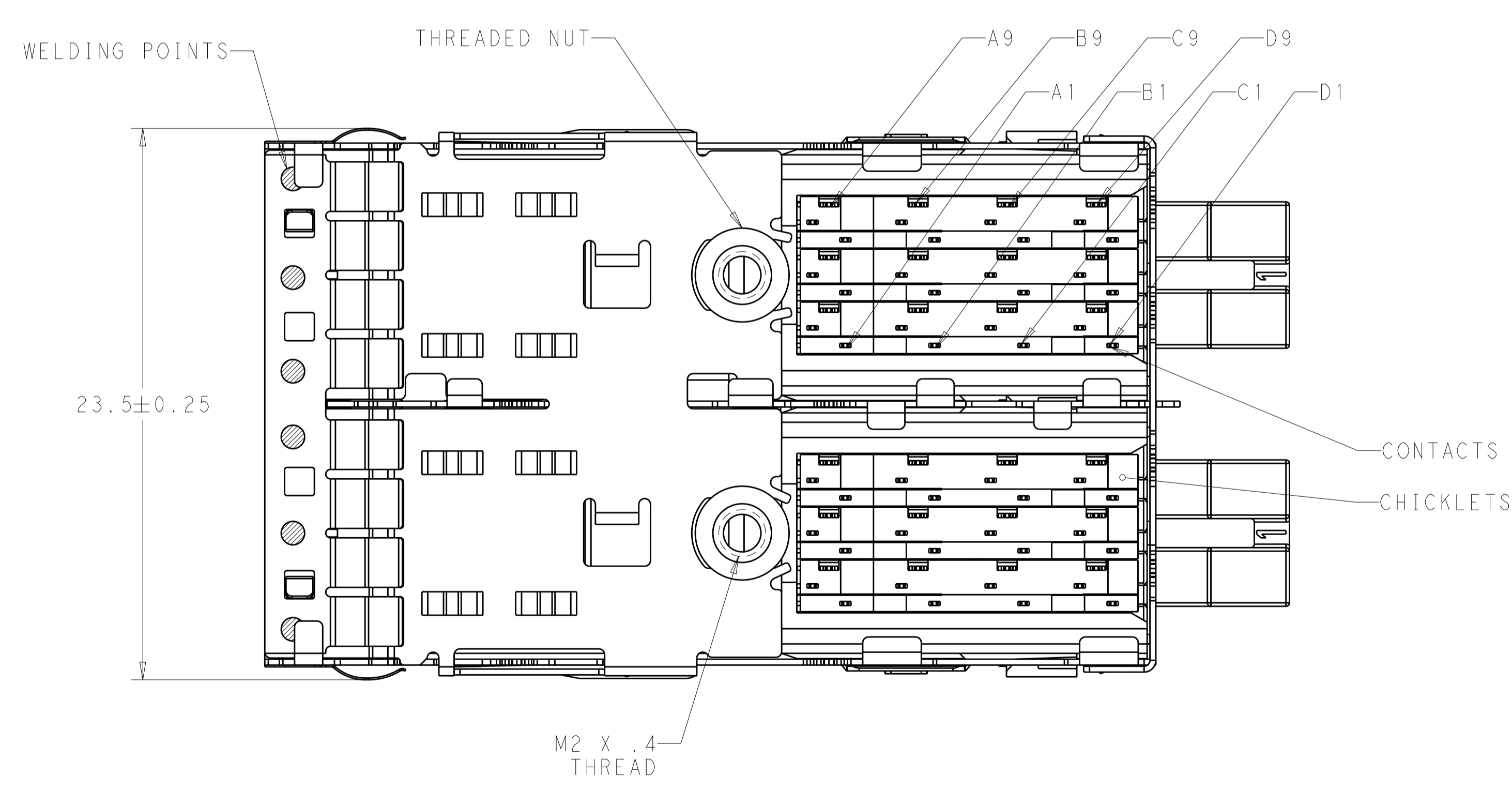
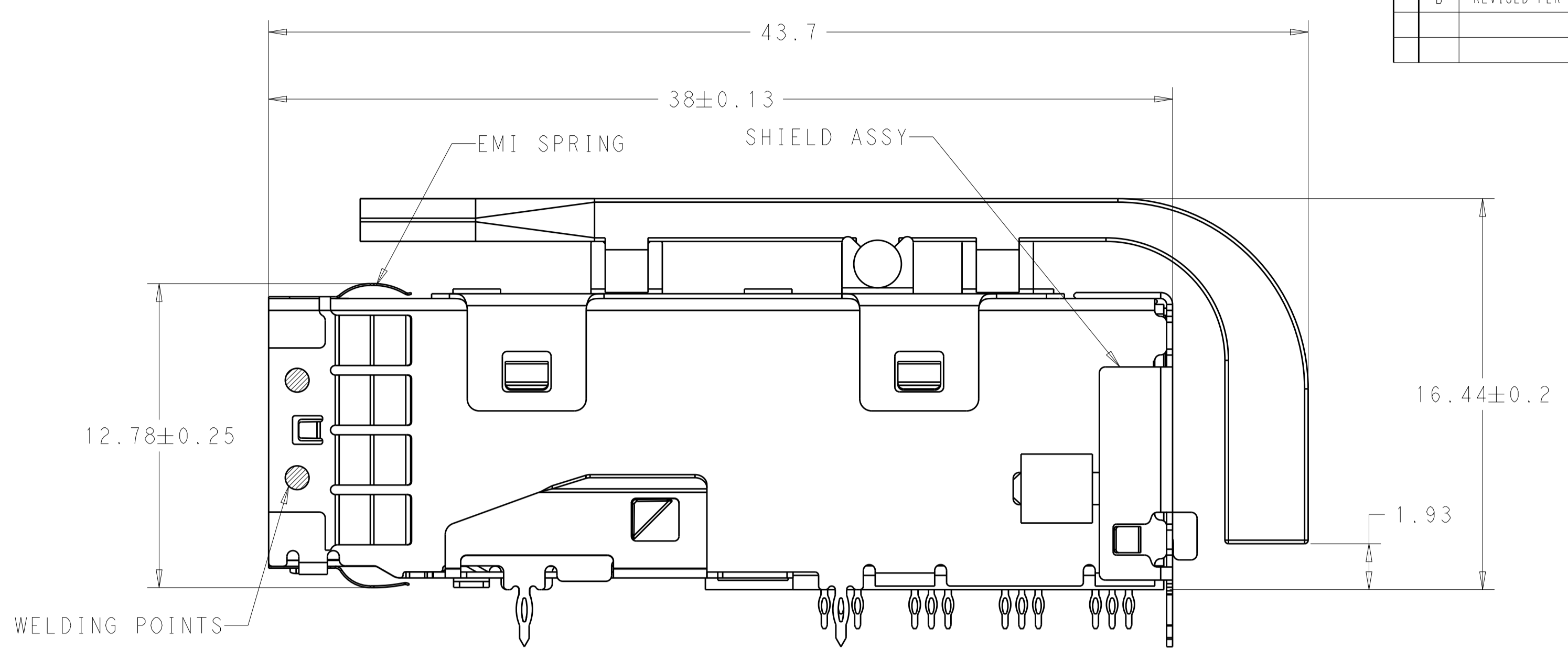
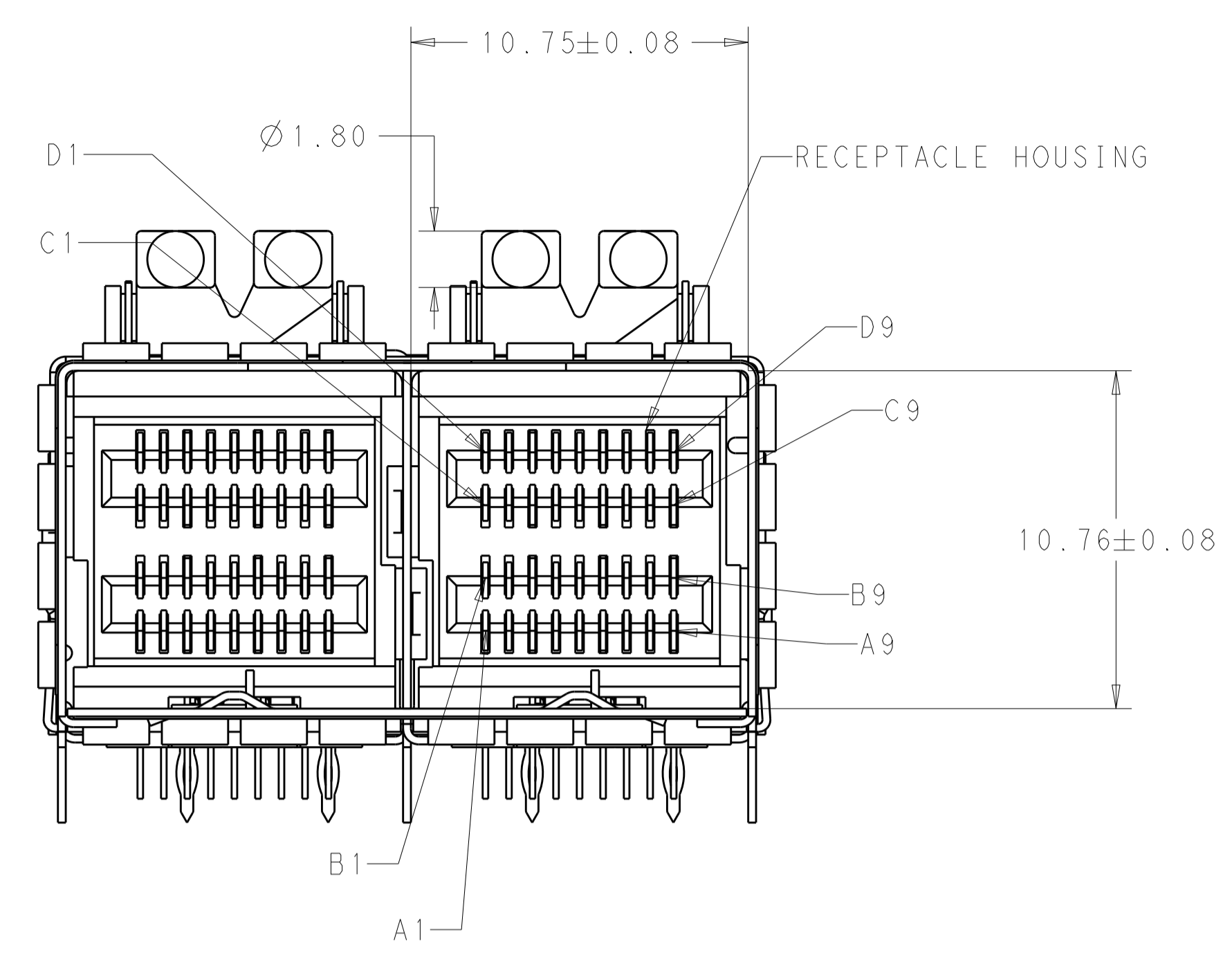


LOC	DIST	REVISIONS			
P	LTN	DESCRIPTION	DATE	DMN	APVD
A		REVISED PER ECO-14-018497	17DEC2014	AP	DG
B		REVISED PER ECO-15-013876	16MAY2016	JY	SH



- MATERIALS**
 RECEPTACLE HOUSING: LCP, BLACK, UL94V-0 RATED
 SHIELD ASSY: NICKEL-SILVER COPPER ALLOY
 CONTACTS: COPPER ALLOY
 EMI SPRING: COPPER ALLOY
 THREADED NUT: BRASS
 CHICKLETS: LCP, BLACK, UL 94V-0 RATED
 LIGHTPIPE CLIP: STAINLESS STEEL
 LIGHTPIPE: POLYCARBONATE
 - FINISH**
 EMI SPRING: TIN PLATE OVER NICKEL PLATE
 NON-PLATED EDGES PERMISSABLE
 THREADED NUT: NICKEL PLATE
- △ CONTACT FINISH: CONFORMS TO THE REQUIREMENTS OF TE PRODUCT SPECIFICATION, 108-2462. BASED ON EIA/ECA-364-1000.01A. (CONTROLLED ENVIRONMENT APPLICATIONS) ON MATING END. TIN PLATED ON PCB TAIL
4. THREAD LENGTH OF FASTENER = PCB THICKNESS+1.45 MAX
- △ RECOMMENDED TRACE KEEP OUT ZONE

LOWER HEIGHT	14.53	2198483-2
STANDARD HEIGHT	15.54	2198483-1
LIGHT PIPE	H HOLE HIGHT OF LP	PART NUMBER

2198483-1 AS SHOWN

THIS DRAWING IS A CONTROLLED DOCUMENT. DWN: J. SECHRIST 15NOV2011
 CHK: J. SECHRIST 15NOV2011
 APVD: J. SECHRIST

DIMENSIONS: mm
 TOLERANCES UNLESS OTHERWISE SPECIFIED:
 0 PLC ±
 1 PLC ±0.25
 2 PLC ±0.13
 3 PLC ±
 4 PLC ±
 ANGLES ±
 FINISH ±

MATERIAL: -

PRODUCT SPEC: 108-2462
 APPLICATION SPEC: 114-13316
 WEIGHT: -

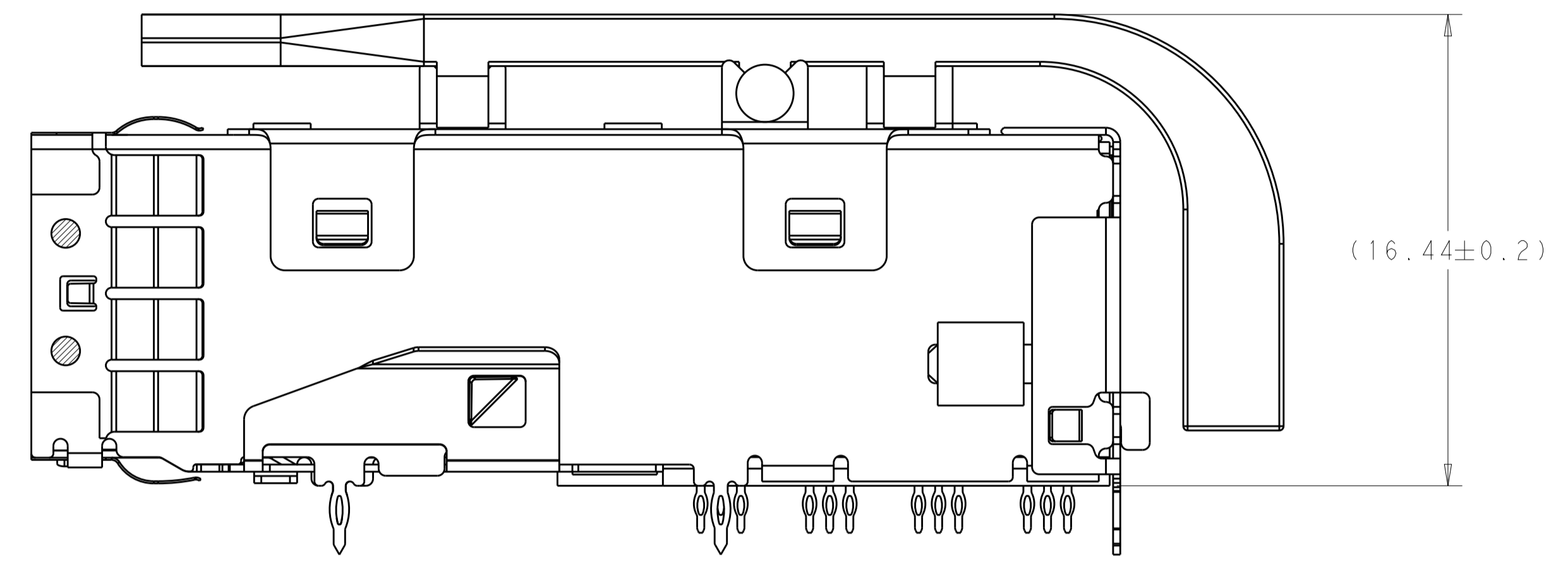
CUSTOMER DRAWING

NAME: RECEPTACLE ASSEMBLY, MINI-SAS HD, 2X W/ LIGHT PIPES
 SIZE: A1
 CAGE CODE: 00779
 DRAWING NO: 2198483

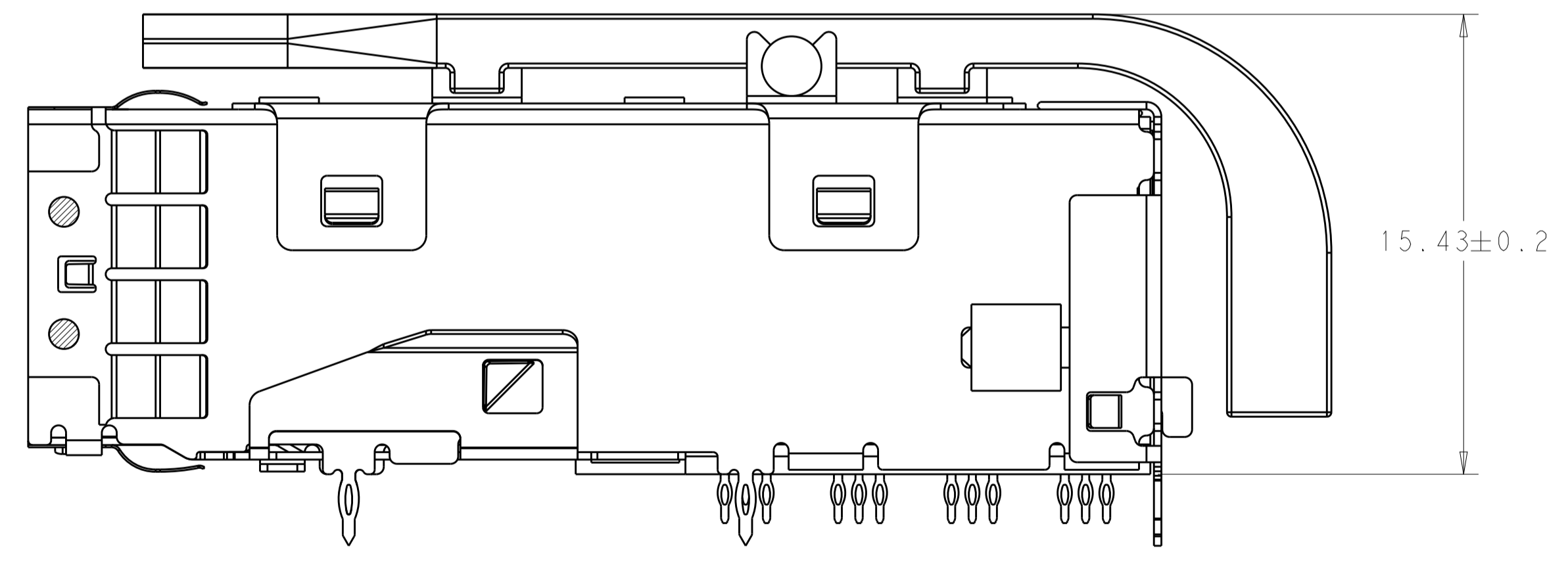
RESTRICTED TO: -

SCALE: 6:1 SHEET 1 OF 4 REV B

LOC	DIST	REVISIONS			
P.	LTN	DESCRIPTION	DATE	DWN	APVD
-	-	SEE SHEET 1	-	-	-



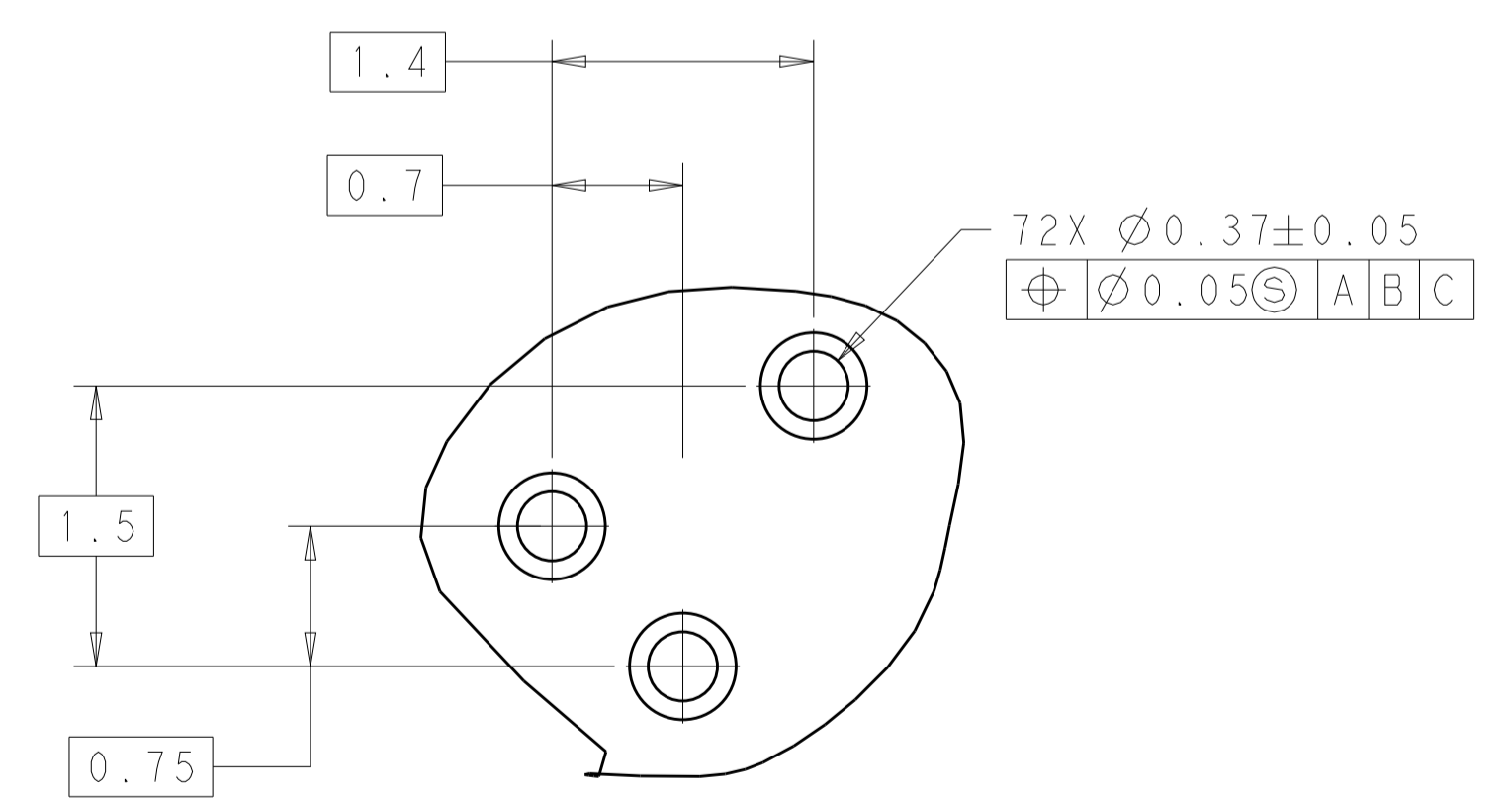
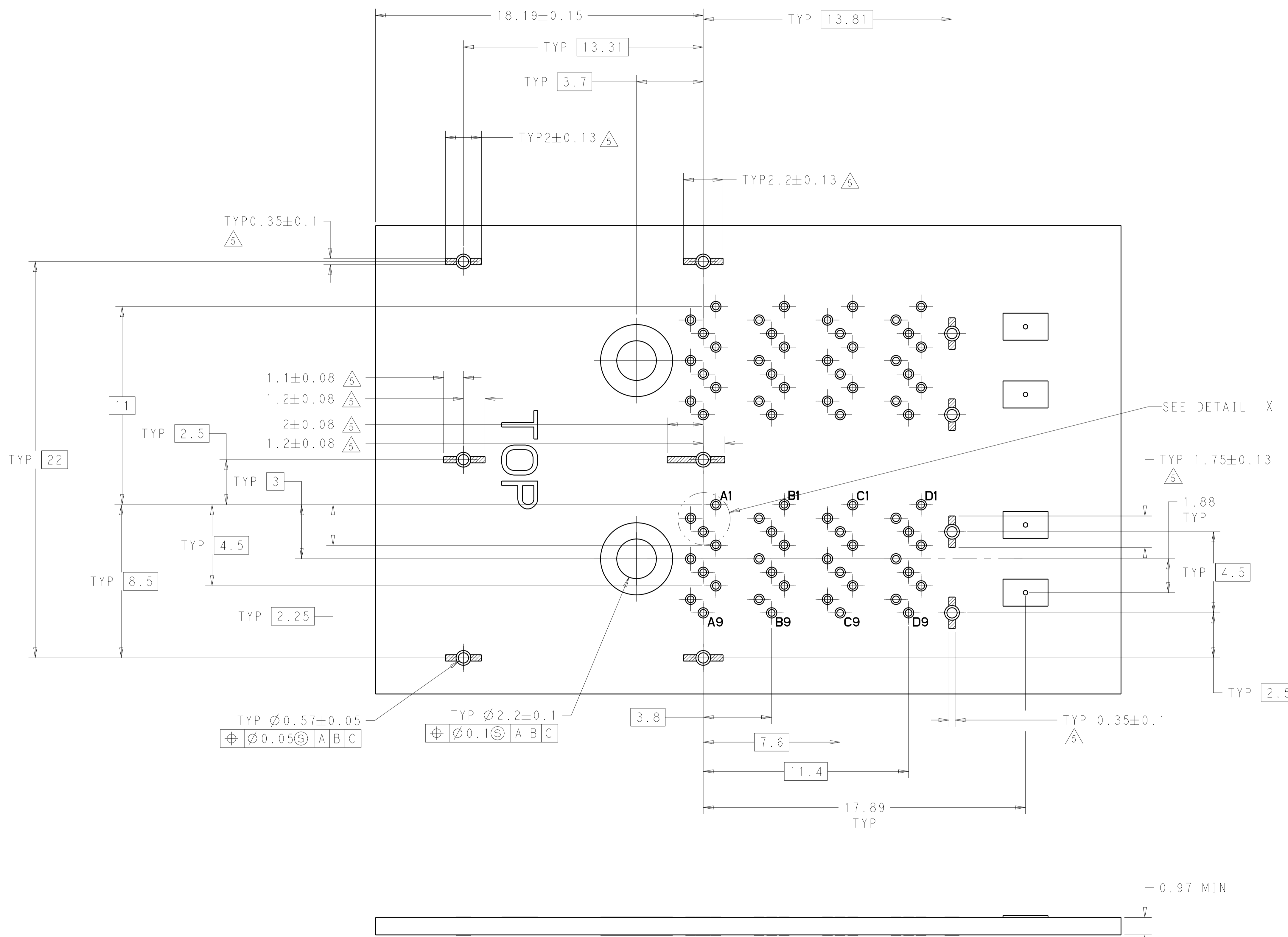
2198483-1
 SCALE 6:1



2198483-2
 UNSPECIFIED DIMENSIONS ARE SAME AS 2198483-1
 SCALE 6:1

THIS DRAWING IS A CONTROLLED DOCUMENT.		DWN J. SECHRIST 15NOV2011	
DIMENSIONS: mm		CHK J. SECHRIST 15NOV2011	
TOLERANCES UNLESS OTHERWISE SPECIFIED:		APVD J. SECHRIST	NAME RECEPTACLE ASSEMBLY, MINI-SAS HD, 2X W/ LIGHT PIPES
0 PLC ±	1 PLC ±0.25	PRODUCT SPEC 108-2462	SIZE A100779C=2198483
2 PLC ±0.13	3 PLC ±	APPLICATION SPEC 114-13316	RESTRICTED TO
4 PLC ±	ANGLES ±	WEIGHT	SCALE 6:1 SHEET 2 OF 4 REV B
FINISH	Customer Drawing		

LOC	DIST	REVISIONS			
P.	LTN	DESCRIPTION	DATE	DWN	APVD
-	-	SEE SHEET 1	-	-	-

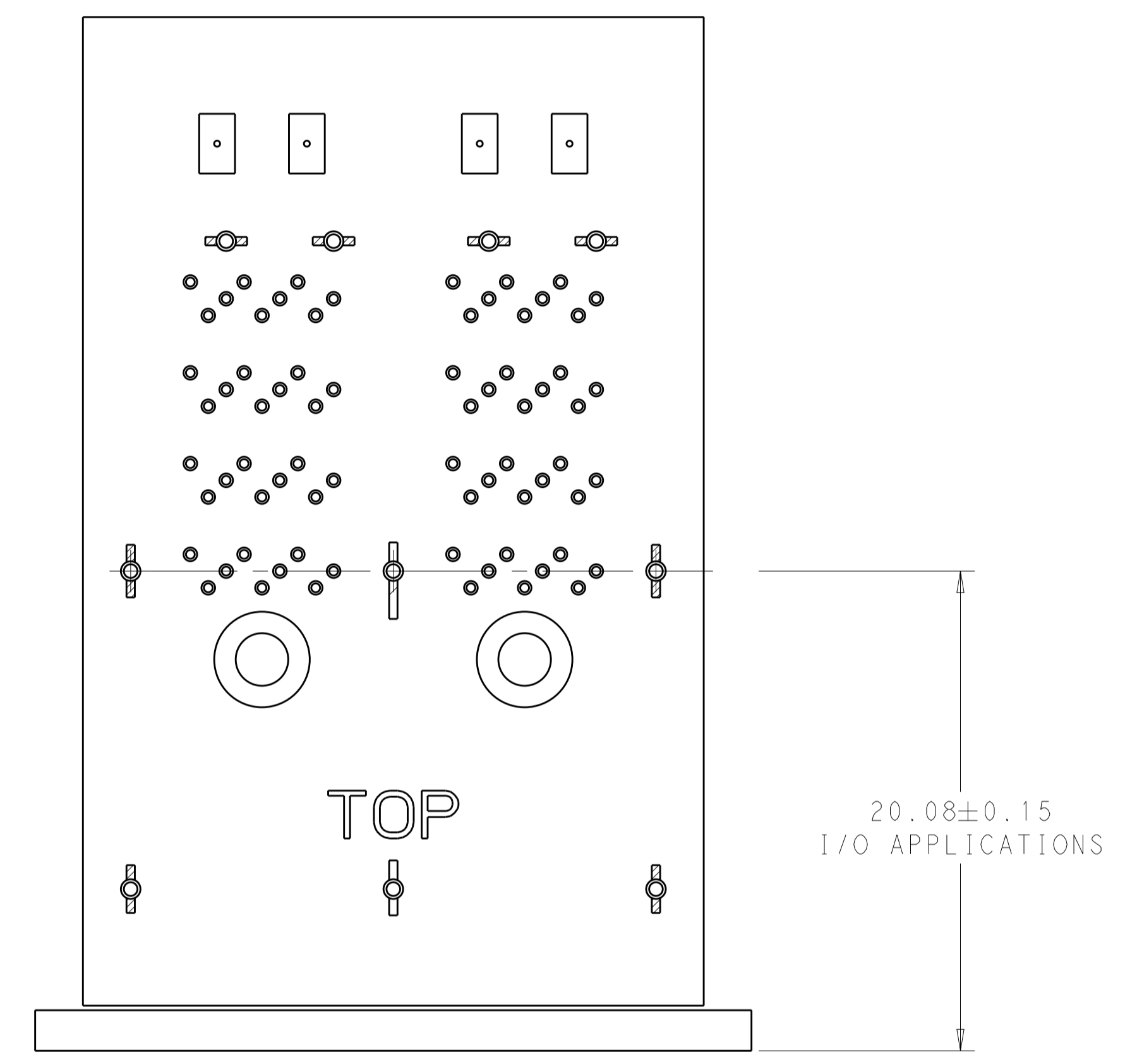
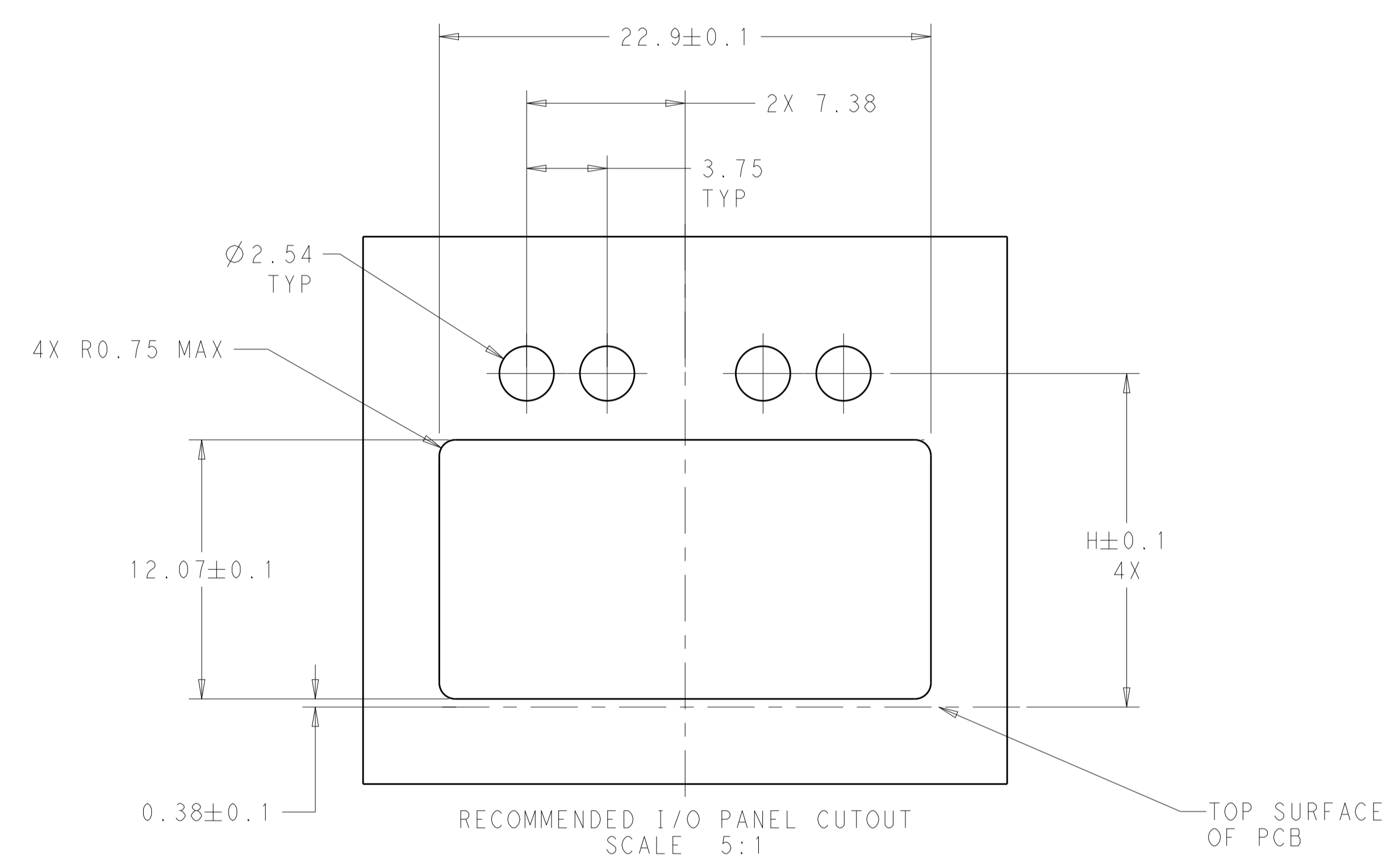


DETAIL X
SCALE 25:1

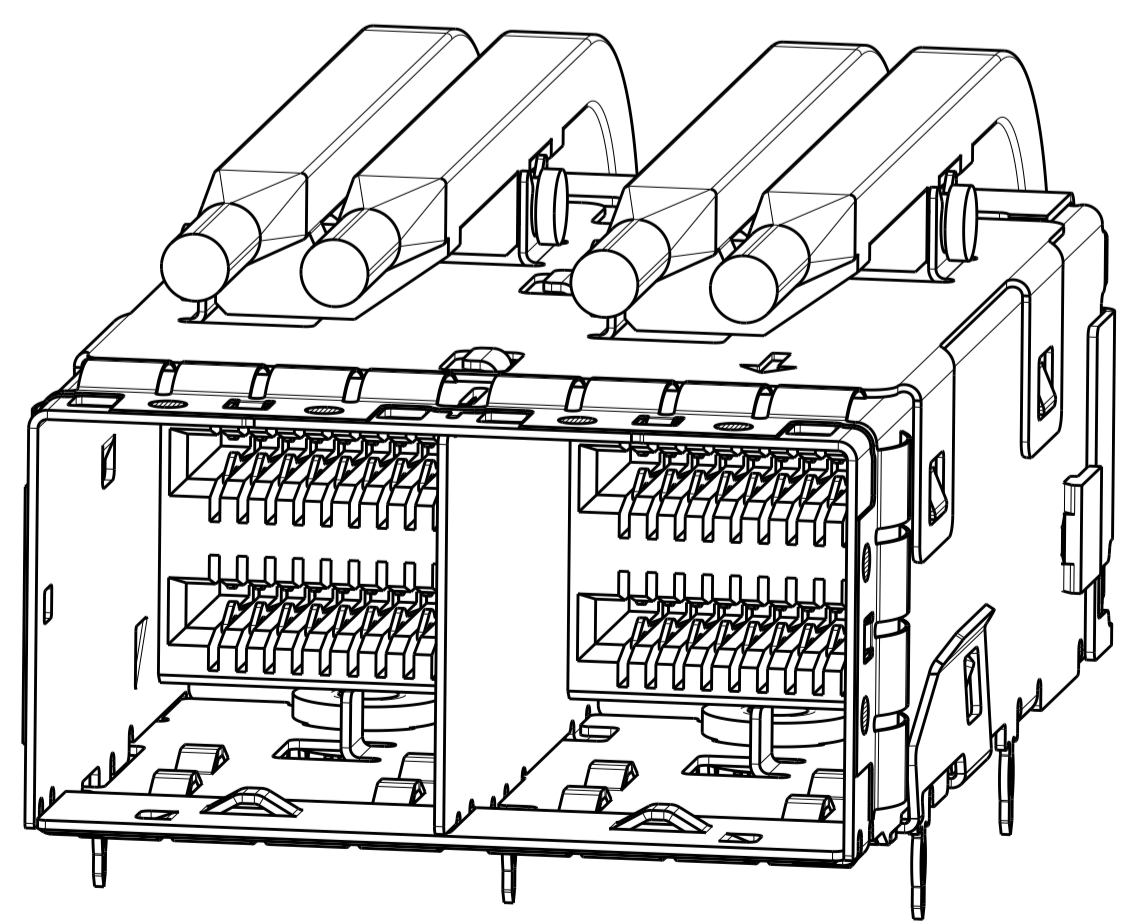
RECOMMENDED PCB LAYOUT

THIS DRAWING IS A CONTROLLED DOCUMENT.		DWN: J. SECHRIST 15NOV2011	TE Connectivity
DIMENSIONS: mm		CHK: J. SECHRIST 15NOV2011	
TOLERANCES UNLESS OTHERWISE SPECIFIED: 0 PLC ±0.25 1 PLC ±0.13 2 PLC ±0.13 3 PLC ±0.13 4 PLC ±0.13 ANGLES ±0.13		APVD: J. SECHRIST	NAME: RECEPTACLE ASSEMBLY, MINI-SAS HD, 2X W/ LIGHT PIPES
MATERIAL: -		PRODUCT SPEC: 108-2462	SIZE: 114-13316
FINISH: -		APPLICATION SPEC: -	RESTRICTED TO: -
Customer Drawing		WEIGHT: -	SCALE: 6:1
A100779C=2198483		Customer Drawing	SHEET 3 OF 4 REV B

LOC	DIST	REVISIONS			
P	LTN	DESCRIPTION	DATE	DWN	APVD
-	-	SEE SHEET 1	-	-	-



PANEL/PCB ASSEMBLY
 SCALE 5:1



THIS DRAWING IS A CONTROLLED DOCUMENT.		DWN: J. SECHRIST 15NOV2011	
DIMENSIONS: mm		CHK: J. SECHRIST 15NOV2011	
TOLERANCES UNLESS OTHERWISE SPECIFIED:		APVD: -	NAME: RECEPTACLE ASSEMBLY, MINI-SAS HD, 2X W/ LIGHT PIPES
0 PLC ±	1 PLC ±0.25	PRODUCT SPEC: 108-2462	SIZE: A100779
2 PLC ±0.13	3 PLC ±	APPLICATION SPEC: 114-13316	CAGE CODE: C=2198483
4 PLC ±	ANGLES ±	WEIGHT: -	RESTRICTED TO: -
MATERIAL: -	FINISH: -	Customer Drawing	SCALE: 6:1 SHEET: 4 OF 4 REV: B

单击下面可查看定价，库存，交付和生命周期等信息

[>>TE Connectivity\(泰科\)](#)