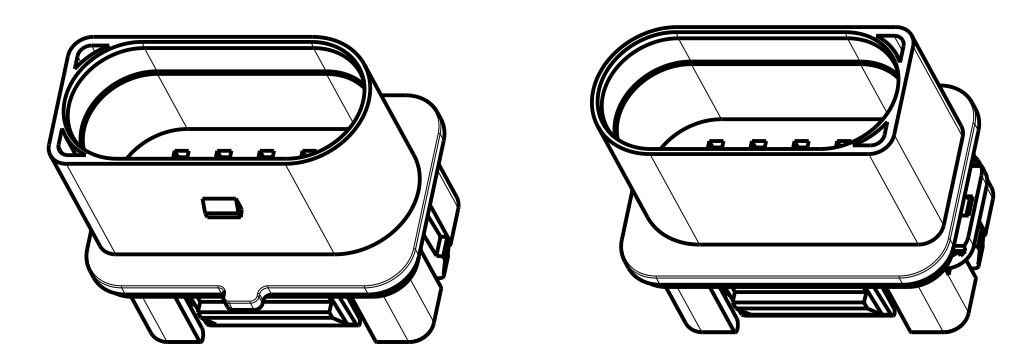
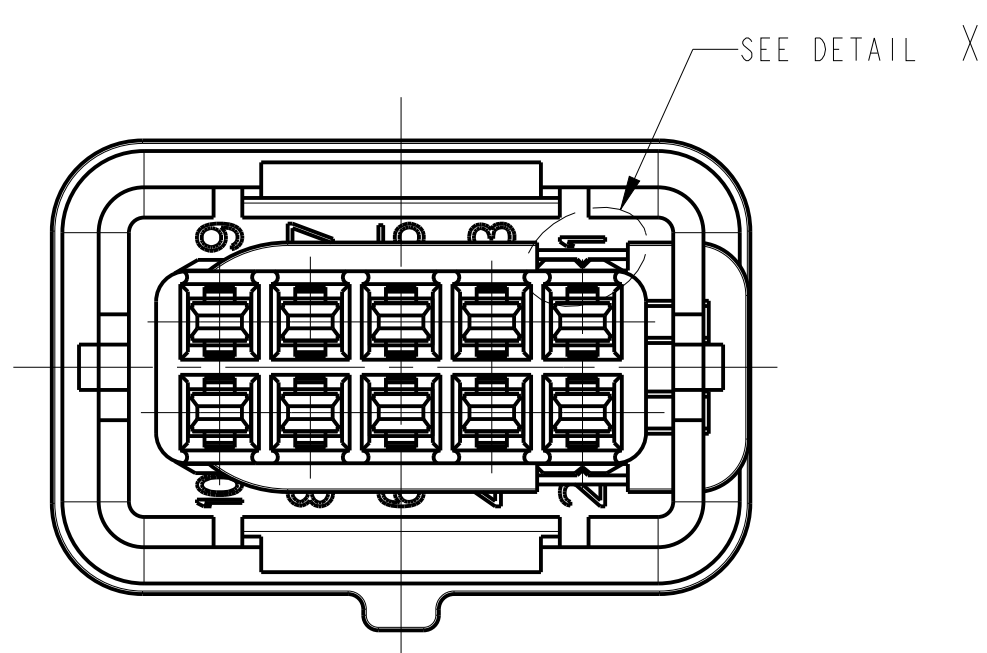
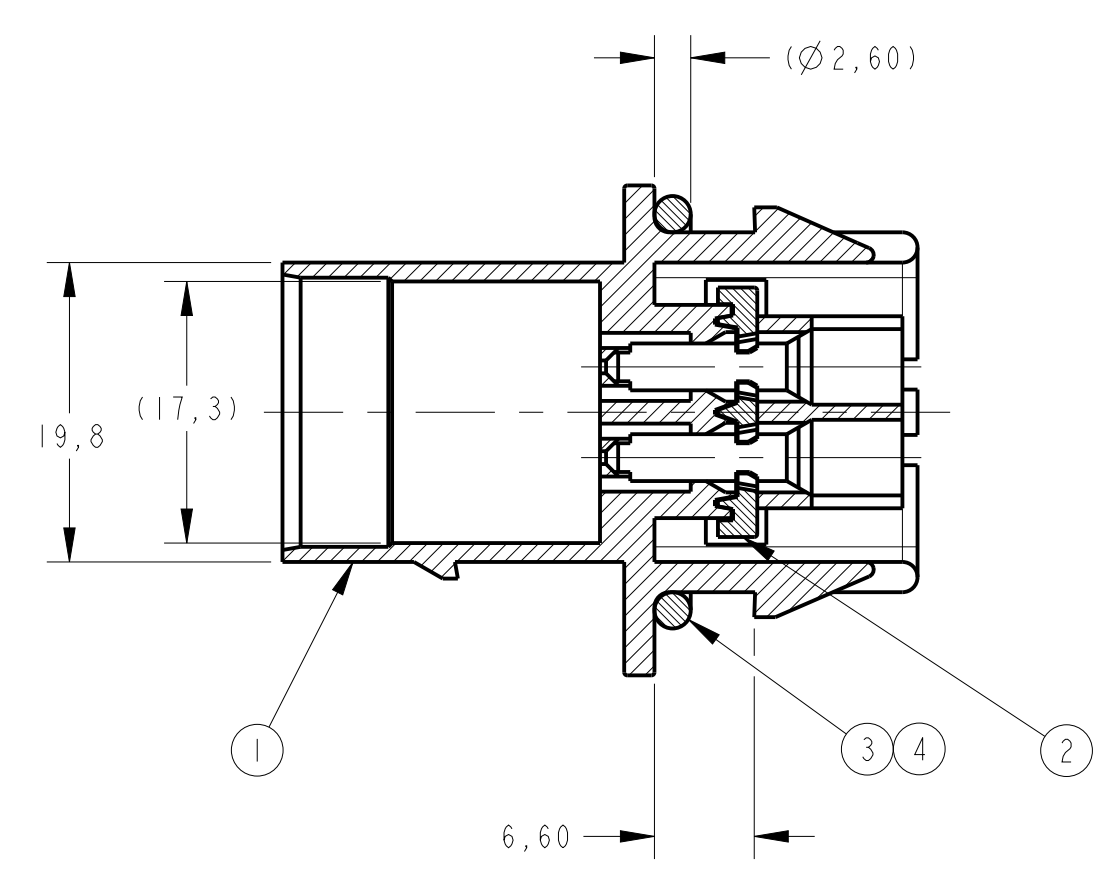
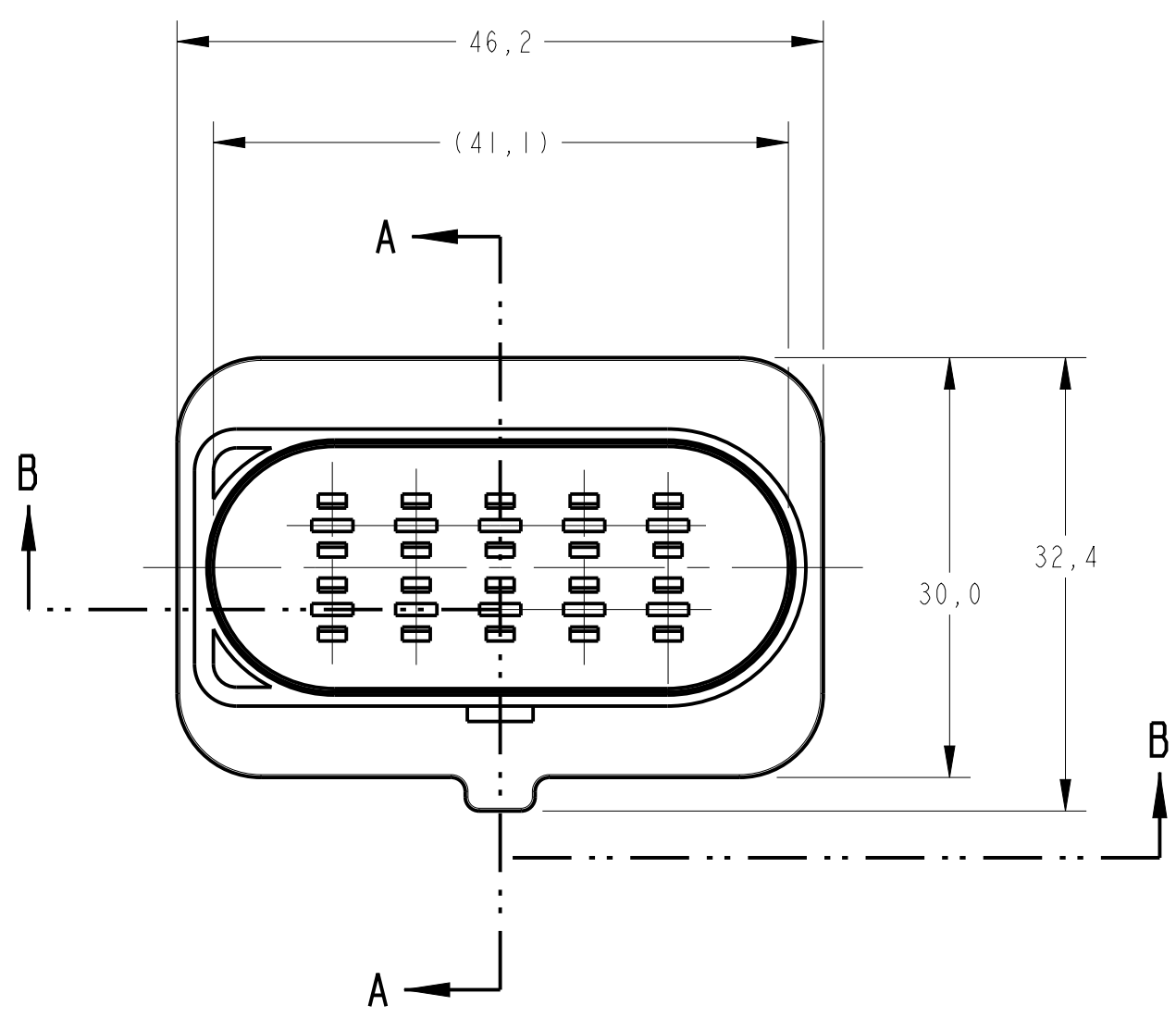
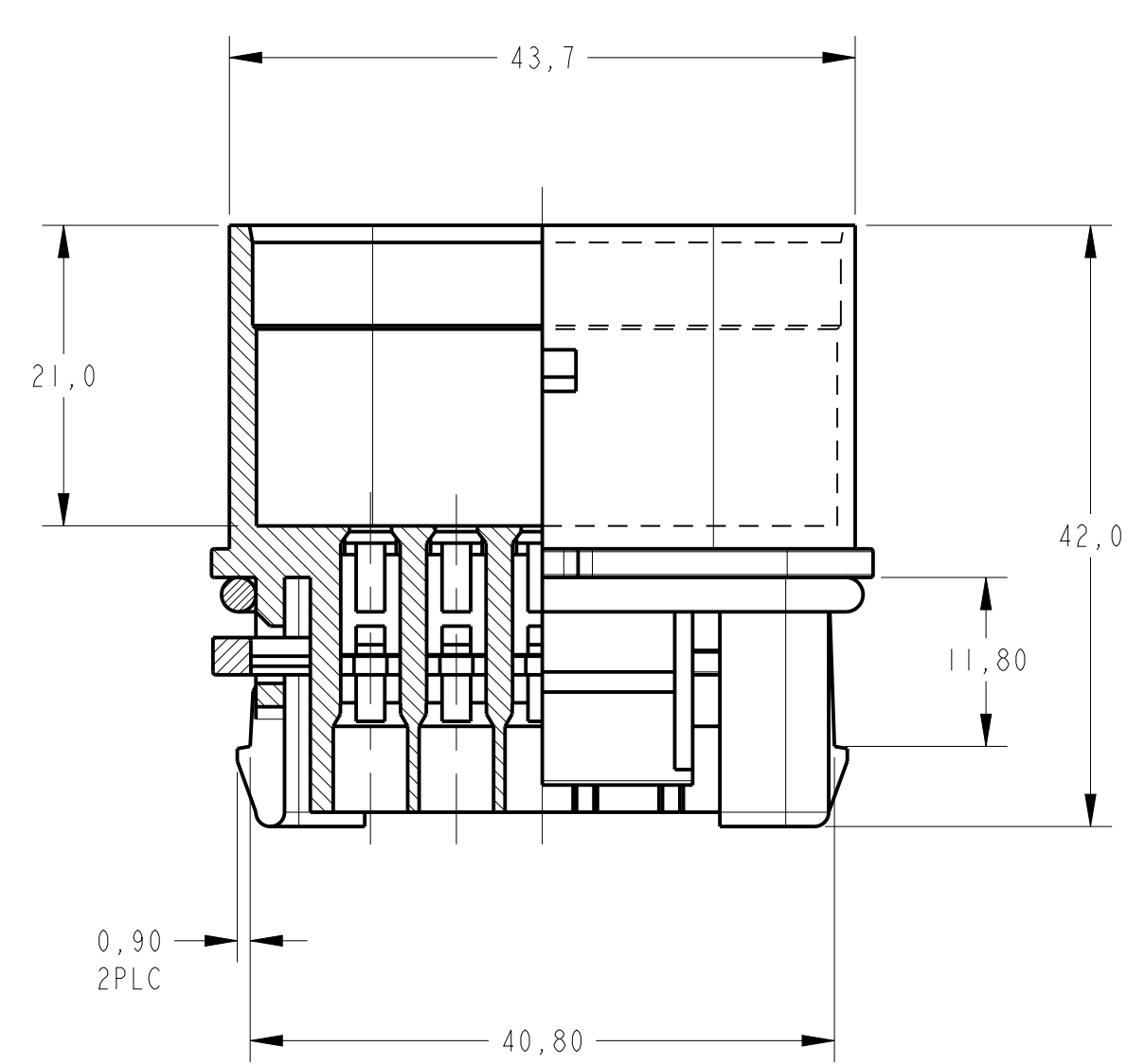


REVISIONS				
P.	LTH	DESCRIPTION	DATE	DWN APVD
E		REVISED DRAWING ECO-19-012537	13AUG2019	PSB DAO
E1		REVISED DRAWING ECO-19-014363	18SEP2019	RKL DAO
E2		REVISED BY ECO-20-001009	20JAN2020	PSB NMS
E3		REVISED BY ECO-21-001834	10FEB2021	PSB NMS

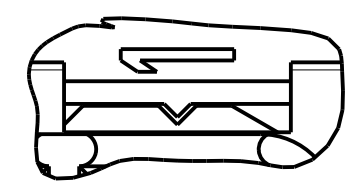


PERSPECTIVE VIEWS
 SCALE 1:1

SECTION A-A



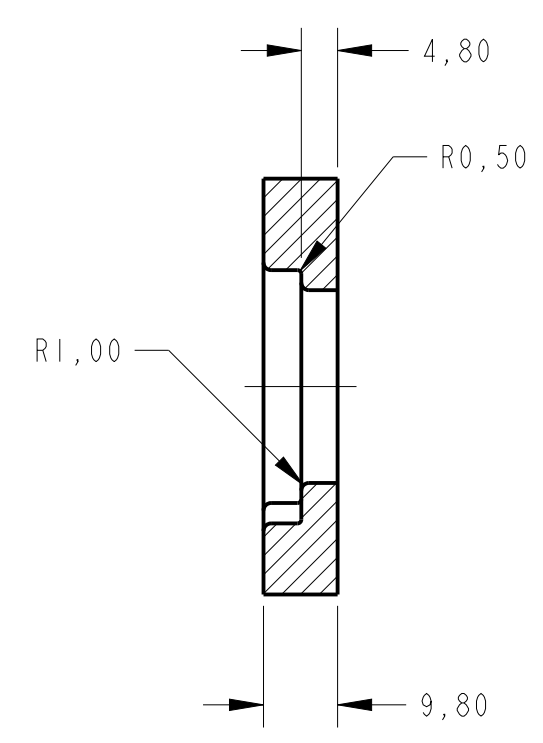
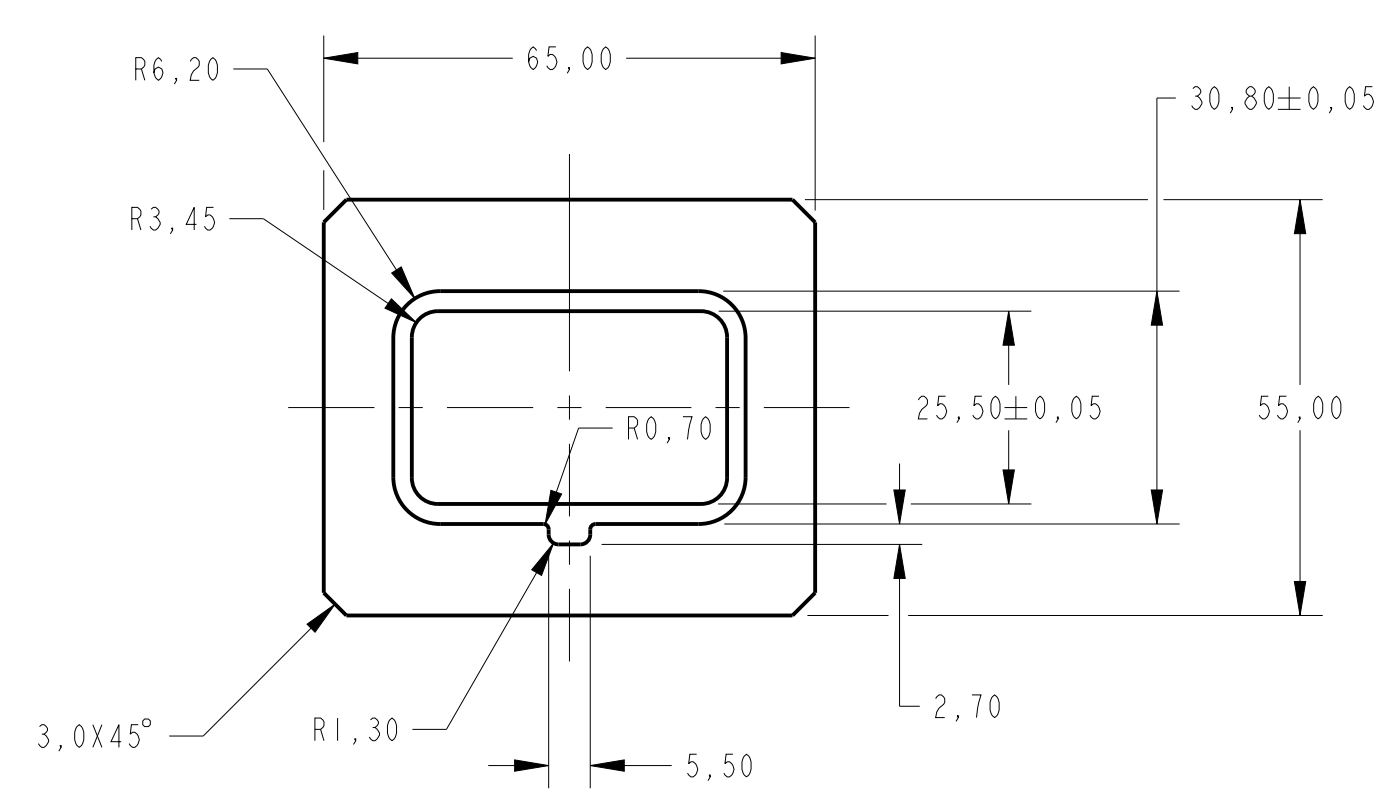
SECTION B-B



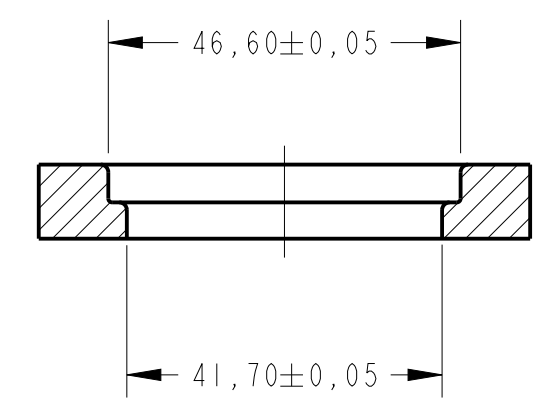
DETAIL X
 SCALE 5:1
 AS PEÇAS SÃO FORNECIDAS
 COMO MOSTRADAS.
 THE PARTS MUST BE
 SUPPLIED AS SHOWN.

INFORMAÇÃO DA CONTRA PEÇA
MATING CONNECTOR INFORMATION

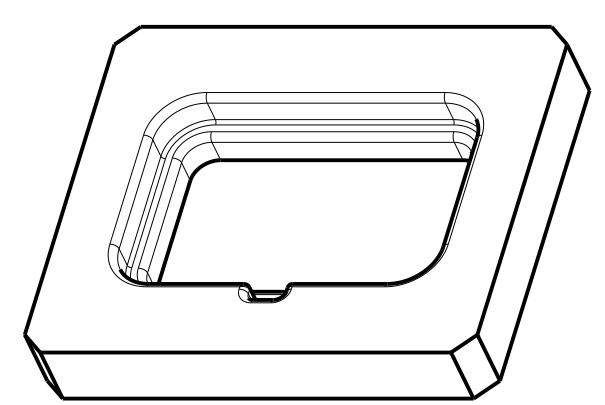
SCALE 1:1



SECTION A-A



SECTION B-B



PERSPECTIVE VIEW
 SCALE 1:1

- 1 - USAR TERMINAIS CONFORME DESENHO DE CLIENTE 1355364.
- 2 - USADO COM 493577.
- 3 - CONECTOR SELADO DEVERÁ ATENDER O TESTE DE DESEMPENHO DE VEDAÇÃO DE ACORDO COM NORMA USCAR-2 (REVISÃO 6)-ITEM 5.6.6 (SEM ENVELHECIMENTO DE 70h)
- 1 - USED WITH TERMINALS ACC. TO CUSTOMER DRAWING 1355364.
- 2 - USED ON 493577.
- 3 - SEALED CONNECTOR SHALL ATTEND SEAL PERFORMANCE TEST ACCORDING TO USCAR-2 (REVISION 6)-ITEM 5.6.6 (WITHOUT 70h AGING)

GRAVAÇÃO MARKING	
LOGOTIPO TE	TE LOGO
CÓDIGO PAÍS PRODUTOR	MANUFACTURER COUNTRY CODE
NOMENCLATURA MATERIAL	MATERIAL NOMENCLATURE
NÚMERO COMPONENTE TE	TE COMPONENT NUMBER
NÚMERO CAVIDADE	CAVITY NUMBER
IDENTIFICAÇÃO CIRCUITO	CIRCUIT IDENTIFICATION
NÚMERO PEÇA CLIENTE	CUSTOMER PART NUMBER
REV. + LETRA REV.DES.	REV. + DWG REV.LETTER

REQ.PER ASSY	DESCRIPTION	MATERIAL	FINISH
4	ORING	SILICONE	NATURAL
3	ORING	NBR	PRETO / BLACK
2	SPACER, 10 POSN. J.P.TIMER TAB.	PBT+10% FV/GF	VIOLETA / VIOLET
1	HSG., 10 POSN. J.P.TIMER, TAB.	PA66+25GF	PRETO / BLACK
-2-	ITEM		
493571			

THIS DRAWING IS A CONTROLLED DOCUMENT.		DWN: M.R.BRIZ 10AUG98	TE Connectivity
DIMENSIONS: mm		CHK: P.L.FARIA 25SEP98	
TOLERANCES UNLESS OTHERWISE SPECIFIED:		APVD: P.R.SILVA 25MAY98	NAME: HSG. ASSY 10 POSN. JUNIOR POWER TIMER TAB
0 PLC	±	PRODUCT SPEC	
1 PLC	±0,3	APPLICATION SPEC	
2 PLC	±	SIZE: 411-37070	RESTRICTED TO
3 PLC	±	WEIGHT: -	A1 00779 ©=493571
4 PLC	±	FINISH: SEE TABLE	SCALE 2:1 SHEET 1 OF 1 REV E.3
ANGLES	±1°	Customer Drawing	

单击下面可查看定价，库存，交付和生命周期等信息

[>>TE Connectivity\(泰科\)](#)