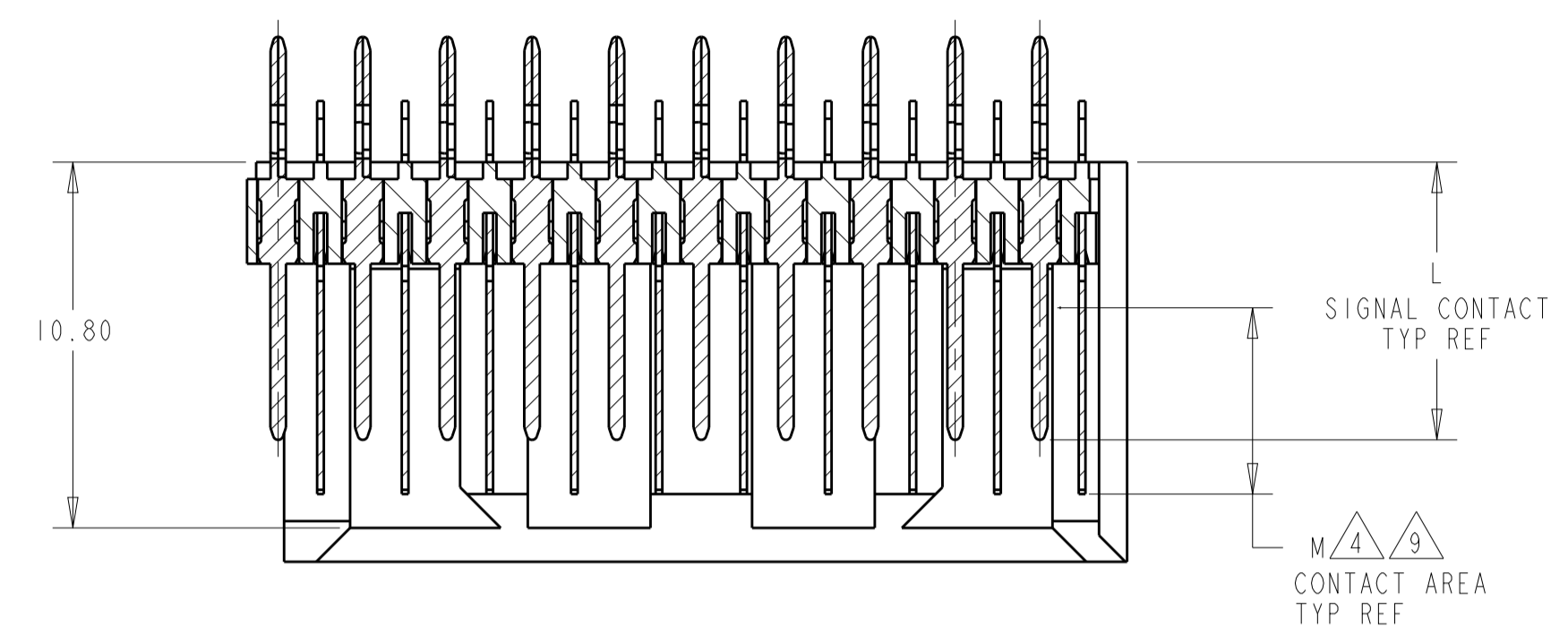
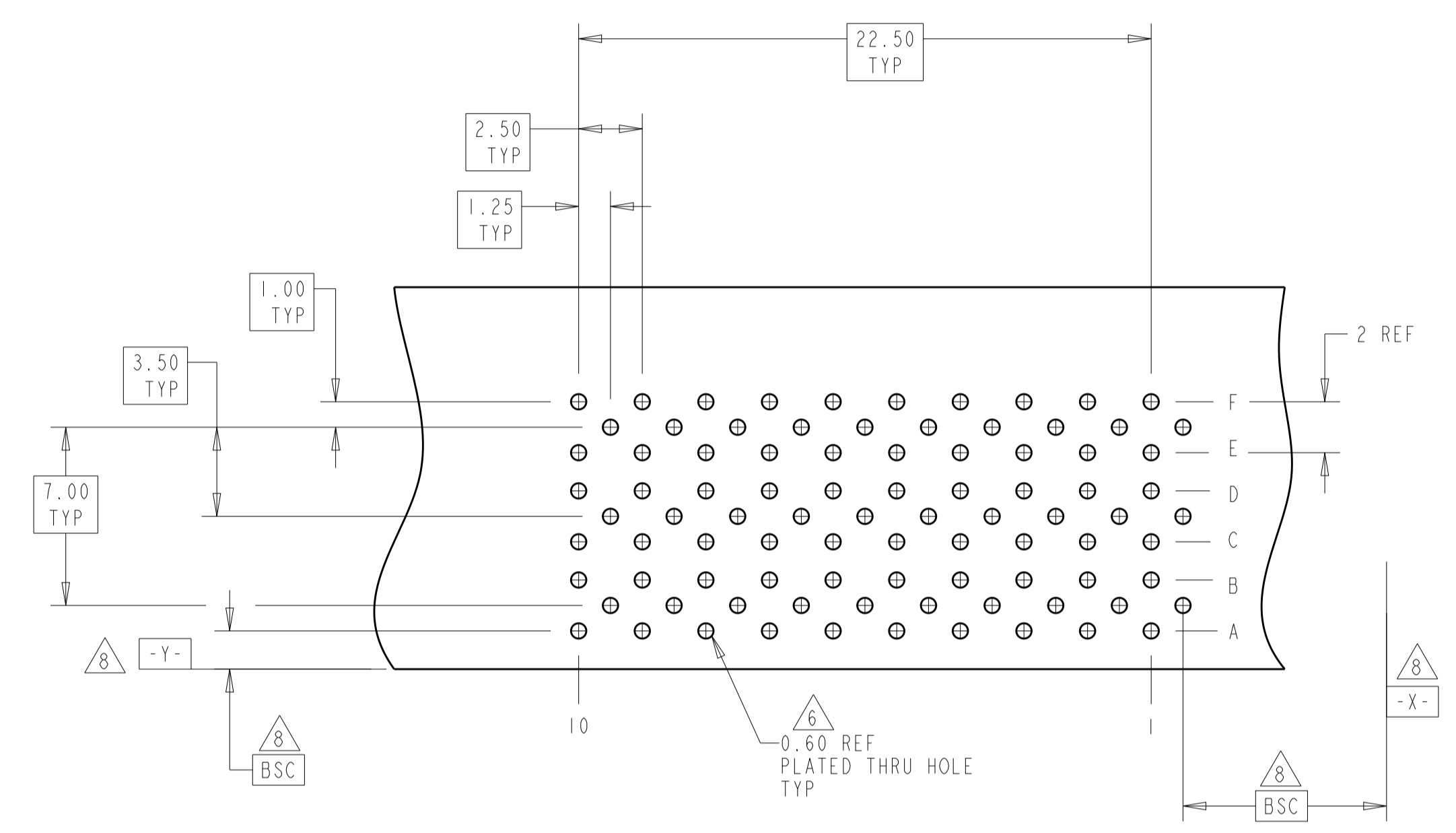
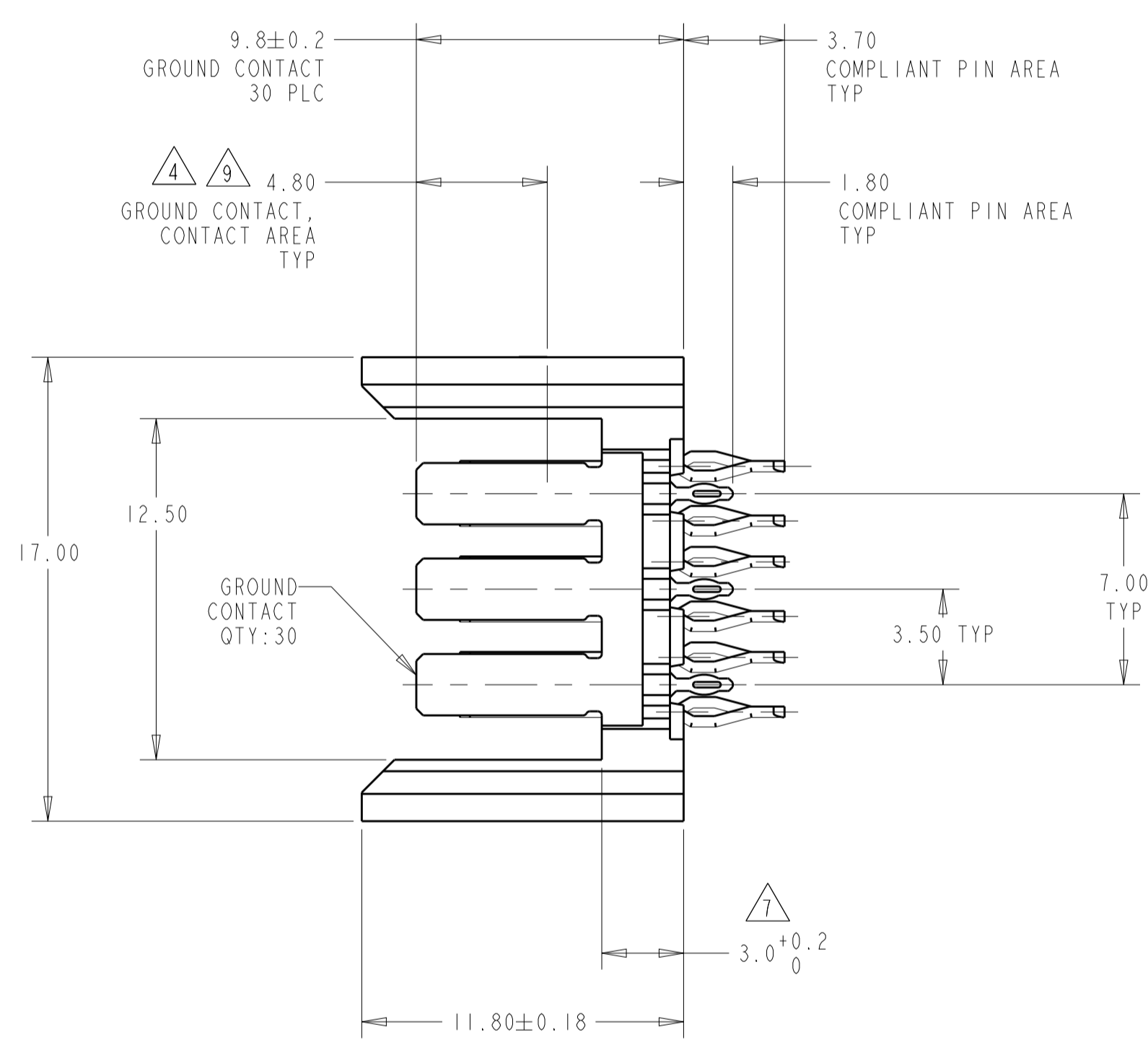
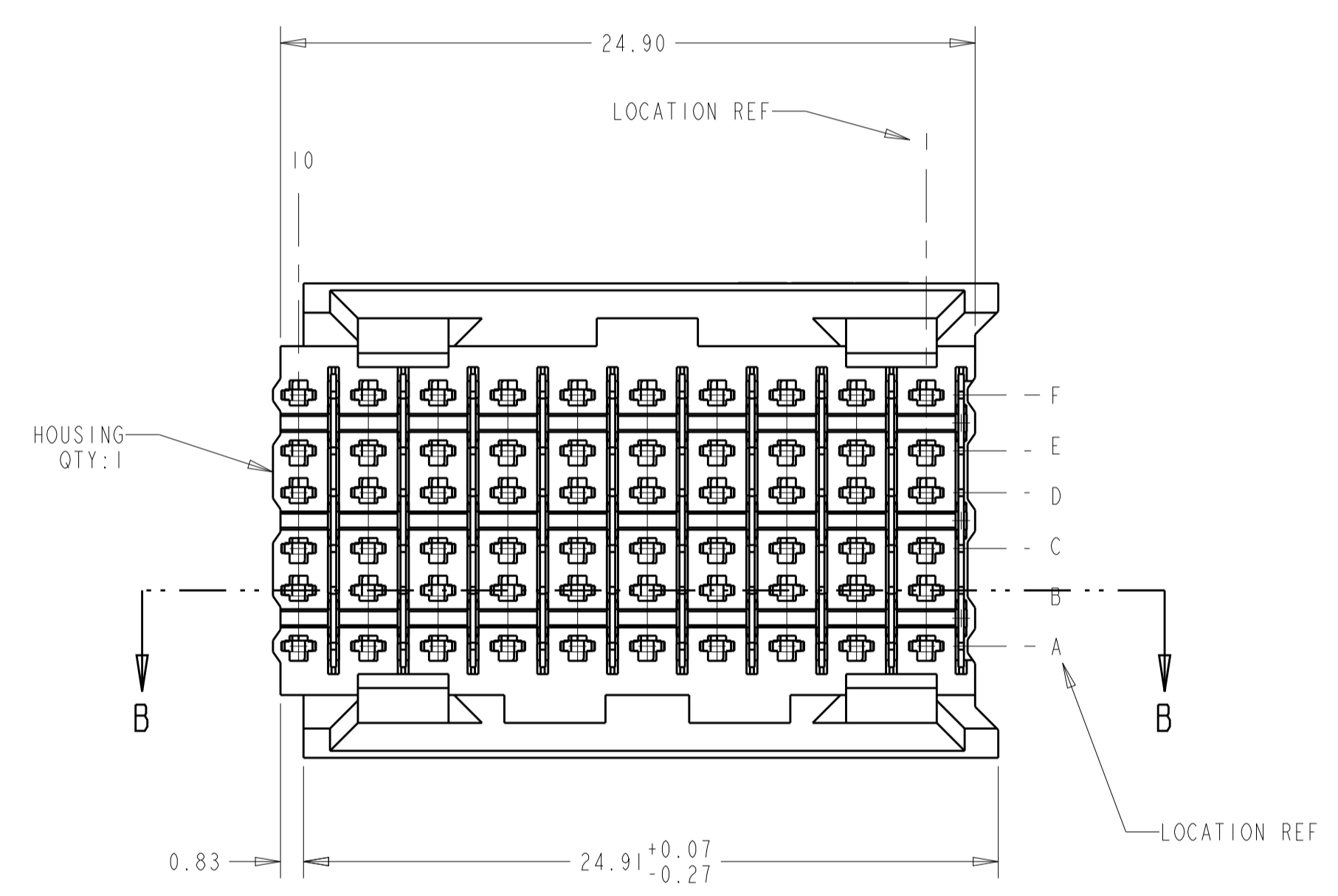


LOC	DIST	REV	DATE	BY	APPV
AD	00	B	23AUG2012	KH	JE
REVISIONS			DESCRIPTION	DATE	DWN
			REVISED PER ECO-12-006972		

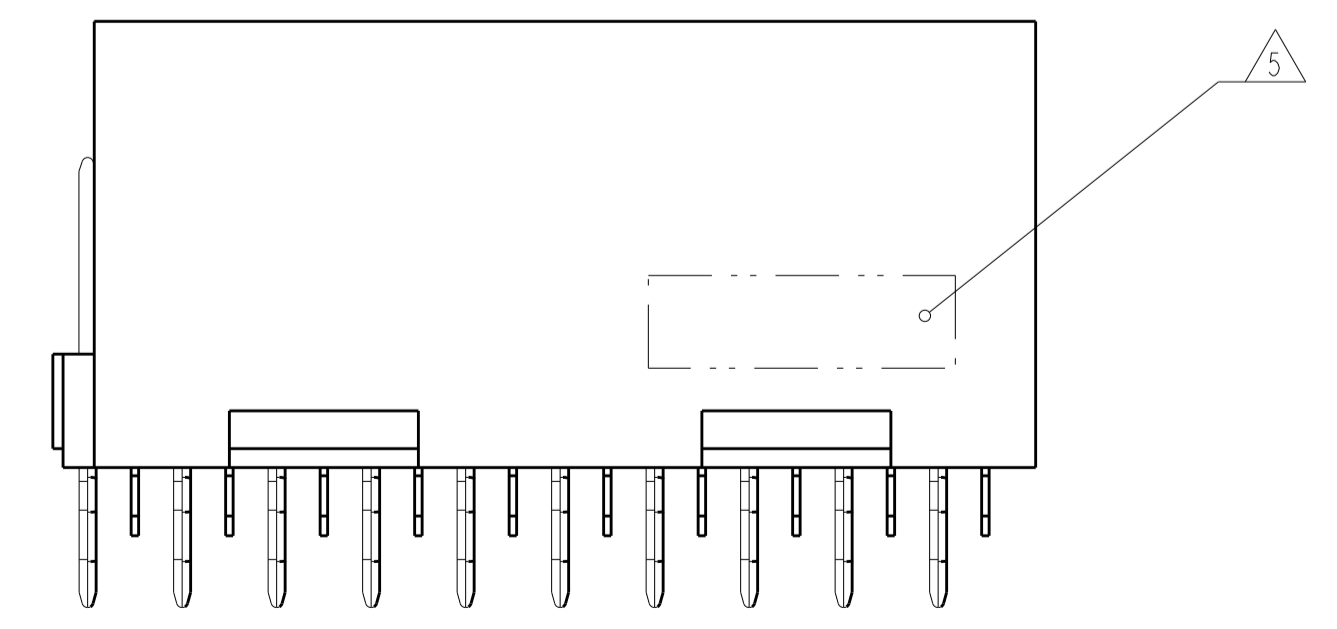
- 2 PHOSPHOR BRONZE
- 3 LCP, UL94V-0
- 4 FINISH:  
CONTACT MATING AREA MEETS THE PERFORMANCE REQUIREMENTS OF  
TE CONNECTIVITY PRODUCT SPECIFICATION 108-1957; BASED ON  
TELCORDIA GR-1217-CORE; APPLICATIONS IN UNCONTROLLED ENVIRONMENTS.  
COMPLIANT PIN AREA: 0.5µm MIN MATTE TIN OVER BASE PLATING.
- 5 CONNECTOR MARKED WITH PART NUMBER AND DATE CODE
- 6 REFERENCE APPLICATION SPEC 114-13020 FOR RECOMMENDED  
PLATED THRU HOLE DIAMETER AND PLATING THICKNESS.
- 7 APPLICATION SEATING HEIGHT TO PRINTED CIRCUIT BOARD
- 8 DATUMS AND BASIC DIMENSIONS ESTABLISHED BY CUSTOMER
- 9 CONTACT AREA LUBRICATED WITH BELLCORE APPROVED LUBRICANT  
TECHNICAL REFERENCE: GR-1217-CORE, ISSUE 1, NOVEMBER 1995



SECTION B-B



RECOMMENDED  
PRINTED CIRCUIT BOARD  
LAYOUT  
COMPONENT SIDE OF PRINTED CIRCUIT BOARD



5.50	8.2	5120737-1
M	L	PART NUMBER

THIS DRAWING IS A CONTROLLED DOCUMENT.		DWN: B. CARBO 07DEC04	TE Connectivity	
DIMENSIONS: mm		CHK: R. PATTERSON 07DEC04	NAME: HEADER ASSEMBLY, 60 POSITION, 6 ROW, BACKPLANE CONNECTOR, Z-PACK HS3	
TOLERANCES UNLESS OTHERWISE SPECIFIED:		APV: B. PATTERSON 07DEC04	SIZE: A1	
0 PLC ±	1 PLC ±	PRODUCT SPEC	CAGE CODE	DRAWING NO
2 PLC ±0.13	3 PLC ±0.05	APPLICATION SPEC	00779	5120737
4 PLC ±	ANGLES ±	RESTRICTED TO	SCALE	SHEET
MATERIAL: HOUSING: 3	FINISH: 4	WEIGHT: -	5:1	1 OF 1
CONTACTS: 2	SIGNAL CONTACT: 4	CUSTOMER DRAWING	REV	B

单击下面可查看定价，库存，交付和生命周期等信息

[>>TE Connectivity\(泰科\)](#)