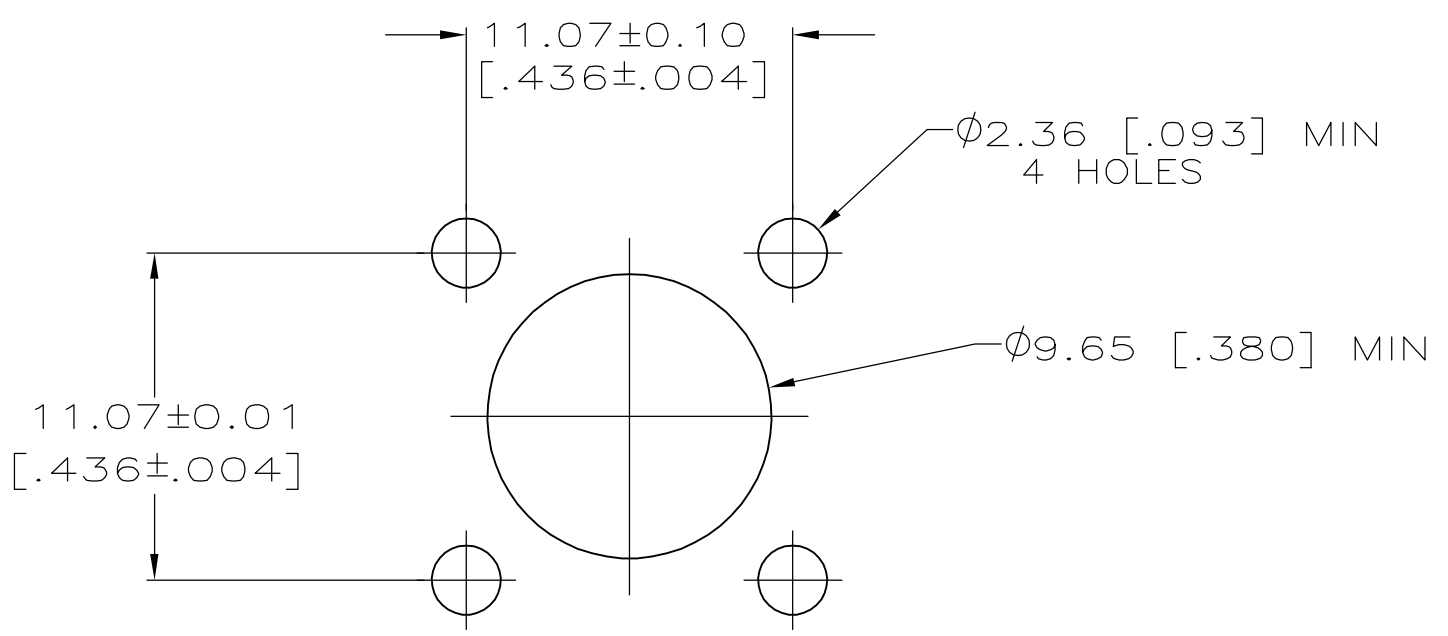
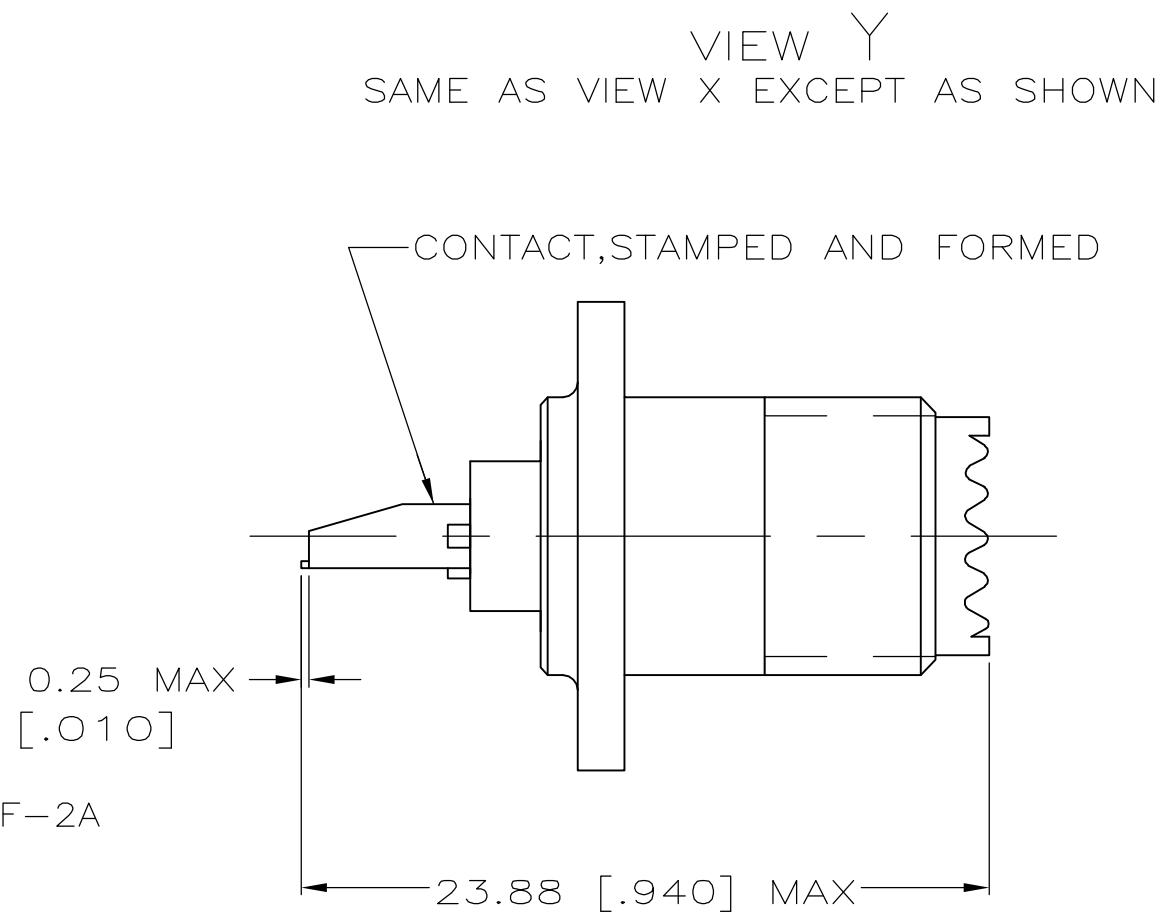
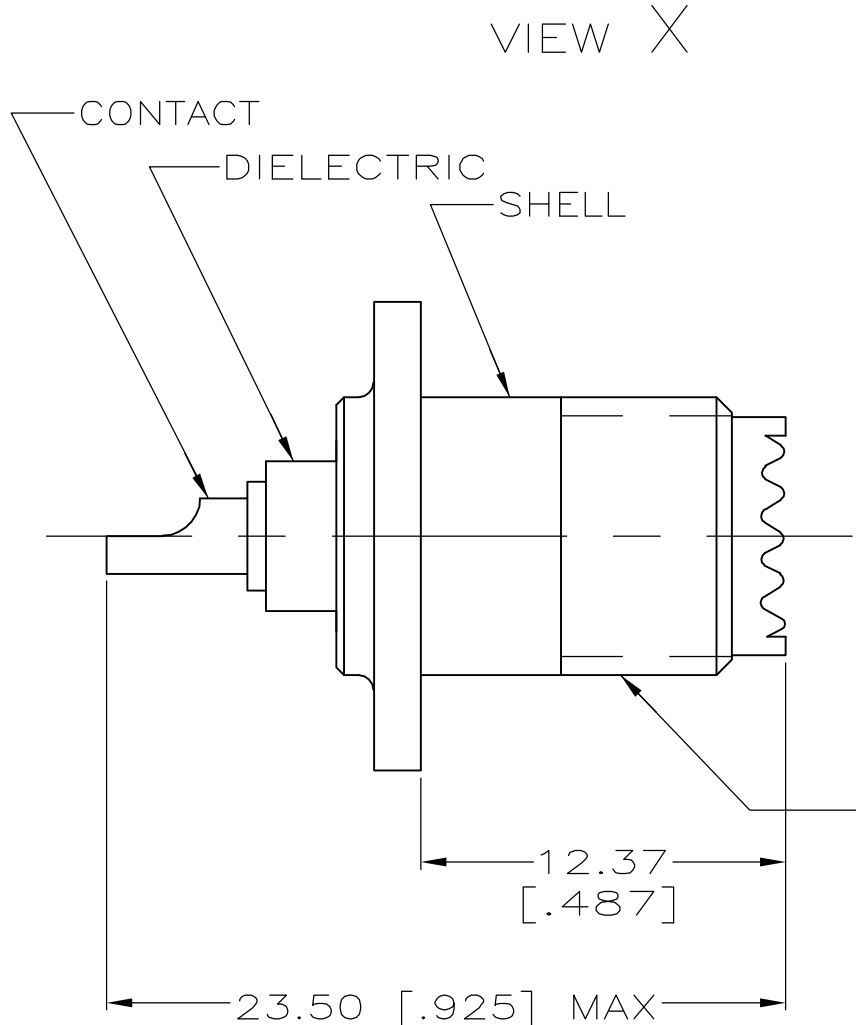
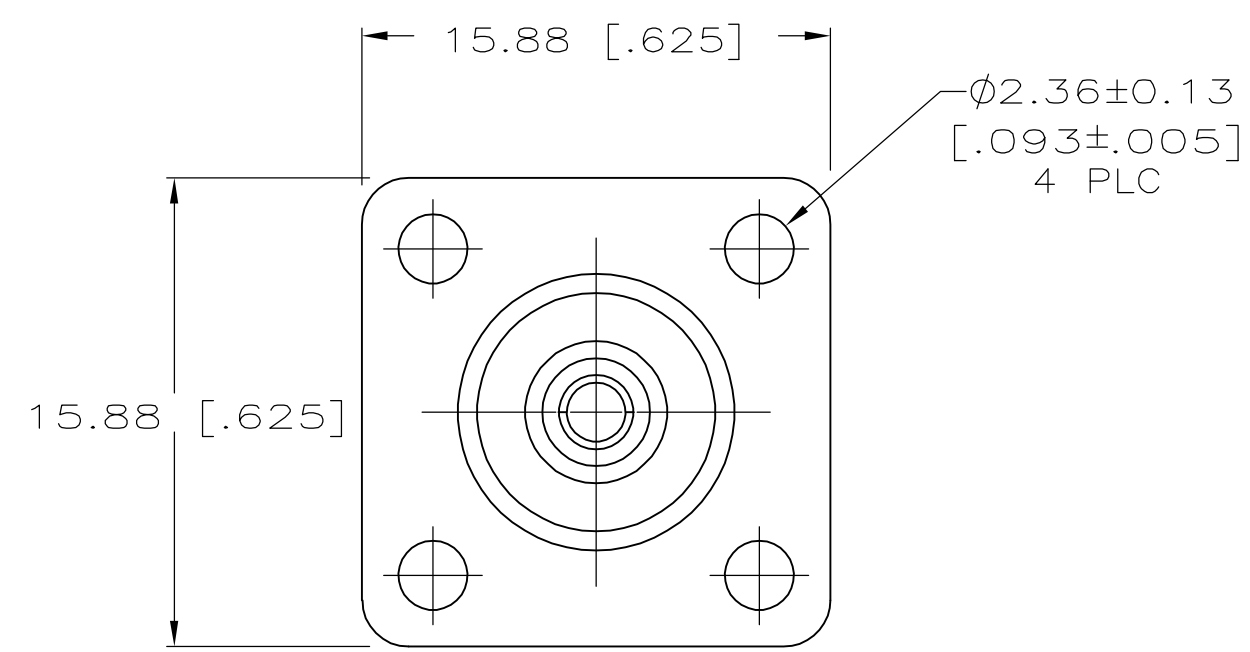


THIS DRAWING IS UNPUBLISHED. RELEASED FOR PUBLICATION
 © COPYRIGHT BY TYCO ELECTRONICS CORPORATION. ALL RIGHTS RESERVED.

LOC	DIST	REVISIONS			
P	LTR	DESCRIPTION	DATE	DWN	APVD
AJ	16	H1	REVISED PER ECO-06-018709	18SEP2006	MC JH

- 1 ZINC PER QQ-Z-363
- 2 PTFE PER MIL-P-19468
- 3 PHOS BRONZE PER QQ-B-750
- 4 POLYMETHYLPENTENE GENERAL PURPOSE
- 5 BRASS PER QQ-B-626
- 6 TIN PL PER MIL-T-10727, 3.81μm [.000150] MIN THK
- 7 TIN PL PER MIL-T-10727B TYPE 2, 2.54μm [.000100] MIN THK
- 8 NICKEL PL PER QQ-N-290, 3.81μm [.000150] MIN THK
- 9 TIN PL PER MIL-T-10727B TYPE 2, 2.54μm [.000100] MIN THK (POST PLATED)
- 10 BLACK CHROMATE PLATE OVER ZINC PLATE PER ASTM-B-633
- 11 BLACK NICKEL PLATE



RECOMMENDED PANEL CUTOUT

OBSOLETE	Y	1	10	4	3	9	226601-6
OBSOLETE	Y	1	11	4	3	9	226601-5
OBSOLETE	X	1	8	4	5	6	226601-4
	Y	1	8	4	3	9	226601-3
OBSOLETE	Y	1	8	4	3	7	226601-2
OBSOLETE	X	1	8	2	5	6	226601-1
	VIEW	SHELL	DIELECTRIC	CONTACT	PART NO		

THIS DRAWING IS A CONTROLLED DOCUMENT.		DWN	M. SNEED	6-25-91	tyco Electronics	Tyco Electronics Corporation Harrisburg, PA 17105-3608		
DIMENSIONS: INCHES		CHK	R. HENRY	6-25-91		NAME RECEPTACLE,PANEL,MINIATURE UHF		
TOLERANCES UNLESS OTHERWISE SPECIFIED:		APVD	-	-	PRODUCT SPEC			
0 PLC ± -		APPLICATION SPEC			-			
1 PLC ± -		WEIGHT			-			
2 PLC ± -		SIZE			A2			
3 PLC ± 0.20[.008]		CAGE CODE			00779			
4 PLC ± -		DRAWING NO			C=226601			
ANGLES ± -		RESTRICTED TO			-			
FINISH		SCALE			4:1			
SEE TABLE		SHEET			1 OF 1			
SEE TABLE		REV			H1			

单击下面可查看定价，库存，交付和生命周期等信息

[>>TE Connectivity\(泰科\)](#)