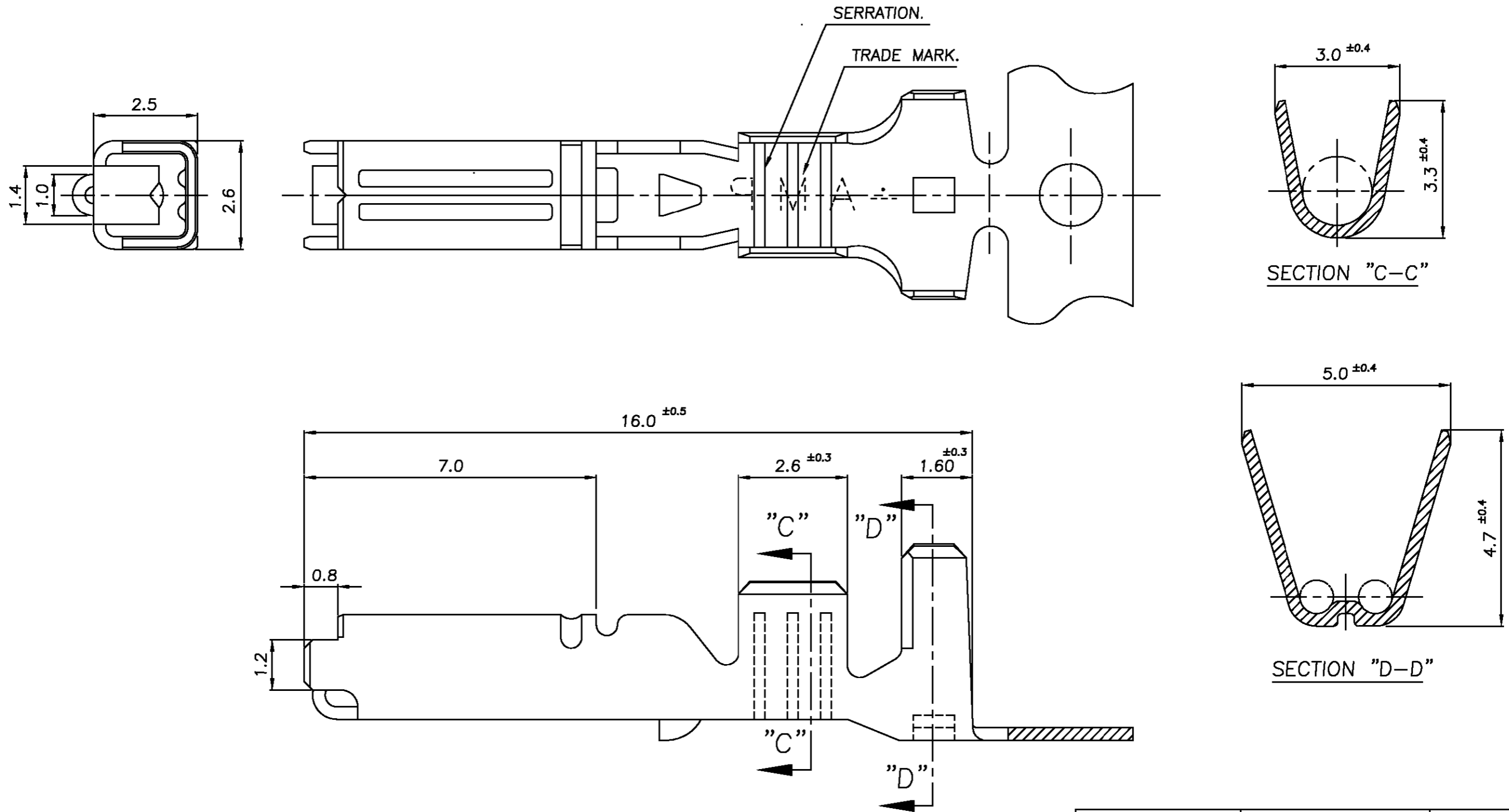


CUSTOMER DRAWING



\* NOTES;

1. TAB CONTACT P/N 85099.
2. PRODUCT SPEC. 108-5216.
3. APPLICATION SPEC. 114-5091.
4. CUSTOMER MANUAL. CM-520J(MARK-I)

PRE-TIN	BRASS 0.3t	85098 -1
FINISH	MATERIAL	PART NUMBER

© 1996 AMP MFG KOREA ALL RIGHT RESERVED AMP PRODUCTS COVERED BY PATENTS AND DR PATENTS PENDING					<b>AMP</b> AMP MFG KOREA KYUNG SAN PLANT.				
WIRE RANGE AWG No. #12 2.0 mmSQ			INSULATION DIA 2.70 DIA.		NAME "070" SERIES RECEPTACLE CONTACT.				
MATERIAL SEE TABLE			FINISH/COLOR SEE TABLE		TOLERANCES		SIZE	LDC	NUMBER
DR			APP		0<XX<10 ±0.2 10<XX<30 ±0.25 30<XX<100 ±0.3		A3	DS	8 5 0 9 8
LTR			CHK		ANGLES ±3'		SCALE	REV	SHEET
O RELEASED (RD96-289)			YM CS		DATE		10/1	0	1 of 1
LTR REVISION RECORD			DR CHK		DATE				

PRINT DIST.

单击下面可查看定价，库存，交付和生命周期等信息

[>>TE Connectivity\(泰科\)](#)