

4

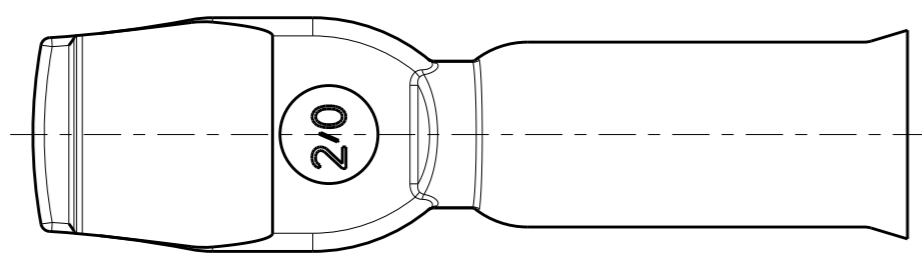
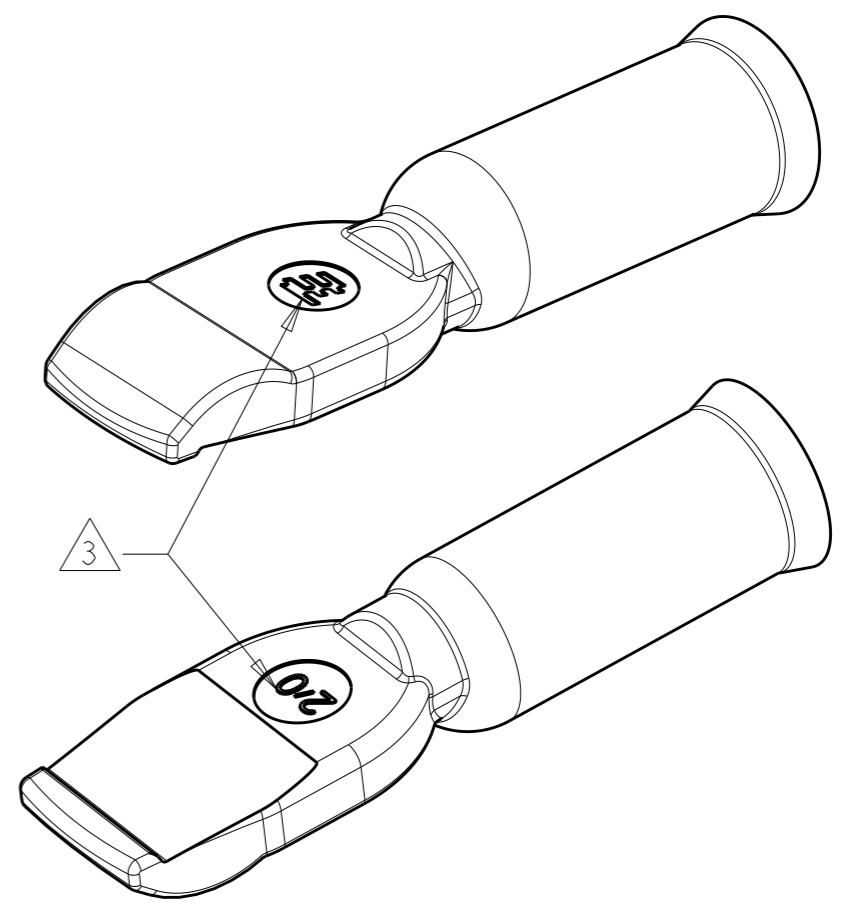
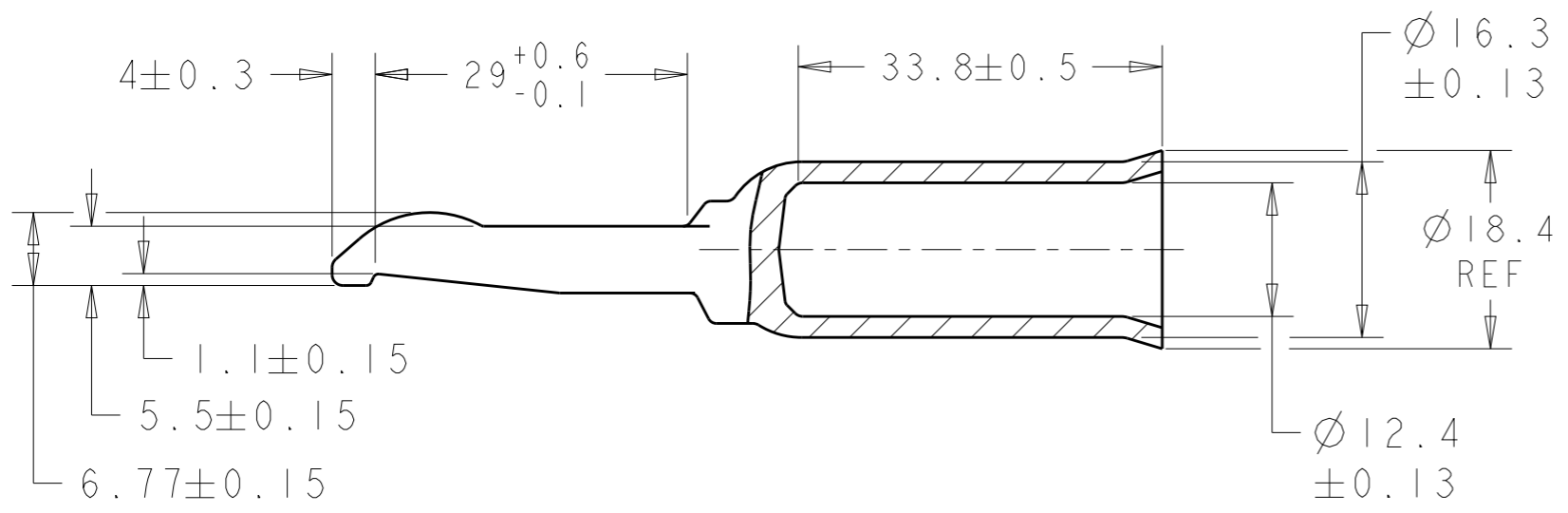
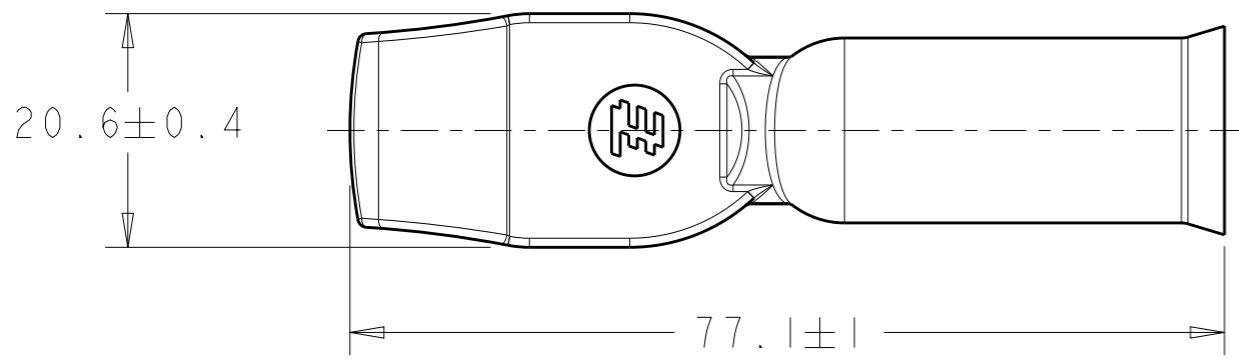
3

2

1

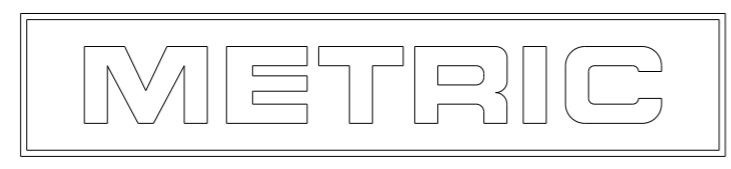
THIS DRAWING IS UNPUBLISHED. RELEASED FOR PUBLICATION 20  
 © COPYRIGHT 20 BY TYCO ELECTRONICS CORPORATION. ALL RIGHTS RESERVED.

| LOC | DIST | REVISIONS |     |                       |           |     |      |
|-----|------|-----------|-----|-----------------------|-----------|-----|------|
| CM  | 0    | P         | LTR | DESCRIPTION           | DATE      | DWN | APVD |
|     |      |           | B   | REV PER ECR 10-006756 | 01APR10   | JR  | SM   |
|     |      |           | C   | REV PER ECR-18-000415 | 19JAN2018 | RS  | SZ   |



1. MATERIAL: COPPER ALLOY
2. FINISH: PLATED SILVER
3. STAMP MARK MAY BE ROTATED

|             |             |
|-------------|-------------|
| AS SHOWN    | 1604054-1   |
| DESCRIPTION | PART NUMBER |



|  |  |   |  |  |  |
|--|--|---|--|--|--|
| <small>THIS DRAWING IS A CONTROLLED DOCUMENT FOR TYCO ELECTRONICS CORPORATION. IT IS SUBJECT TO CHANGE AND THE CONTROLLING ENGINEERING ORGANIZATION SHOULD BE CONTACTED FOR THE LATEST REVISION.</small> |  | DWN 09APR2002<br>Brent D. Yohn  |  | <b>tyco</b> Tyco Electronics<br><b>Electronics</b> Harrisburg, PA 17105-3608 |  |
| DIMENSIONS:<br>mm  |  | TOLERANCES UNLESS OTHERWISE SPECIFIED:<br>0 PLC ±-<br>1 PLC ±0.3<br>2 PLC ±0.13<br>3 PLC ±0.050<br>4 PLC ±-<br>ANGLES ±1° |  | NAME CONTACT, AMP POWER SERIES<br>350, 2/0 AWG                               |  |
| MATERIAL -   |  | FINISH -  |  | PRODUCT SPEC -<br>APPLICATION SPEC -<br>WEIGHT -                             |  |
| CUSTOMER DRAWING   |  | SCALE 3:2   |  | SHEET 1 OF 1 REV C   |  |

单击下面可查看定价，库存，交付和生命周期等信息

[>>TE Connectivity\(泰科\)](#)