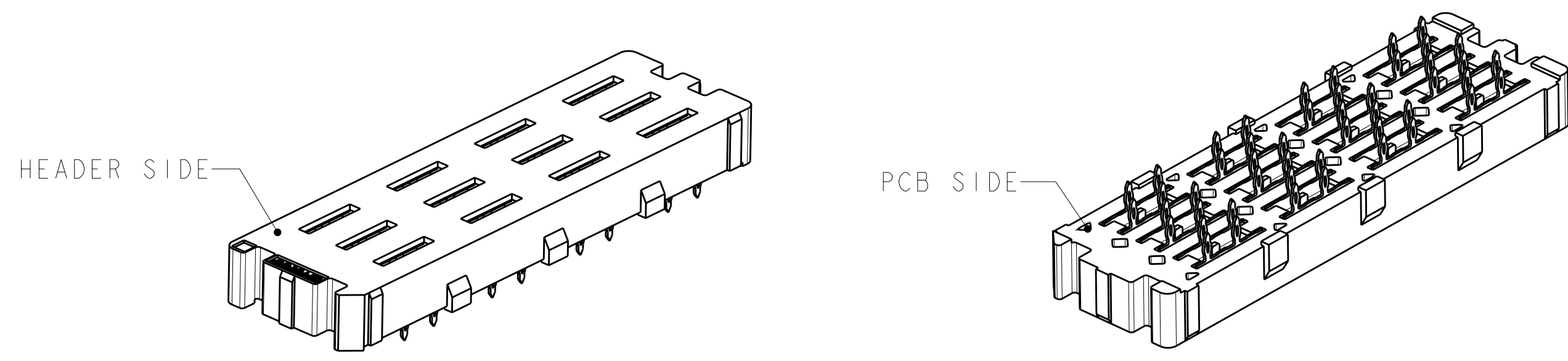
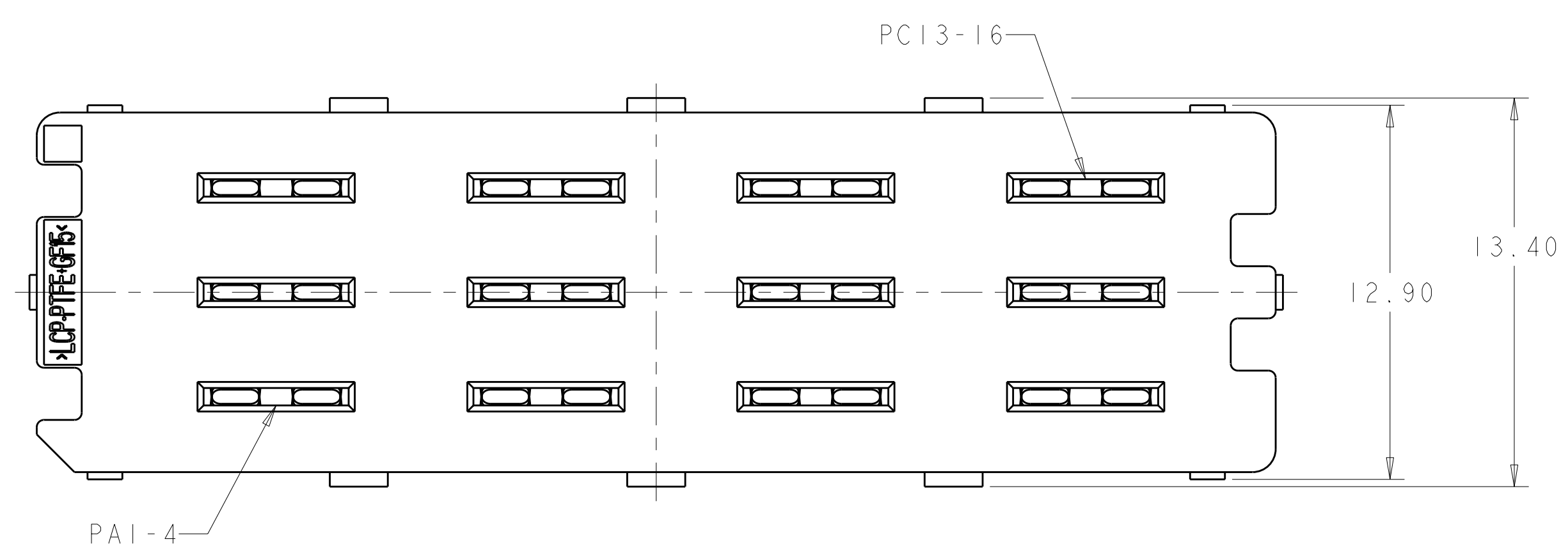


LOC	DIST	REVISIONS			
GP	00	REV	DATE	BY	APPD
		2	12JAN2011	WS	MH
		3	14MAY2012	REH	DT



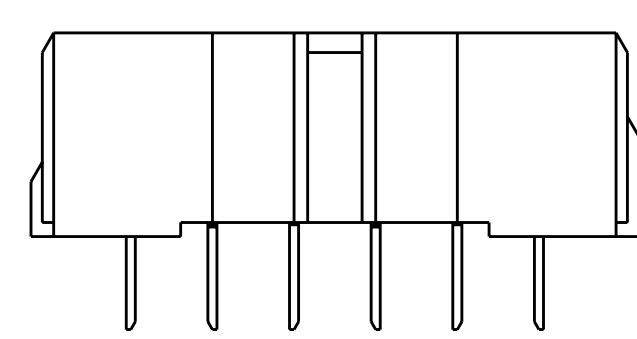
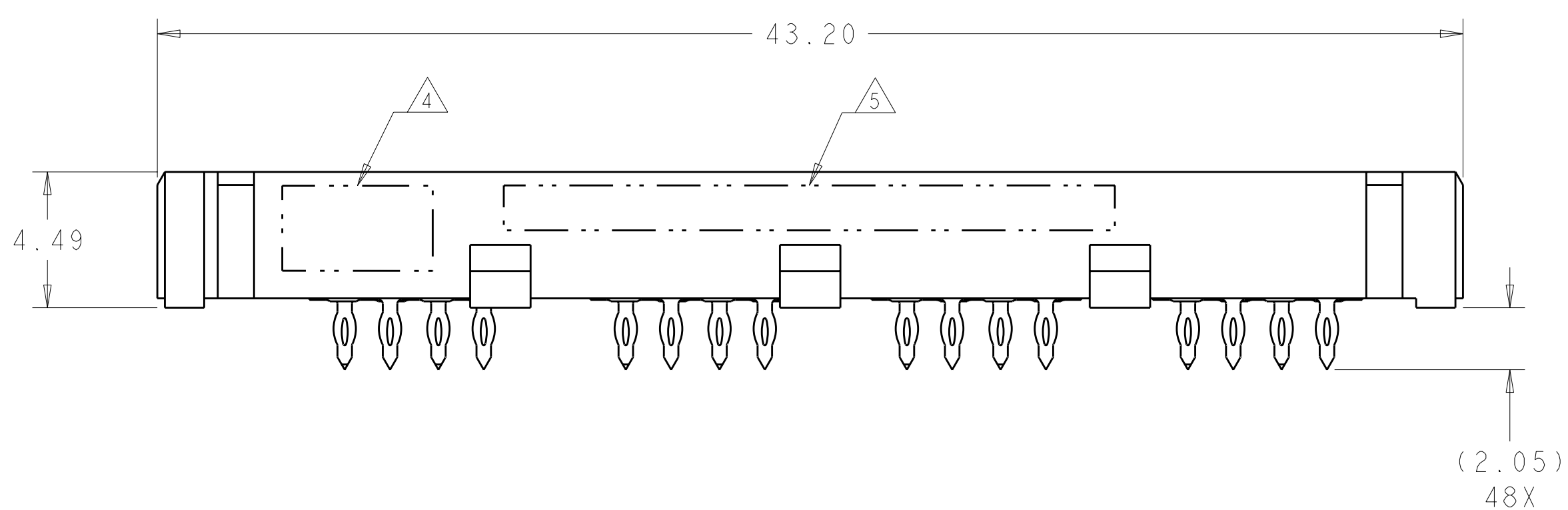
ISOMETRIC VIEWS
SCALE 3:1

- 1 MATERIAL:
HOUSING: THERMOPLASTIC, FLAMMABILITY RATING UL94 V-0
CONTACT: COPPER ALLOY
- 2. CONFORMS TO THE REQUIREMENTS OF TE PRODUCT SPECIFICATION, 108-2375; BASED ON TELCORDIA GR-1217-CORE FOR SYSTEM QUALITY LEVEL III, APPLICATIONS IN CONTROLLED ENVIRONMENTS (CENTRAL OFFICE).
SEE TE PRODUCT SPECIFICATION 108-2375 FOR TEST SEQUENCES.
- 3 SPECIFIED POSITIONAL TOLERANCE DEFINES HOLE TO HOLE LOCATION WITHIN HOLE PATTERN. POSITIONAL TOLERANCE OF HOLE PATTERN TO FIDUCIAL MARKS OR PCB DATUMS SHALL BE DEFINED BY CUSTOMER.
- 4 AREA RESERVED FOR TE CONNECTIVITY LOGO.
- 5 AREA RESERVED FOR PART NUMBER (X-XXXXXX-X) AND DATE CODE (YYWW).
- 6 USE CENTER LINES INDICATED ON PCB HOLE PATTERN TO ESTABLISH ALIGNMENT BETWEEN HEADER AND RECEPTACLE BOARDS.
- 7 PLATED THROUGH HOLE REQUIREMENTS:
HOLE SIZE PRIOR TO PLATING = $\varnothing 0.700 \pm 0.025$
COPPER PLATING THICKNESS = 0.038 ± 0.013
CALCULATED FINISHED HOLE SIZE = $\varnothing 0.624 \pm 0.051$
THESE DIMENSIONS APPLY TO THE TOP 1.50mm OF THE PCB THICKNESS FROM THE CONNECTOR MOUNTING SIDE.



SIZE 2 HALF-WIDE *
12 POWER CONTACTS

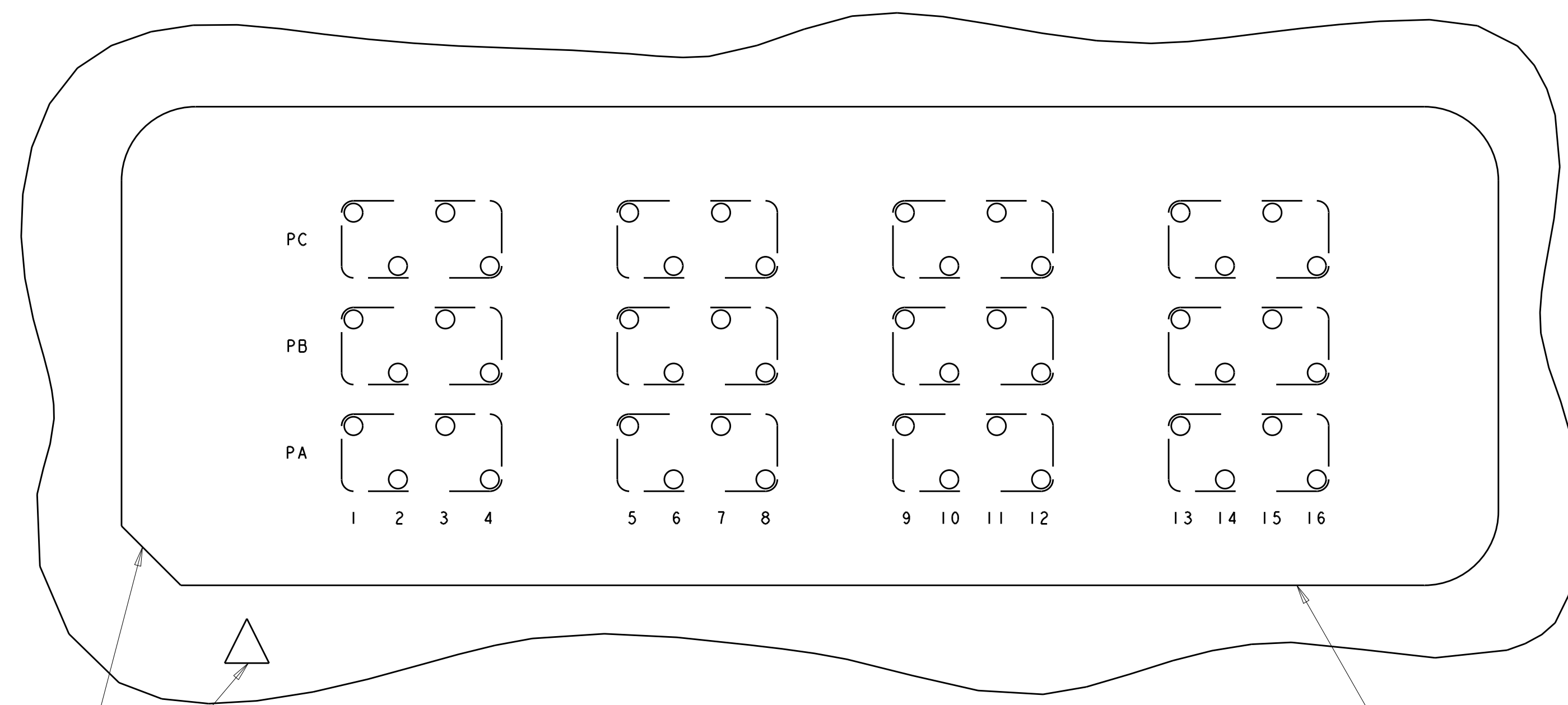
* SIZE 1 AND SIZE 3 ARE ALSO AVAILABLE



THIS PRODUCT HAS NOT COMPLETED VALIDATION AND QUALIFICATION TESTING

THIS DRAWING IS A CONTROLLED DOCUMENT.		DWN HAMNER 28OCT2010	TE Connectivity	
DIMENSIONS: mm		CHK D. TROUT 27OCT2010	RECEPTACLE ASSEMBLY, HALF-WIDE, 12P, STRADA MESA MEZZANINE CONNECTOR	
TOLERANCES UNLESS OTHERWISE SPECIFIED:		APVD J. FEDDER 27OCT2010	SIZE CAGE CODE DRAWING NO. RESTRICTED TO	
9 PLC ±		PRODUCT SPEC 108-2375	A100779C=2149531	
1 PLC ±0.13		APPLICATION SPEC 114-13249	SCALE 6:1 SHEET 1 OF 3 REV 3	
3 PLC ±0.013		WEIGHT -		
4 PLC ±		CUSTOMER DRAWING		
ANGLES FINISH #1				

LOC	DIST	REVISIONS			
		REV	DATE	BY	APPD
GP	00	1	-	SEE SHEET 1	-




MATED CONNECTOR OUTLINE
SEE SHEET 3 FOR LOCATION TO HOLES

A1 CORNER
INDICATORS.

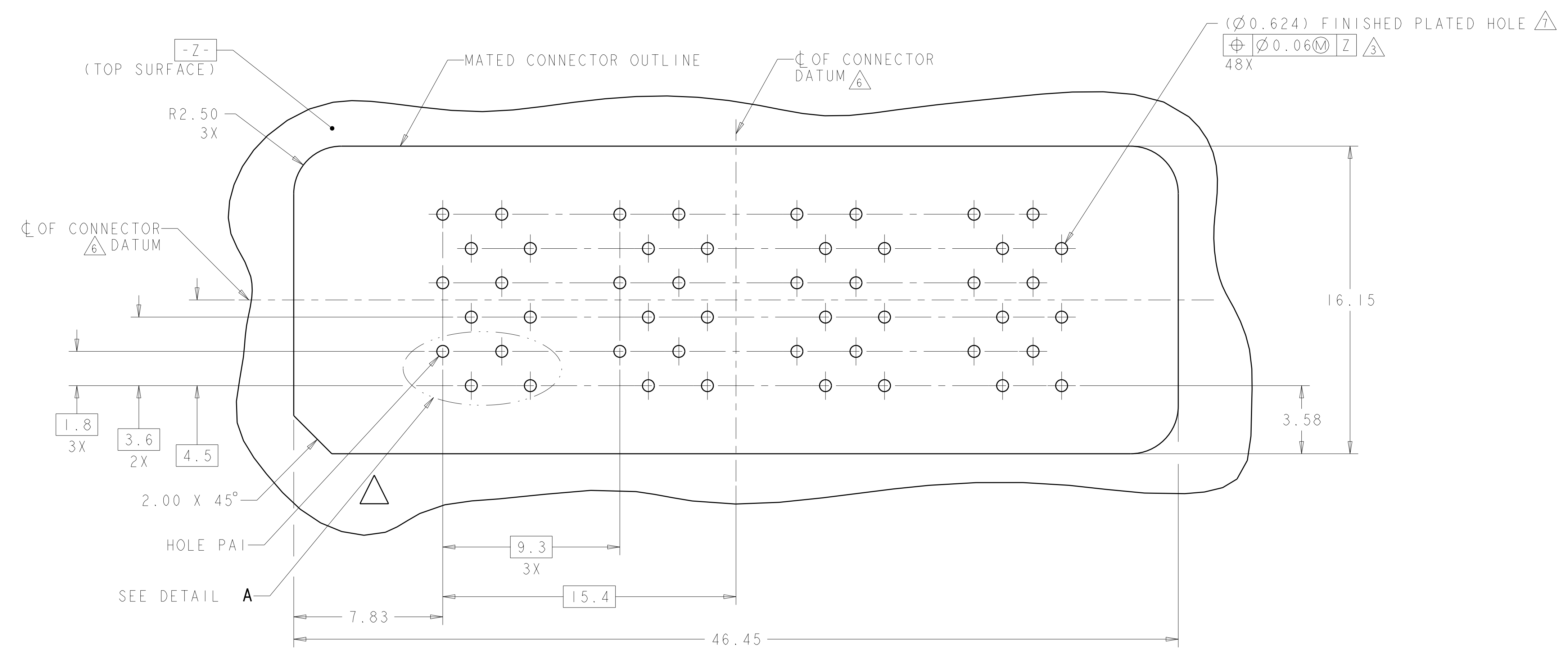
PCB LAYOUT AND PIN IDENTIFICATION

SHOWN FROM CONNECTOR SIDE
SCALE 7:1

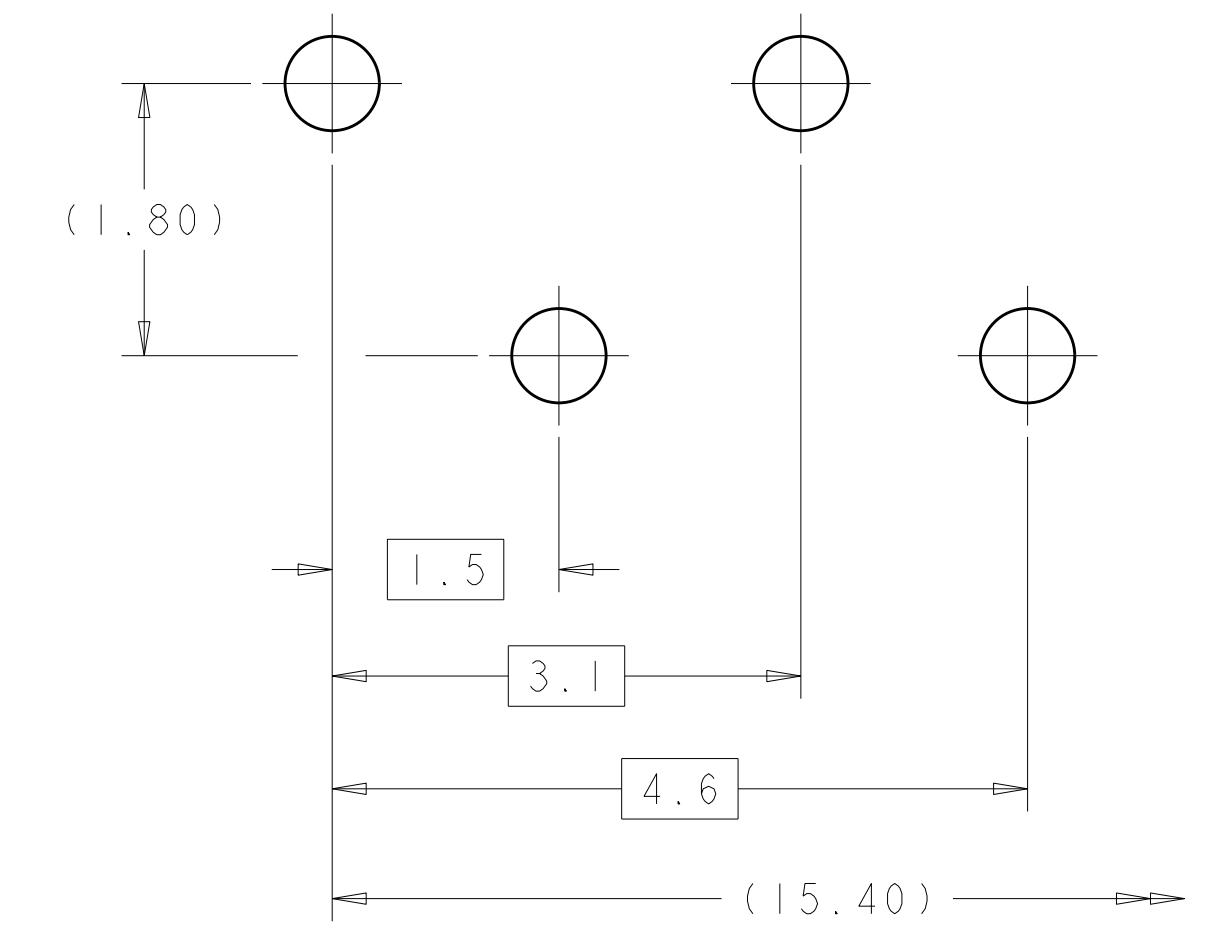
THIS DRAWING IS A CONTROLLED DOCUMENT.		DWN HAMNER	28OCT2010	 TE Connectivity
DIMENSIONS: mm		CHK D. TROUT	27OCT2010	
TOLERANCES UNLESS OTHERWISE SPECIFIED:		APVD FEDEER	27OCT2010	NAME RECEPTACLE ASSEMBLY, HALF-WIDE, 12P, STRADA MESA MEZZANINE CONNECTOR
9 PLC ± 2 PLC ± 3 PLC ±0.13 4 PLC ± ANGLES ± FINISH #1		PRODUCT SPEC 108-2375	APPLICATION SPEC 114-13249	SIZE CAGE CODE DRAWING NO A100779C=2149531
MATERIAL		WEIGHT		RESTRICTED TO
			CUSTOMER DRAWING	SCALE 6:1 SHEET 2 OF 3 REV 3

LOC	DIST	REV	DATE	BY	APPD
GP	00				

REVISIONS					
NO.	DESCRIPTION	DATE	BY	APPD	REV
1	SEE SHEET 1	-	-	-	-



PCB HOLE PATTERN
 SHOWN FROM CONNECTOR SIDE
 SCALE 7:1



DETAIL A
 12X
 SCALE 20:1

THIS DRAWING IS A CONTROLLED DOCUMENT.		DWN: HAMNER 28OCT2010	 TE Connectivity
DIMENSIONS: mm		CHK: D. TROUT 27OCT2010	
TOLERANCES UNLESS OTHERWISE SPECIFIED:		APVD: FEEDER 27OCT2010	
9 PLC ± 2 PLC ±0.13 5 PLC ±0.013 4 PLC ± ANGLES ±#1		NAME: RECEPTACLE ASSEMBLY, HALF-WIDE, 12P, STRADA MESA MEZZANINE CONNECTOR	
MATERIAL: -	FINISH: -	PRODUCT SPEC: 108-2375	RESTRICTED TO:
		APPLICATION SPEC: 114-13249	SIZE: A100779
		WEIGHT: -	DRAWING NO: C=2149531
		CUSTOMER DRAWING	SCALE: 6:1 SHEET: 3 OF 3 REV: 3

单击下面可查看定价，库存，交付和生命周期等信息

[>>TE Connectivity\(泰科\)](#)