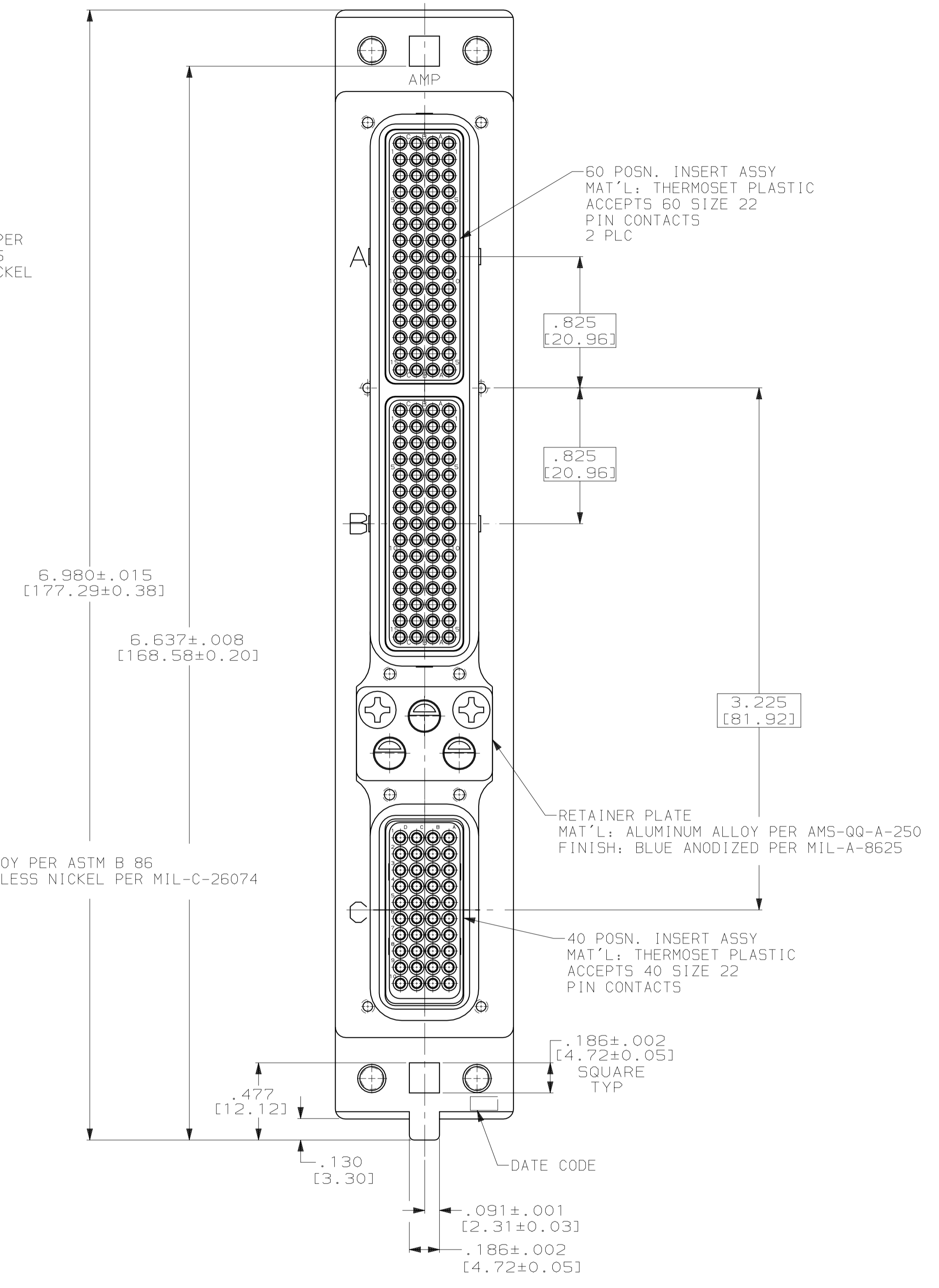
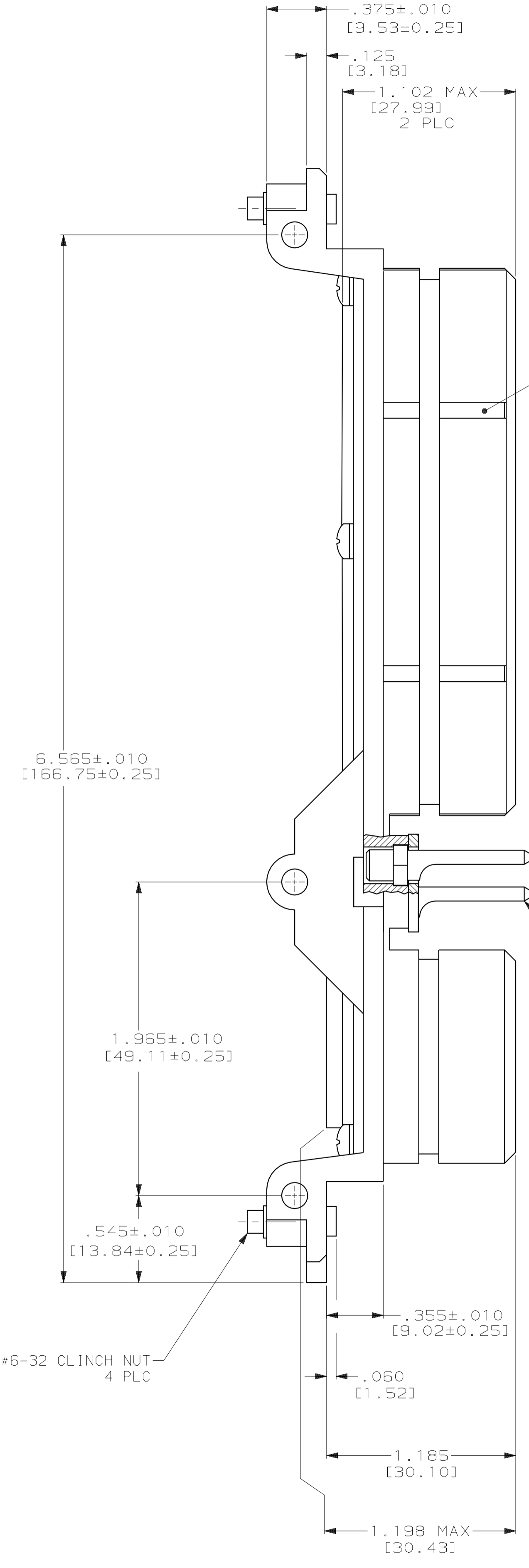
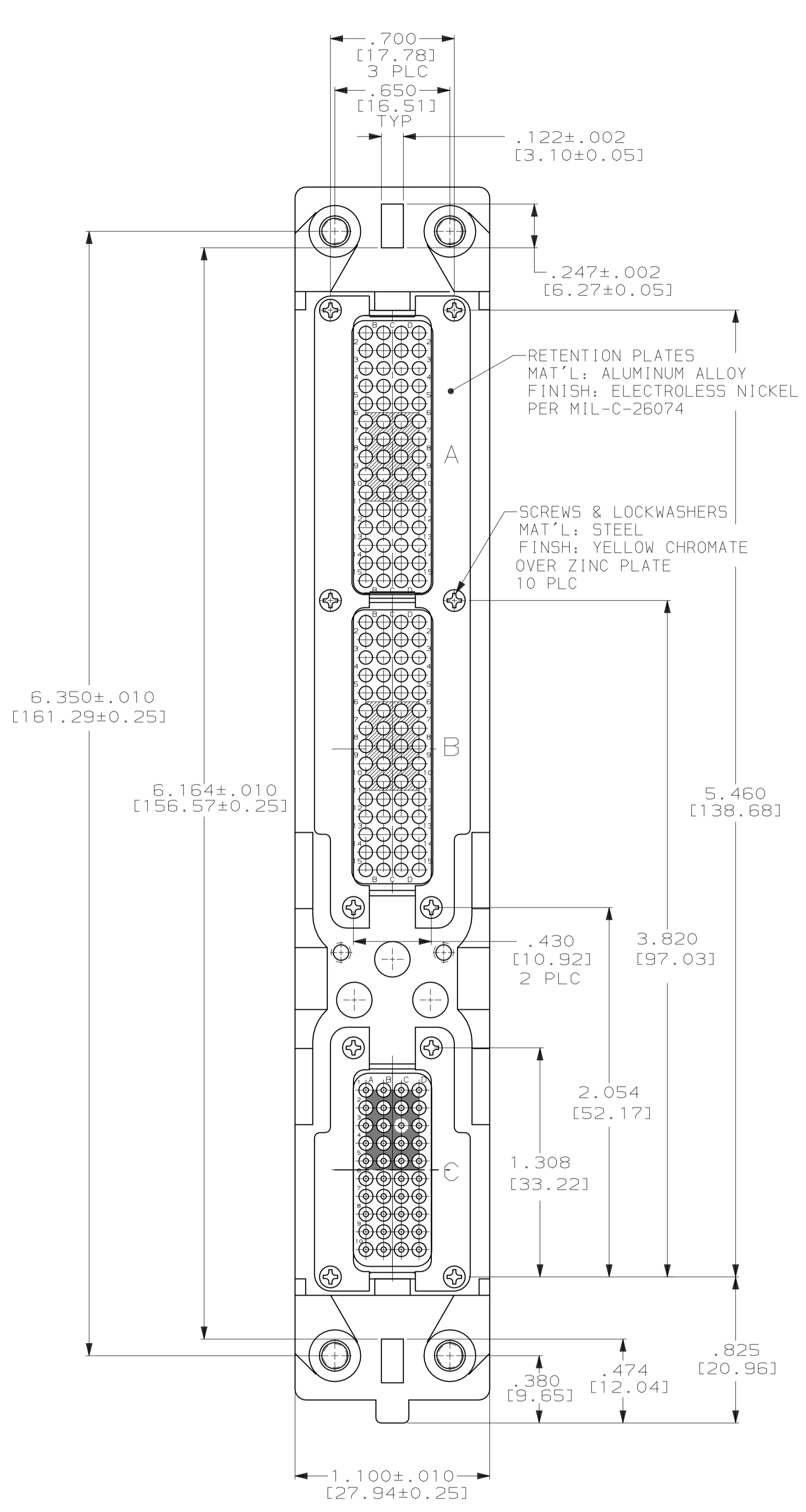


LOC		DIST		REVISIONS			
DF	AO	P	LFR	DESCRIPTION	DATE	DWN	APVD
		0		RELEASED	2-04	CT	SG



- CONNECTOR ASSEMBLED IN ACCORDANCE WITH ARINC 600 SPECIFICATION.
- KEYING SHOWN IN POSITION "01" FOR REFERENCE ONLY. CONNECTOR IS KEYED IN POSITION PER TABLE. FOR "00" KEYING, KEY HARDWARE PACKAGED UNASSEMBLED IN A SEPARATE CONTAINER.

"00"	NIC66FN15A00CB1	1757040-1
KEYING POSITION	DESCRIPTIVE NUMBER	PART NUMBER

THIS DRAWING IS A CONTROLLED DOCUMENT.

DIMENSIONS: INCHES (mm)	TOLERANCES UNLESS OTHERWISE SPECIFIED:	DWN C.C. THOMAS 2-10-04	TYCO Electronics Harrisburg, PA 17105-3608
0 PLC ±.005 [0.13]	1 PLC ±.005 [0.13]	CHK S. GLATFELTER 2-10-04	
MATERIAL	FINISH	APVD S. GLATFELTER 2-10-04	PRODUCT SPEC
SEE CALLOUTS	SEE CALLOUTS	APPLICATION SPEC	PLUG ASSY, SIZE 1, ARINC 600
		WEIGHT	SIZE CASE CODE DRAWING NO. RESTRICTED TO
		CUSTOMER DRAWING	A1 00779 1757040

SCALE 2:1 SHEET 1 OF 1 REV 0

单击下面可查看定价，库存，交付和生命周期等信息

[>>TE Connectivity\(泰科\)](#)