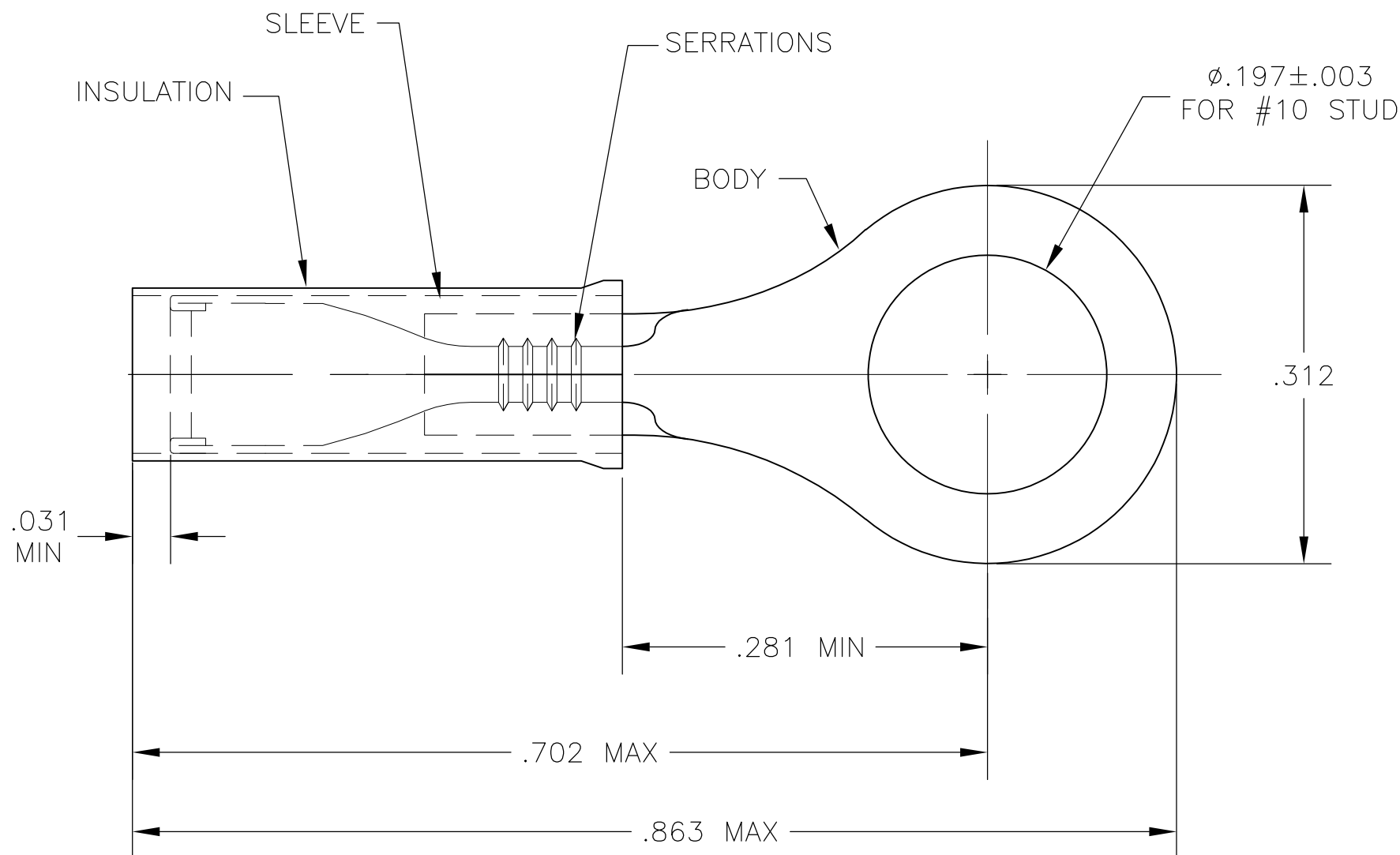


THIS DRAWING IS UNPUBLISHED. RELEASED FOR PUBLICATION
 © COPYRIGHT BY TYCO ELECTRONICS CORPORATION. ALL RIGHTS RESERVED.

LOC	DIST	REVISIONS					
G	14	P	LTR	DESCRIPTION	DATE	DWN	APVD
			C1	REV PER ECR 09-026074	30NOV09	JR	TM



- 1 TONGUE MATERIAL THK IS $.027 \pm .001$
- 2 FOR $.050$ TO $.105$ WIRE INS. DIA.
- 3 MUST BE CRIMPED WITH 22-18 OR 22-16 PIDG (RED) TOOL.

4 MEETS MS25036-147, CLASS 1 & 2

5 MEETS MS25036-147, CLASS 2

2500	ON TAPE, REEL	5 54312-2	BODY: COPPER ASTM B152 TIN PL PER ASTM B545 SLEEVE: COPPER ASTM B152 TIN PL PER ASTM B545 INSULATION: NYLON, COLOR: YELLOW
1000	LOOSE PIECE	4 54312-1	
QTY	PACKAGE TYPE	PART NO	MATERIAL & FINISH

THIS DRAWING IS A CONTROLLED DOCUMENT.		DWN JR RUTH 27JAN04	Tyco Electronics Corporation Harrisburg, Pa 17105-3608													
DIMENSIONS: INCHES		CHK T MICHIELUTTI 27JAN04	NAME TERMINAL, NYLON PIDG, RING TONGUE; WIRE SIZE 26-24													
TOLERANCES UNLESS OTHERWISE SPECIFIED:		APVD T MICHIELUTTI 27JAN04	PRODUCT SPEC -													
<table border="0"> <tr><td>0 PLC</td><td>± -</td></tr> <tr><td>1 PLC</td><td>± -</td></tr> <tr><td>2 PLC</td><td>± -</td></tr> <tr><td>3 PLC</td><td>± .008</td></tr> <tr><td>4 PLC</td><td>± -</td></tr> <tr><td>ANGLES</td><td>± 1°</td></tr> </table>		0 PLC	± -	1 PLC	± -	2 PLC	± -	3 PLC	± .008	4 PLC	± -	ANGLES	± 1°	APPLICATION SPEC -		RESTRICTED TO -
0 PLC	± -															
1 PLC	± -															
2 PLC	± -															
3 PLC	± .008															
4 PLC	± -															
ANGLES	± 1°															
MATERIAL SEE TABLE	FINISH SEE TABLE	WEIGHT -	SIZE A3	CAGE CODE 00779												
CUSTOMER DRAWING			DRAWING NO C-54312	SCALE 8:1												
			SHEET 1	OF 1												
			REV C1													

单击下面可查看定价，库存，交付和生命周期等信息

[>>TE Connectivity\(泰科\)](#)