

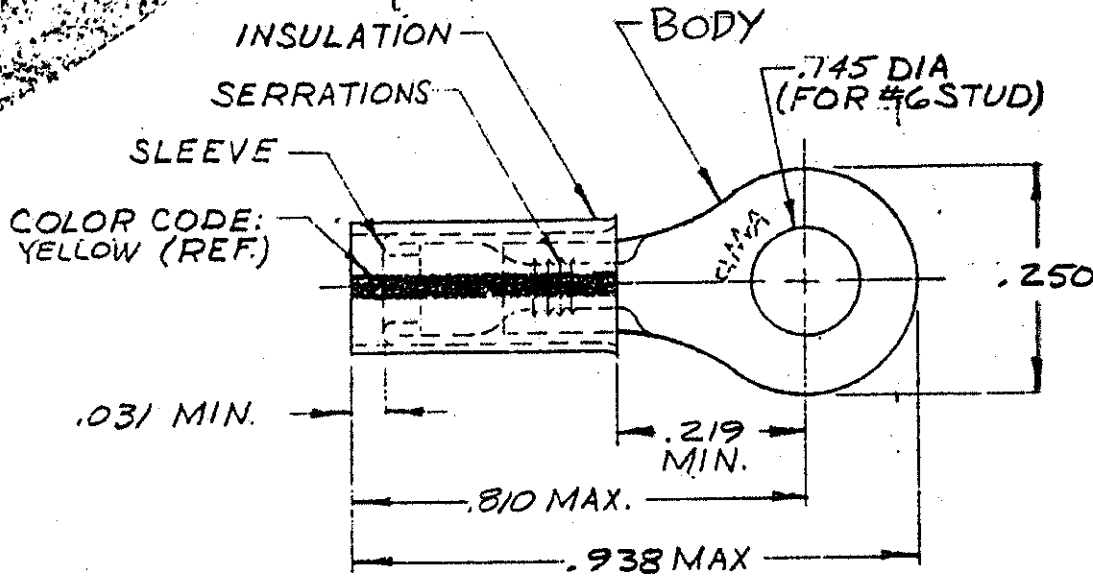
LOC G D.F.S.J 14

DRAWING MADE IN THIRD ANGLE PROJECTION

© COPYRIGHT 1978 BY AMP INCORPORATED, HARRISBURG, PA. ALL INTERNATIONAL RIGHTS RESERVED. AMP INCORPORATED PRODUCTS COVERED BY U.S. AND FOREIGN PATENTS AND OR PATENTS PENDING.

REVISIONS				
LTR	DESCRIPTION	DATE	APPROVED	R/F
G	REV PER 063A-0246-99	15 Nov 79	NR/CP	✓
H	REV PER 063A-0582-04	9/04	NR/TM	✓


54593-1



TONGUE MATERIAL THK. = .039 ± .002 FOR .150 TO .230 WIRE INS. DIA.

BODY: COPPER ASTM B152,  
‡ TIN/LEAD (93-7) PLATE PER  
‡ ASTM B545 (3% MIN LEAD CONTENT)  
SLEEVE:  
INSULATION: PVF<sub>2</sub>  
COLOR: TRANSLUCENT

54593-1

MATERIAL & FINISH		PART NO. ON TAPE		PART NO	
UNLESS OTHERWISE SPECIFIED DIMENSIONS ARE IN INCHES. TOLERANCES ON: DECIMALS ±.008 ANGLES ±5°	CONTRACT NO	 AMP INCORPORATED Harrisburg, Pa.			
	OR C. Kuster 3-2-78				
MATERIAL SEE TABLE	CHK T. J. 3-2-78	NAME WIRE TERMINAL PVF <sub>2</sub> - PIDG - RING TONGUE WIRE SIZE: 12-10			
FINISH SEE TABLE	APPD	SIZE A	CODE IDENT NO 00779	NUMBER 54593	
	DSGN APPD J. P. Benschaw 3-2-78	SCALE NTS		SHEET 1 OF 1	

AMP 1469-32 (1-73)

CUSTOMER DRAWING

单击下面可查看定价，库存，交付和生命周期等信息

[>>TE Connectivity\(泰科\)](#)