



CODE 18 - HEAT SHRINK BOOT BACKSHELL

218M632A19B

SERIES _____
 DASH NUMBER (TABLE 1) _____
 MANUFACTURER CODE _____
 SEE TABLE 2
 MATERIAL _____
 REFER TO CH00-0250-004
 FINISH _____
 REFER TO CH00-0250-004

NOTES:

1. THIS PRODUCT IS DESIGNED TO TERMINATE A HEAT SHRINKABLE LIPPED BOOT TO A CONNECTOR.
 2. FOR ADDITIONAL DIMENSIONS, ORDERING INFORMATION AND MODIFICATION, SEE CH00-0250-004.
 3. BACKSHELL TO BE PERMANENTLY MARKED/BAGGED AND LABELLED WITH CODE IDENTIFICATION NUMBER AND PART NUMBER. (e.g. 06090-218M612-19B).
 4. BACKSHELL MATES TO MIL-DTL-5015, CLASS A, E & R, MS3100, MS3101 & MS3106. RESILIENT INSERT, SOLDER TYPE AND BENDIX 10-214, CANNON CA-RX COMMERCIAL CRIMP TYPE (LESS ENDBELL).
- ⑤ ALL THREAD SIZES FOR ORDER APPLY.
- ⑥ ADDITIONAL PIECE(S) SUPPLIED WHEN CONNECTOR MFR IS UNKNOWN (D IN TABLE 2)
- ⑦ ANTI-ROTATIONAL SET SCREW, THREE #4-40 THREADED HOLES 120° APART, SINGLE MATING SET SCREW SUPPLIED.

If this document is printed it becomes uncontrolled. Check for the latest revision

DRAWN	K.WINCZURA	DATE 26/05/2015		3RD ANGLE PROJECTION NOT TO SCALE	TITLE: HEAT SHRINK BOOT BACKSHELL	
CHECKED		26/05/2015				
APPROVED	K.SHEPPARD	27/04/2015	UNLESS OTHERWISE SPECIFIED ALL DIMENSIONS IN MILLIMETRES GENERAL TOL LINEAR +/-0.25MM ANGULAR +/- 1°			
APPROVED	H.SMITH	02/09/2015				
REVISIONS						
LTR	DESCRIPTION	DATE	APPROVED	ASSY USED ON: MIL-DTL-5015D		
H	REVISED PER ECN AD93111					
J	REVISED PER ECO-15-012672	02/09/2015	H.SMITH			
TE CAGE CODE: 06090 POLAMCO/TE CAGE CODE: U5792				TE CONNECTIVITY - POLAMCO LTD RESERVES THE RIGHT TO AMEND THIS DRAWING AND TO INDEPE	DRAWING NO: 218M6XX	DRAWING REV: J
				Downloaded From Oneyac.com	SHOULD OR THEIR APPLICATION.	SHT 1

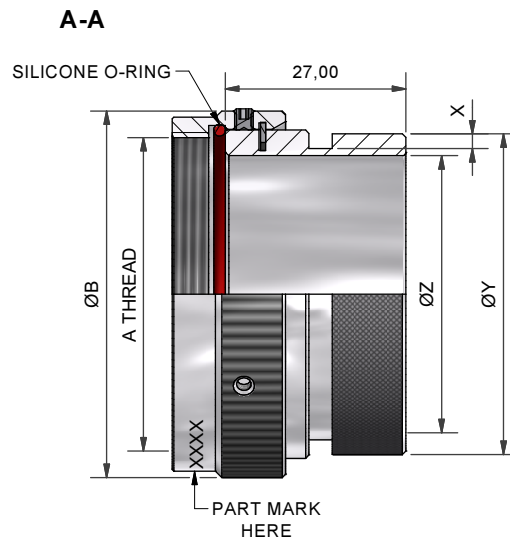
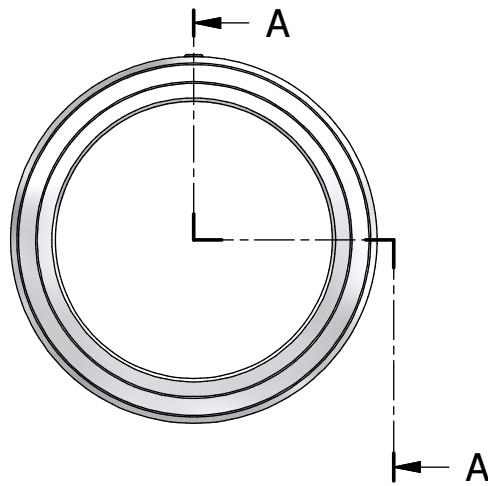
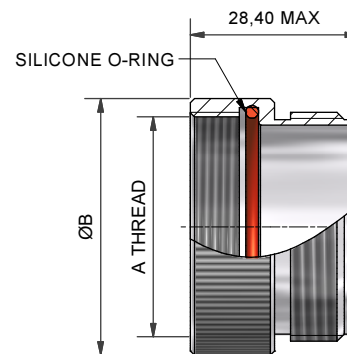


TABLE 1

ORDER NUMBER	SHELL SIZE	MFR CODE TABLE 3	A THREAD	ØB MAX	ØZ	ØY MAX	X +0,20/-0,00
08	8S	B	3/8-32 UNEF	18,5	6,2	13,0	1,12
	8S	C	7/16-28 UNEF	18,0	8,0	13,0	1,12
	8S	A, R	7/16-27 UNS	18,5	8,0	13,0	1,12
	8S	D (6)	(5)	18,5	8,0	13,0	1,12
10	10S	-	1/2-28 UNEF	19,8	9,5	15,0	1,12
11	10SL	C	9/16-24 UNEF	21,6	11,2	16,0	1,12
	10SL	A, B, R	5/8-24 UNEF	23,0	12,7	19,0	1,12
	10SL	D (6)	(5)	23,0	11,2	19,0	1,12
12	12 & 12S	B, C	5/8-24 UNEF	23,0	12,7	19,0	1,12
	12 & 12S	A, R	11/16-24 UNEF	24,9	14,3	19,0	1,12
	12 & 12S	D (6)	(5)	24,9	12,7	19,0	1,12
14	14 & 14S	-	3/4-20 UNEF	27,7	16,0	21,0	1,12
16	16 & 16S	-	7/8-20 UNEF	31,1	19,0	24,0	1,12
18	18	-	1-20 UNEF	34,4	20,7	26,0	1,12
20	20	A, B, C	1 1/8-18 UNEF	37,6	25,4	34,0	1,75
	20	R	1 1/8-24 UNS	37,6	25,4	34,0	1,75
	20	D (6)	(5)	37,6	25,4	34,0	1,75
22	22	-	1 1/4-18 UNEF	40,6	28,5	36,0	1,75
24	24	-	1 3/8-18 UNEF	43,6	31,8	40,5	1,75
28	28	-	1 5/8-18 UNEF	48,6	35,0	43,0	2,20
32	32	B, C	1 7/8-16 UN	54,9	41,5	48,0	2,20
	32	A, R	1 29/32-18 UN	54,9	41,3	48,0	2,20
	32	D (6)	(5)	54,9	41,5	48,0	2,20
36	36	B	2 1/16-16 UNS	64,6	47,6	54,5	2,20
	36	R	2 1/16-20 UNS	64,6	47,6	54,5	2,20
	36	C	2 1/8-16 UN	64,6	48,0	54,5	2,20
	36	A	2 1/8-18 UNS	64,6	47,6	54,5	2,20
	36	D (6)	(5)	64,6	48,0	54,5	2,20
40	40	B	2 5/16-16 UN	70,6	54,0	60,5	2,20
	40	A, C, R	2 3/8-16 UN	70,6	54,0	60,5	2,20
	40	D (6)	(5)	69,3	54,0	60,5	2,20
44	44	-	2 5/8-16 UN	82,0	60,3	67,6	2,20
48	48	C	2 13/16-18 UNS	82,0	66,7	74,0	2,20
	48	A, R	2 7/8-16 UN	82,0	66,7	74,0	2,20
	48	D (6)	(5)	82,0	66,7	74,0	2,20

TABLE 2

MFR CODE	CONNECTOR MANUFACTURER (MS 3100, MS 3101 & MS 3106)
A	AMPHENOL - CLASS A
B	BENDIX - CLASS A, E & R
C	CANNON - CLASS A, E & R
D	MFR UNKNOWN, CLASS A, E & R
R	AMPHENOL - CLASS R
-	MFR CODE NOT REQUIRED



ADDITIONAL PIECE(S) SUPPLIED WHEN CONNECTOR MANUFACTURER IS UNKNOWN ("D" IN TABLE 3)

If this document is printed it becomes uncontrolled. Check for the latest revision

<table border="1"> <tr> <td>DRAWN</td> <td>K.WINCZURA</td> <td>DATE</td> <td>26/05/2015</td> </tr> <tr> <td>CHECKED</td> <td></td> <td>DATE</td> <td>26/05/2015</td> </tr> <tr> <td>APPROVED</td> <td>K.SHEPPARD</td> <td>DATE</td> <td>27/04/2015</td> </tr> <tr> <td>APPROVED</td> <td>H.SMITH</td> <td>DATE</td> <td>02/09/2015</td> </tr> </table>	DRAWN	K.WINCZURA	DATE	26/05/2015	CHECKED		DATE	26/05/2015	APPROVED	K.SHEPPARD	DATE	27/04/2015	APPROVED	H.SMITH	DATE	02/09/2015	<p>3RD ANGLE PROJECTION NOT TO SCALE</p> <p>UNLESS OTHERWISE SPECIFIED ALL DIMENSIONS IN MILLIMETRES GENERAL TOL LINEAR +/-0,25MM ANGULAR +/- 1°</p>	<p>TITLE:</p> <h2>HEAT SHRINK BOOT BACKSHELL</h2> <p>ASSY USED ON:</p> <h3>MIL-DTL-5015D</h3>	<p>Polamco</p> <p>TE connectivity</p>
DRAWN	K.WINCZURA	DATE	26/05/2015																
CHECKED		DATE	26/05/2015																
APPROVED	K.SHEPPARD	DATE	27/04/2015																
APPROVED	H.SMITH	DATE	02/09/2015																
<p>REVISIONS</p> <table border="1"> <thead> <tr> <th>LTR</th> <th>DESCRIPTION</th> <th>DATE</th> <th>APPROVED</th> </tr> </thead> <tbody> <tr> <td>H</td> <td>REVISED PER ECN AD93111</td> <td></td> <td></td> </tr> <tr> <td>J</td> <td>REVISED PER ECO-15-012672</td> <td>02/09/2015</td> <td>H.SMITH</td> </tr> </tbody> </table>				LTR	DESCRIPTION	DATE	APPROVED	H	REVISED PER ECN AD93111			J	REVISED PER ECO-15-012672	02/09/2015	H.SMITH				
LTR	DESCRIPTION	DATE	APPROVED																
H	REVISED PER ECN AD93111																		
J	REVISED PER ECO-15-012672	02/09/2015	H.SMITH																
<p>TE CAGE CODE: 06090 POLAMCO/TE CAGE CODE: U5792</p>		<p>TE CONNECTIVITY - POLAMCO LTD RESERVES THE RIGHT TO AMEND THIS DRAWING AND THEREOF IN THEIR APPLICATION.</p>	<p>DRAWING NO: 218M6XX</p> <p>DRAWING REV: J</p> <p>SHT 2</p>																

单击下面可查看定价，库存，交付和生命周期等信息

[>>TE Connectivity\(泰科\)](#)