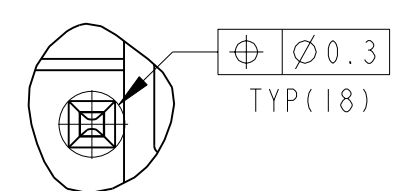
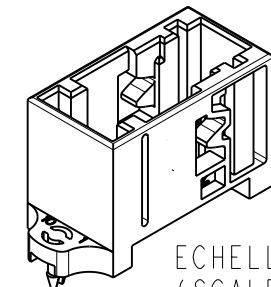
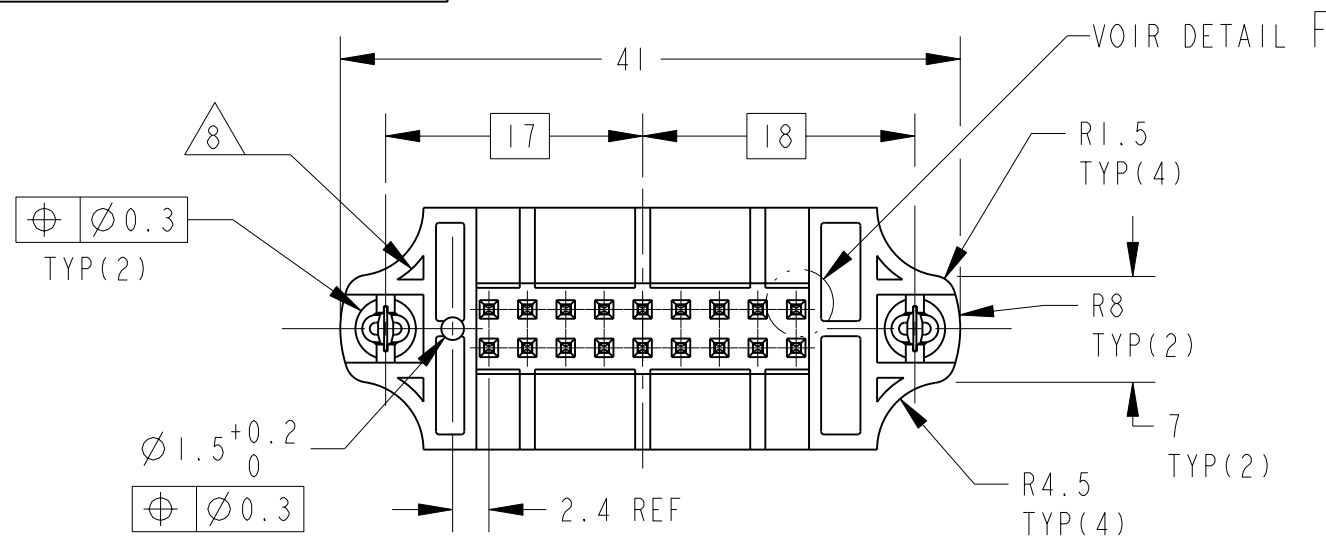


THIS DRAWING IS UNPUBLISHED. DIFFUSION RESTREINTE
 RELEASED FOR PUBLICATION LIBRE A LA DIFFUSION
 BY TYCO ELECTRONICS CORPORATION. ALL RIGHTS RESERVED. TOUS DROITS RESERVES

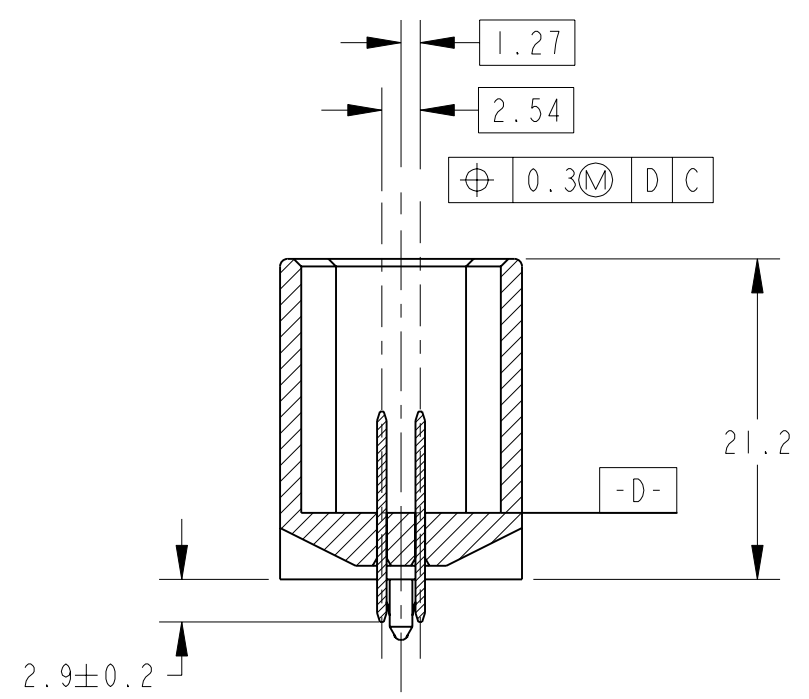
LOC	DIST	REVISIONS			
P	LTR	DESCRIPTION MODIFICATIONS	DATE	DWN DESS.	APVD APP.
F	7				
G		MODIF. IDENTIFICATION LOGO	05/03/09	AD	JL
H		AJOUT NOUVELLE VERSION SUR FEUILLE 2/2	20AUG2009	AD	JL



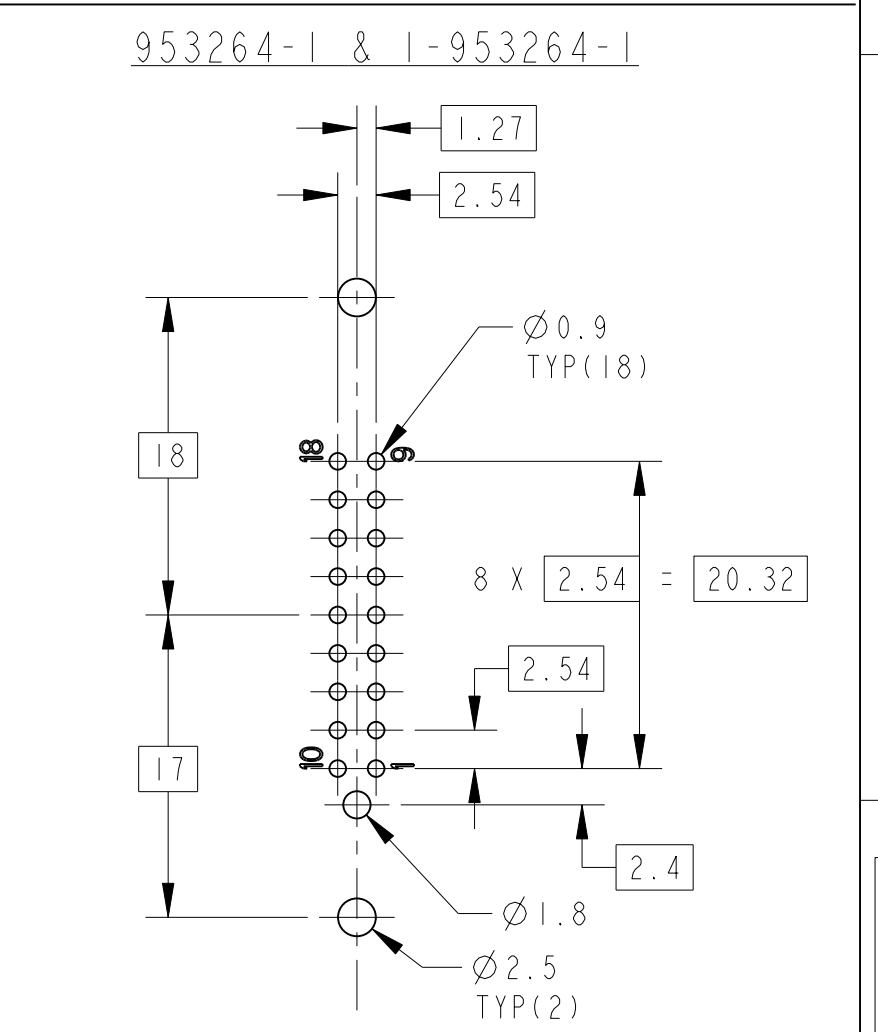
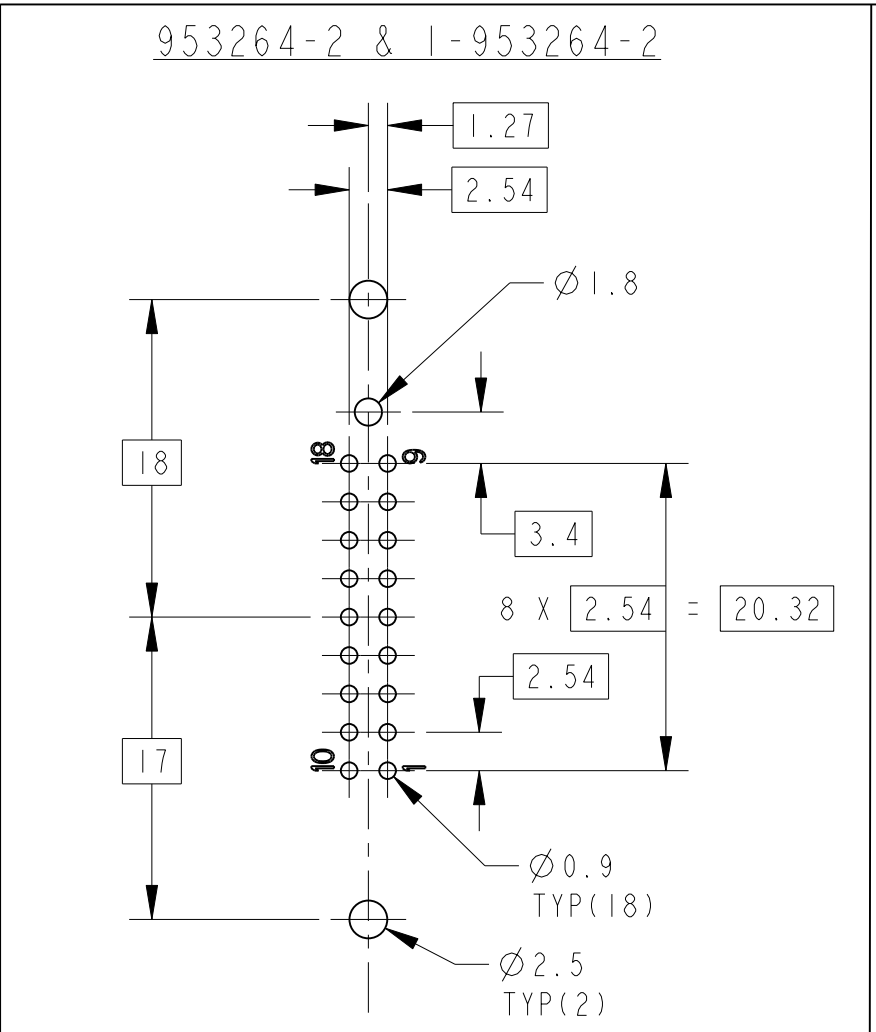
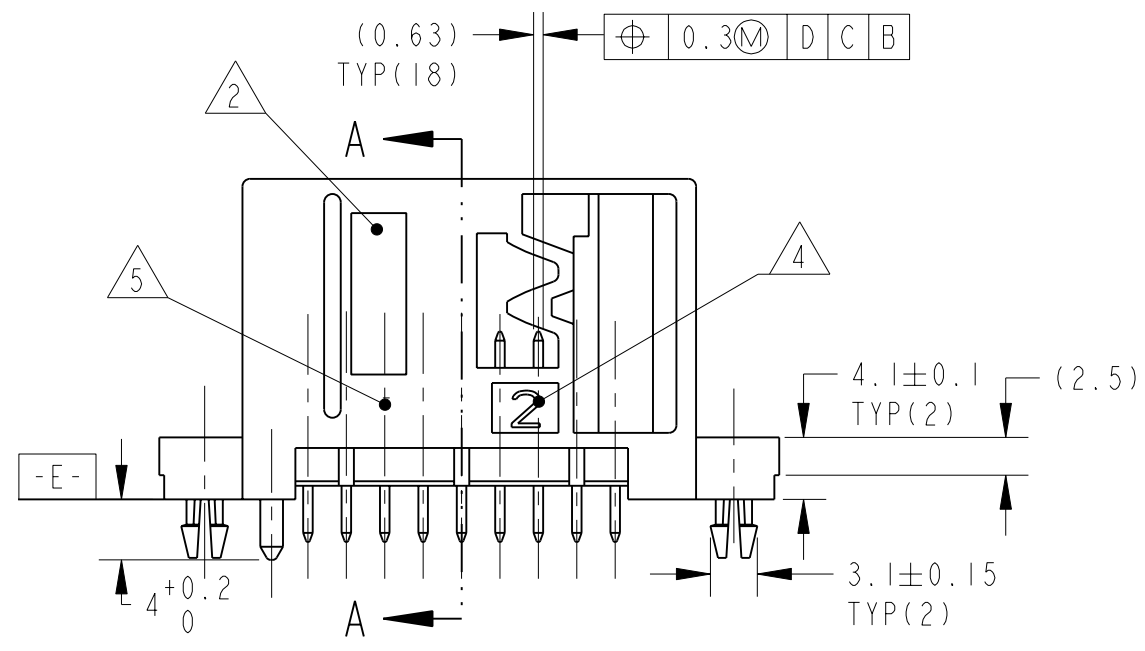
DETAIL F
 ECHELLE 5:1
 (Scale 5:1)



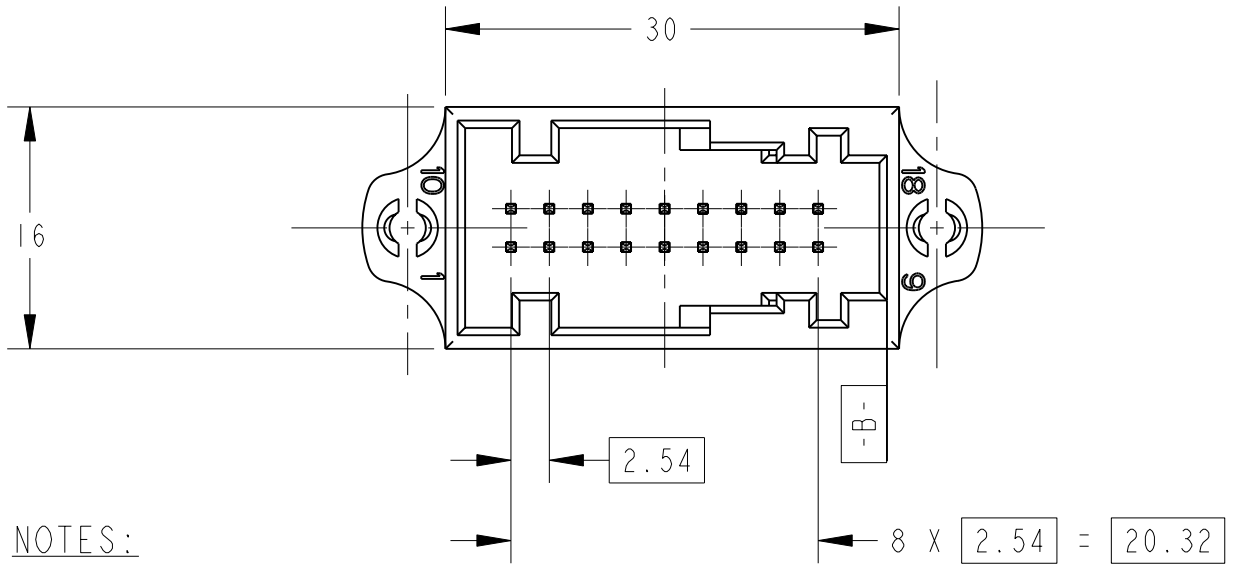
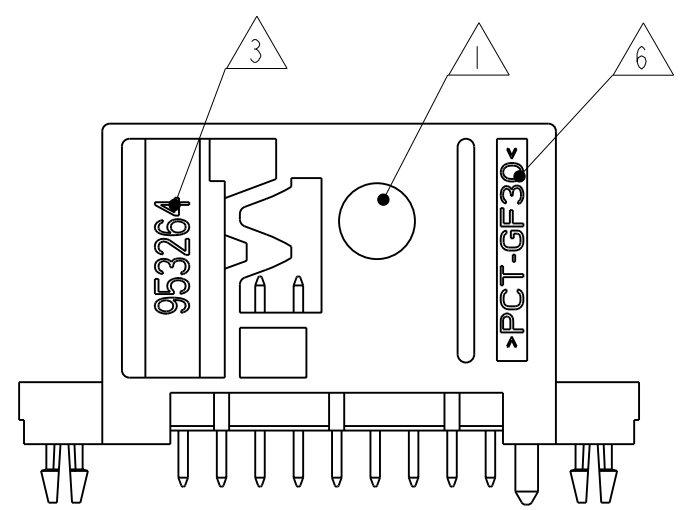
ECHELLE 1:1
 (SCALE 1:1)



COUPE A-A
 (Section A-A)



EPAISSEUR C.1: 1.6±0.15
 (PCB THICKNESS: 1.6±0.15)



NOTES:

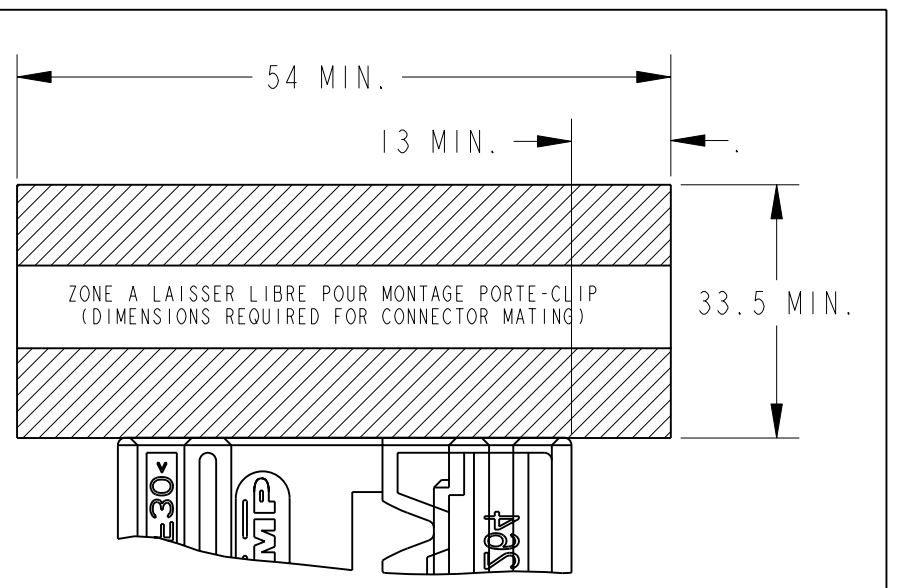
- 1 DATE CODE (DATE CODE)
- 2 RELEASED TYCO/Electronics LOGO
- 3 REFERENCE DU PRODUIT ASSEMBLE (ASS'Y PART NUMBER)
- 4 N°D'EMPREINTE DU MOULE (CAVITY MARKING)
- 5 REVISION DU MOULE (REVISION STATUS)
- 6 MATIERE (MATERIAL REFERENCE)
- 7. CONTRE-PARTIE: CONNECTEUR REF 185307 ET 185315 (MATING PART: CONNECTORS P/N 185307 AND 185315)
- 8 EVIDEMENTS OPTIONNELS (OPTIONAL HOLES)

EN ACCORD AVEC LA SPECIFICATION D'INTERFACE 208-15545 (ACCORDING TO INTERFACE SPECIFICATION 208-15545)

PCT GF30	CuSn6
MATIERE EMBASE (MATERIAL HOUSING)	MATIERE CONTACT (MATERIAL CONTACT)

RECOMMENDATION IMPLANTATION C.1 - VUE DE DESSUS (RECOMMENDED PCB DETAILS - VIEW FROM TOP)

	NOIR (BLACK)	POST-ETAME SELECTIF (POST-TIN SELECTIVE)	1-953264-2
		PRE-ETAME (PRE-TIN) (F)	953264-2
	BLANC (WHITE)	POST-ETAME SELECTIF (POST-TIN SELECTIVE)	1-953264-1
		PRE-ETAME (PRE-TIN) (F)	953264-1
DETROMPAGES (ECHELLE 1:1) (CODINGS (SCALE 1:1))		COULEUR (COLOR)	REFERENCE ASSEMBLEE (P/N ASS'Y)

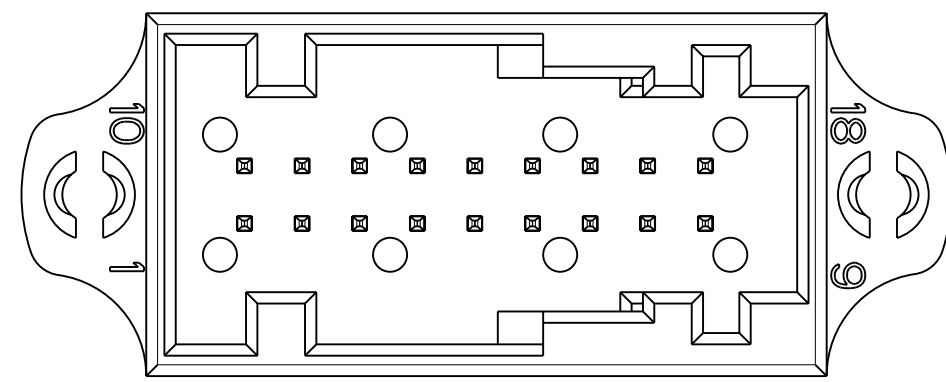
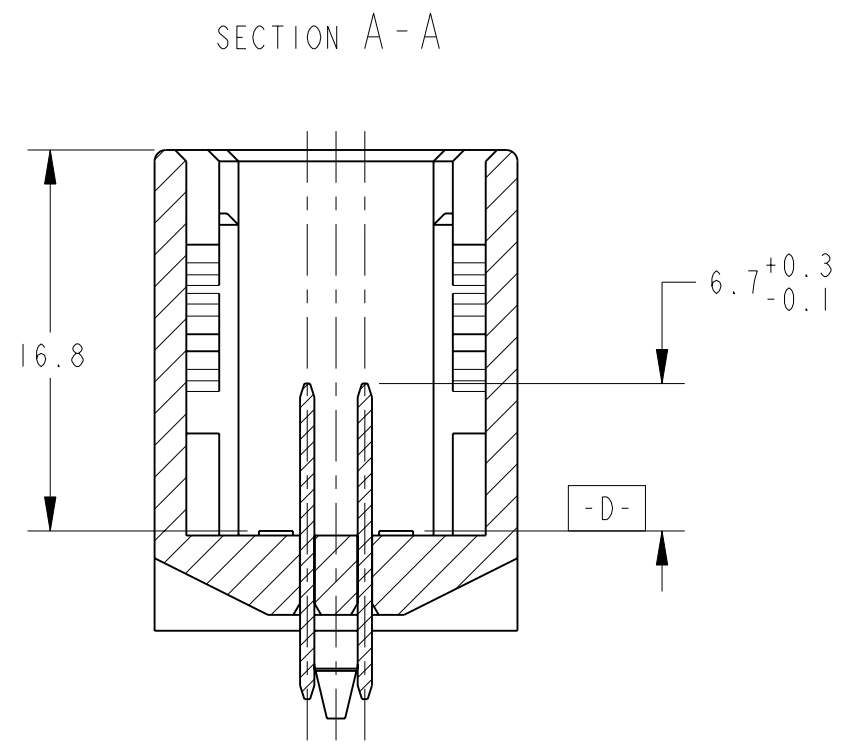
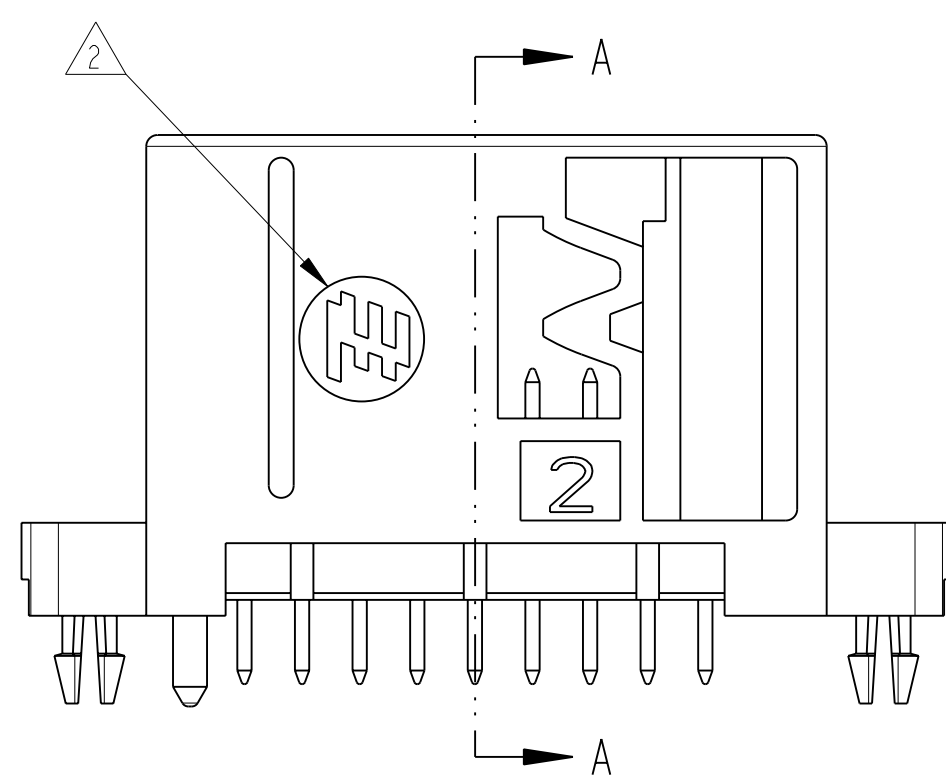
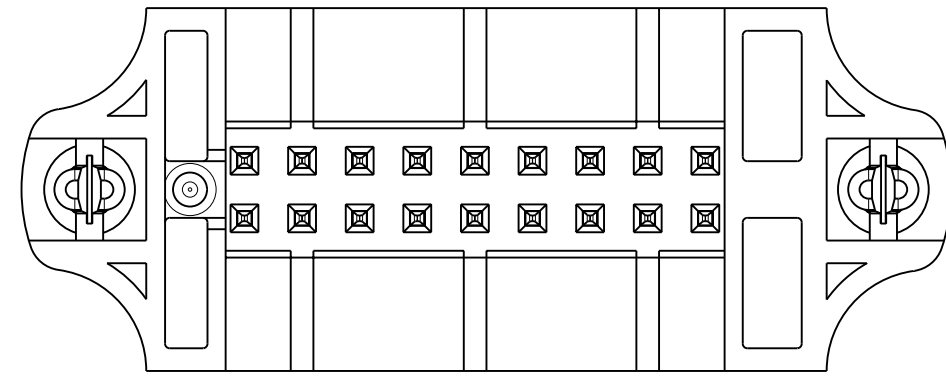


THIS DRAWING IS A CONTROLLED DOCUMENT FOR TYCO ELECTRONICS CORPORATION IT IS SUBJECT TO CHANGE AND THE CONTROLLING ENGINEERING ORGANIZATION SHOULD BE CONTACTED FOR THE LATEST REVISION. CE PLAN EST UN DOCUMENT CONTROLE PAR AMP INCORPORATED. IL EST SUSCEPTIBLE D'ETRE REVISE. CONTACTER LE SERVICE TECHNIQUE D'AMP DE FRANCE POUR OBTENIR LA DERNIERE REVISION.		DWN/DESSINE A. DUPUIS 08DEC97	AMP DE FRANCE
DIMENSIONS: mm		CHK/VERIFIE J. LAQUERBE 08DEC97	95301 PONTOISE
TOLERANCES UNLESS OTHERWISE SPECIFIED: (SUIV NB DE DECIMALES)		APVD/APROUVE JJ REVII 08DEC97	
0 P.L.C./DEC ±		NAME/TITRE	
1 P.L.C./DEC ±		EMBASE 18V MQS DROITE AVEC BL	
2 P.L.C./DEC ±		18 W MQS STRAIGHT HEADER WITH BL	
3 P.L.C./DEC ±0.3		(18W MQS STRAIGHT HEADER WITH BL)	
4 P.L.C./DEC ±		SIZE/FORMAT	
ANGLES FINISH FINITION		A2	
MATERIAL MATIERE		CAGE CODE	
VOIR TABLEAU		00779	
VOIR TABLEAU		DRAWING NO No PLAN	
		UNIQUEMENT POUR REFERENCE	
		SCALE ECHELLE 2:1	
		SHEET FEUILLE 1	
		OF DE 2	
		REV H	

THIS DRAWING IS UNPUBLISHED. RELEASED FOR PUBLICATION 20
 © COPYRIGHT 20 BY TYCO ELECTRONICS CORPORATION. ALL RIGHTS RESERVED.

LOC	DIST	REVISIONS					
F	7	P	LTR	DESCRIPTION	DATE	DWN	APVD
		-		SEE SHEET 1			

OTHER DESIGN ACCEPTED AVAILABLE FOR ALL VERSIONS
 (AUTRES DESIGN ACCEPTES VALABLES POUR TOUTES LES VERSIONS)



FOR ALL OTHER DIMENSIONS AND SHAPES SEE SHEET 1/2
 (POUR LES AUTRES DIMENSIONS ET FORMES VOIR FEUILLE 1/2)

<small>THIS DRAWING IS A CONTROLLED DOCUMENT FOR TYCO ELECTRONICS CORPORATION IT IS SUBJECT TO CHANGE AND THE CONTROLLING ENGINEERING ORGANIZATION SHOULD BE CONTACTED FOR THE LATEST REVISION.</small>		DWN A. DUPUIS	20AUG09		AMP DE FRANCE
DIMENSIONS: mm		CHK J. LALANGE	20AUG09		95301 PONTOISE
		APVD J.J. REVIL	20AUG09		NAME EMBASE 18V MQS DROITE AVEC BL 18 W MQS STRAIGHT HEADER WITH BL (18W MQS STRAIGHT HEADER WITH BL)
TOLERANCES UNLESS OTHERWISE SPECIFIED: 0 PLC ±- 1 PLC ±- 2 PLC ±- 3 PLC ±0.3 4 PLC ±- ANGLES ±5 ° FINISH		PRODUCT SPEC -	APPLICATION SPEC -	SIZE A2	CAGE CODE 00779
MATERIAL -		WEIGHT -	DRAWING NO 953264		RESTRICTED TO -
		CUSTOMER DRAWING		SCALE 3:1	SHEET 2 OF 2 REV H

单击下面可查看定价，库存，交付和生命周期等信息

[>>TE Connectivity\(泰科\)](#)