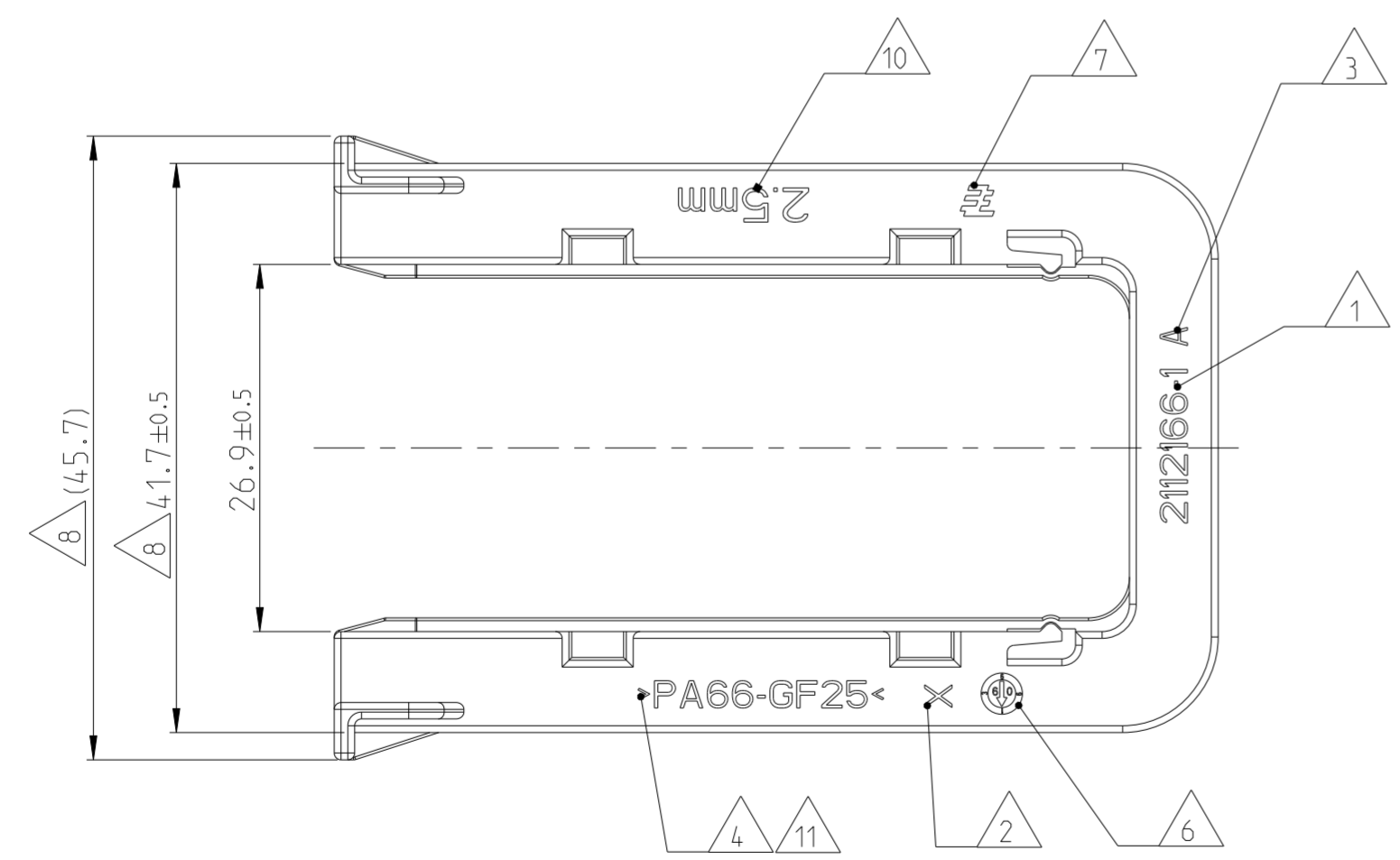
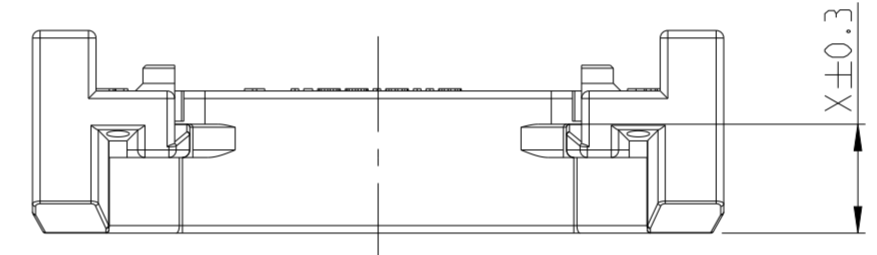
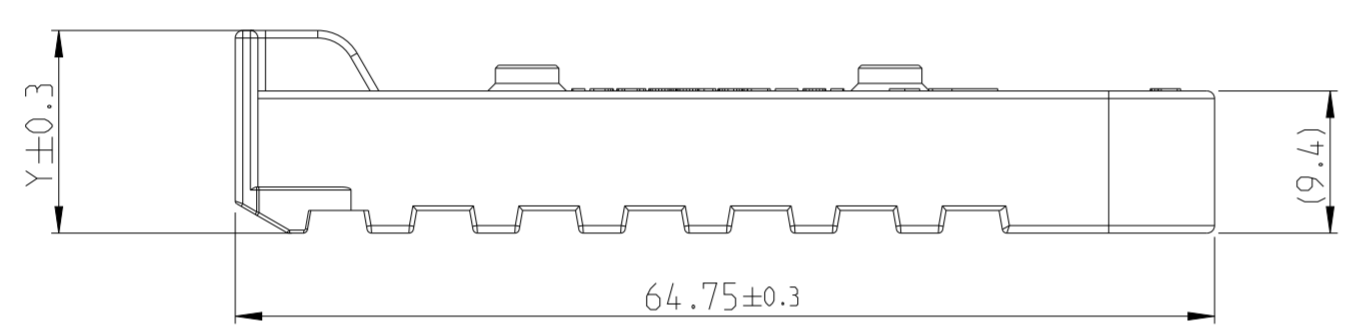
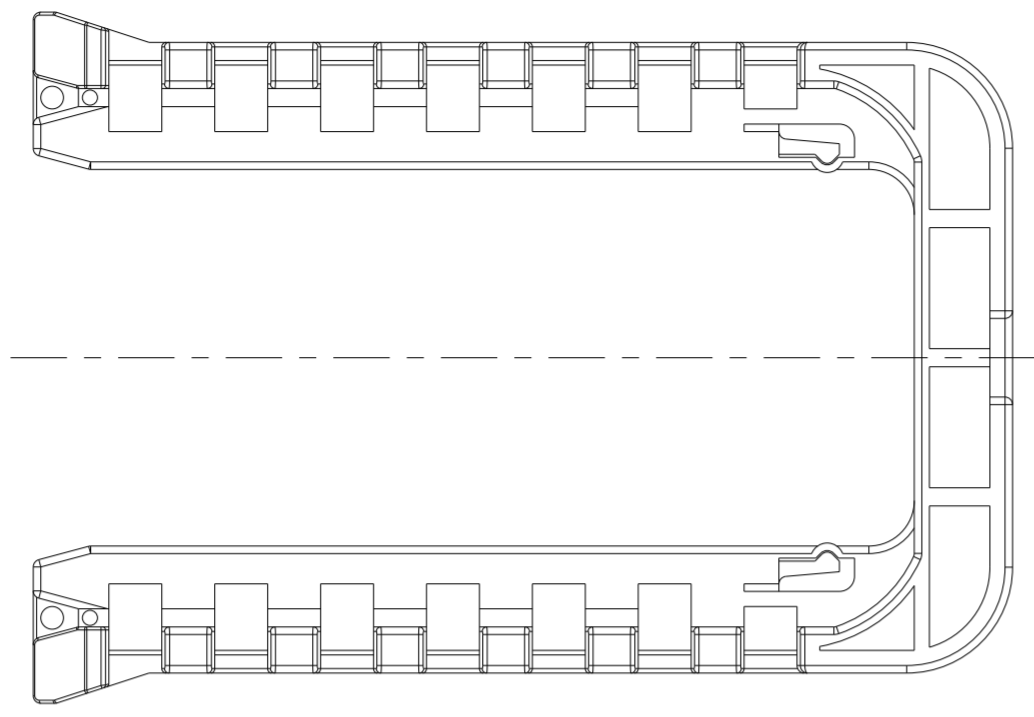
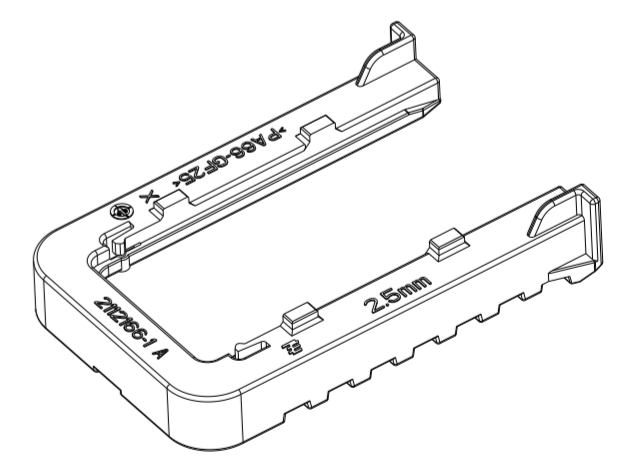


REVISIONS					
P	LTR	DESCRIPTION	DATE	DWN	APVD
	A	NEW DRAWING CREATED	17SEP2009	NP	Ch E
	A1	NEW VARIANTS ADDED SEE PCN: E-10-020858	08OCT2010	NP	Ch E
	A2	PCN-21-121785	29NOV2021	DRK	AW

0-2112166-1 AS SHOWN  
1-2112166-1 wie gezeigt



- NOTES  
Bemerkungen
- TE ORDER-NO.  
TE Bestell-Nr.
  - PRODUCTION DATE  
Produktionsdatum
  - LETTER-INSERT FOR THE REVISION STATUS OF THE MOULD  
Schriftsatz fuer Aenderungszustand des Werkzeuges
  - MATERIAL MARKING ACCORDING TO VDA 260  
Werkstoffkennzeichnung nach VDA 260
  - BULK PACKAGING IN CORRUGATED BOX  
Schuetfgut im Versandkarton
  - MOULD CAVITY MARKING  
Nestmarkierung
  - TE LOGO  
TE Logo
  - WARPAGE PERMITTED UP TO -2mm FROM NOMINAL SIZE  
Verzug zulaessig bis -2mm vom Nennmass
  - SUITABLE FOR TAB HOUSING WITH FLANGE  
SEE 2112162  
Passend zu Flachsteckergehaeusen mit Flansch  
siehe 2112162
  - MARKING FOR SUITABLE SHEET METAL THICKNESS (NOMINAL SIZE)  
Kennzeichnung fuer passende Blechstaecke (Nennmass)
  - ALTERNATE MATERIAL PBT-GF30 V0 WILL BE SHOWN ON PART  
WITH MATERIAL MARKING  
Alternativ Material PBT-GF30 V0 wird durch die  
Materialkennzeichnung angezeigt



REV.	SHEET METAL THICKNESS Blechdicke	DIM X	DIM Y	MAT.	COLOUR Farbe	DESCRIPTION Beschreibung	ITEM
-	-	-	-	-	-	SLIDE, FOR 1.5mm SHEET METAL Schieber, fuer Blech 1.5mm Dicke	5
-	-	-	-	-	-	SLIDE, FOR 1mm SHEET METAL Schieber, fuer Blech 1mm Dicke	4
2112166-3	3.5 ± 0.1mm	6.2	12.4	11 PA66-GF25/V-0	GREY grau	SLIDE, FOR 3.5mm SHEET METAL Schieber, fuer Blech 3.5mm Dicke	3
2112166-2	3 ± 0.1mm	6.7	12.9	11 PA66-GF25/V-0	YELLOW gelb	SLIDE, FOR 3mm SHEET METAL Schieber, fuer Blech 3mm Dicke	2
2112166-1	2.5 ± 0.1mm	7.2	13.4	11 PA66-GF25/V-0	RED rot	SLIDE, FOR 2.5mm SHEET METAL Schieber, fuer Blech 2.5mm Dicke	1

THIS DRAWING IS A CONTROLLED DOCUMENT.

DIMENSIONS:  
mm

TOLERANCES UNLESS OTHERWISE SPECIFIED:  
ACC. TO DIN ISO 8015  
ACC. TO DIN 16901-140

1 PLC  
2 PLC  
3 PLC  
4 PLC  
ANGLES ±2°

MATERIAL  
SEE TABLE  
material\_2

FINISH  
SEE TABLE  
finish\_spec\_2

DWN	17SEP2009	N. Pfaffmann
CHK	18SEP2009	F. Eltrop
APVD	19SEP2009	Ch. Eberwein
PRODUCT SPEC	-	
APPLICATION SPEC	114-18376	
WEIGHT	7.9g	
CUSTOMER DRAWING	-	

NAME	SLIDE, FOR 21POS. Schieber, fuer 21pol. Flachsteckergehaeuse		
SIZE	CAGE CODE	DRAWING NO	RESTRICTED TO
A2	00779	C-2112166	-
SCALE	SHEET	OF	REV
2:1	1	1	A2

单击下面可查看定价，库存，交付和生命周期等信息

[>>TE Connectivity\(泰科\)](#)