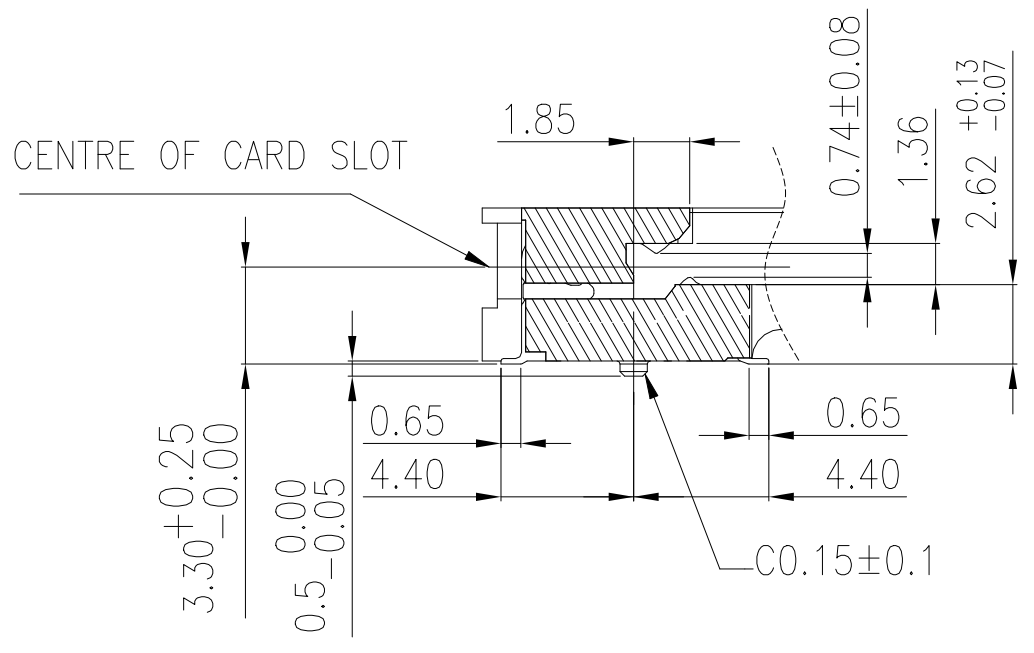
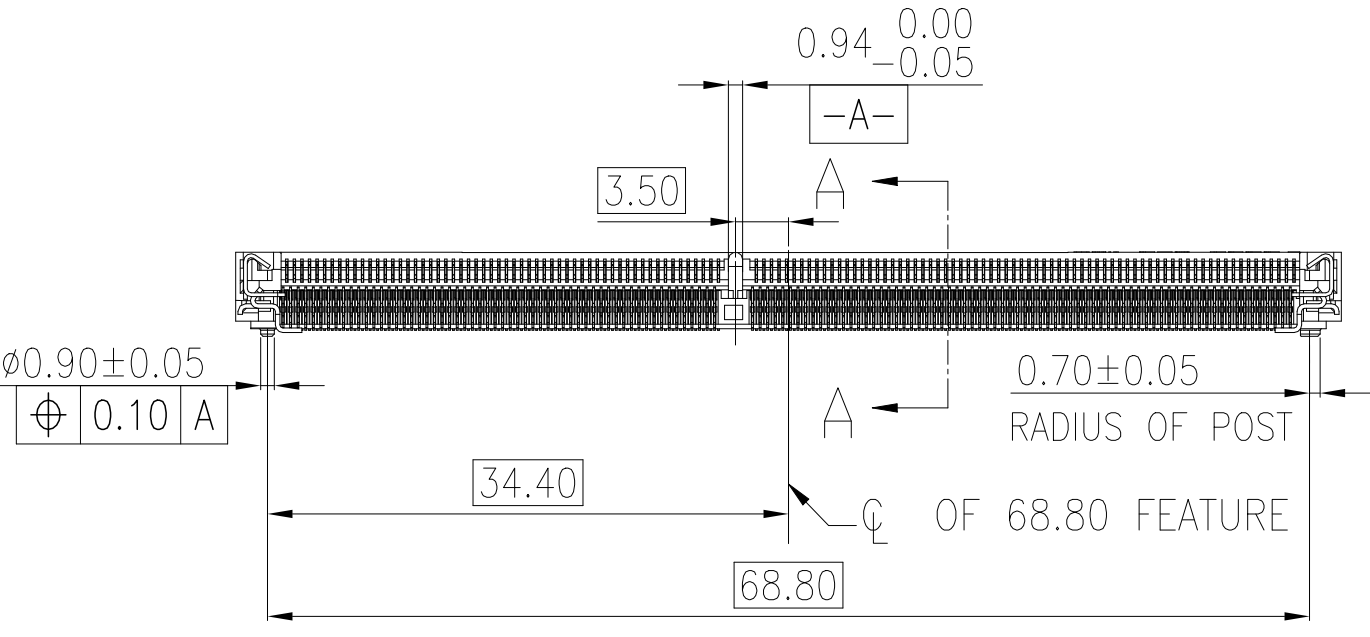
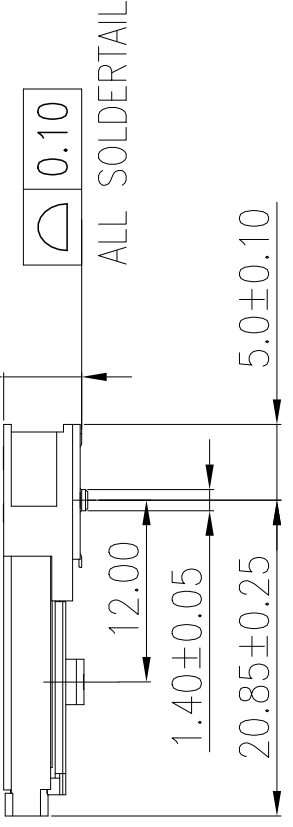
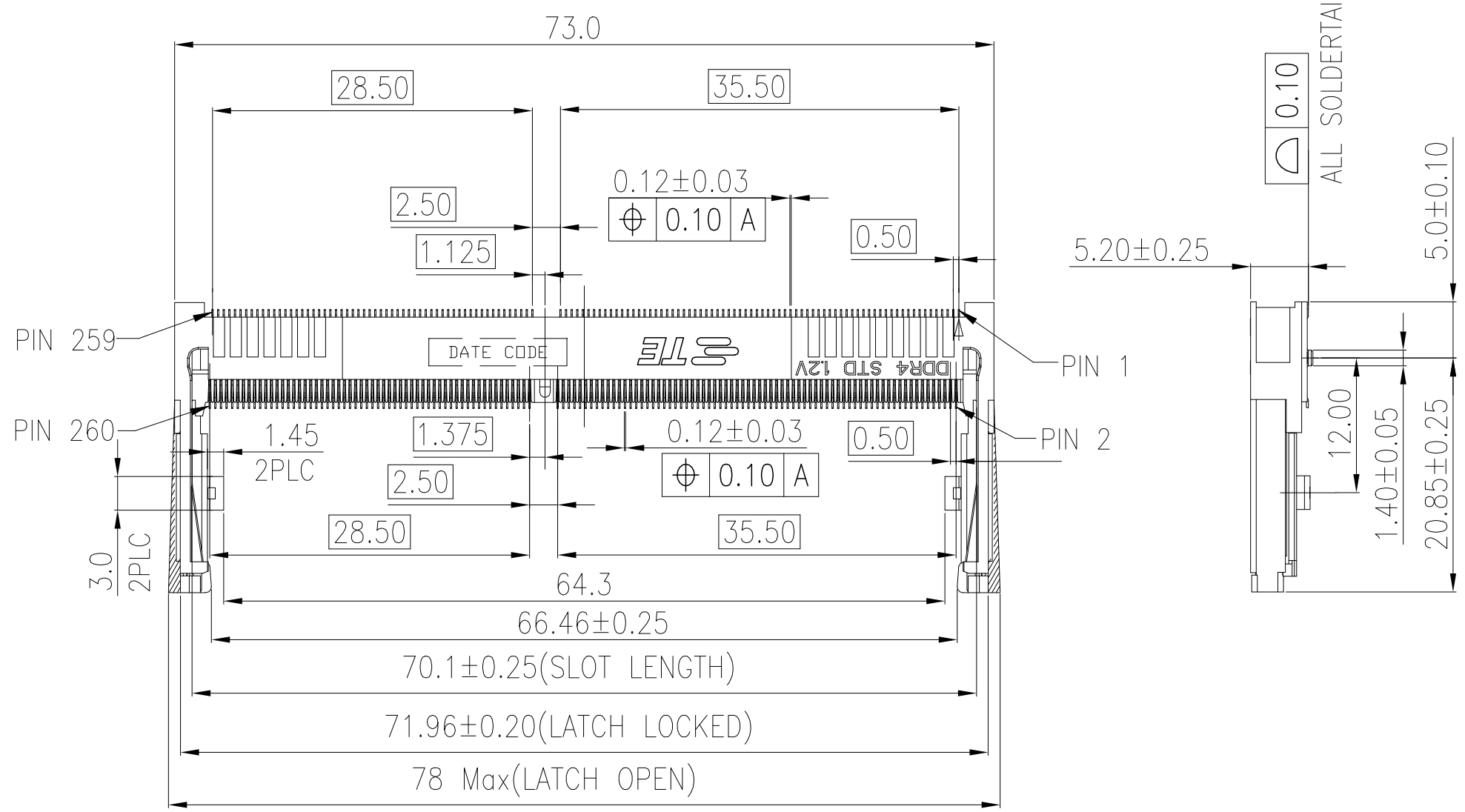


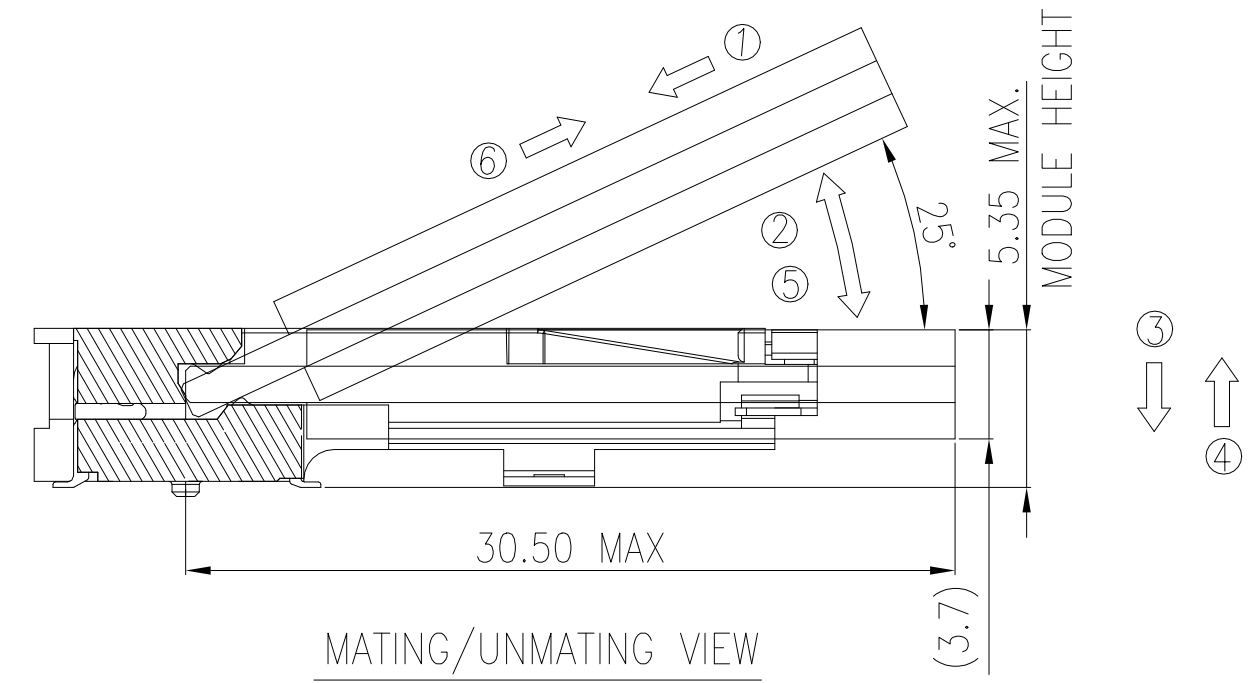
REVISIONS					
P	LTR	DESCRIPTION	DATE	OWN	APVD
5		CHANGE DIM 0.80 TO 0.74+/-0.08	16NOV2020	SS	DZ



SECTION:A-A
SCALE 2:1

NOTES:

- MATERIAL:
 - HOUSING: HIGH TEMPERATURE THERMO PLASTIC,UL94V-0,COLOR:BLACK.
 - CONTACT: COPPER ALLOY.
 - SOLDER PEG AND LATCH:STAINLESS STEEL.
- FINISH:
 - SOLDER PEG: GOLD FLASH ON 50u" MIN NICKEL UNDERPLATED ALL OVER.
 - CONTACT SOLDER AREA: GOLD FLASH ON SOLDER TAIL.
 - CONTACT AREA: GOLD FLASH ON 50u" MIN NICKEL UNDERPLATED ALL OVER.
 - CONTACT AREA: 5u" ON 50u" MIN NICKEL UNDERPLATED ALL OVER.
 - CONTACT AREA: 10u" ON 50u" MIN NICKEL UNDERPLATED ALL OVER.
 - CONTACT AREA: 15u" ON 50u" MIN NICKEL UNDERPLATED ALL OVER.
 - CONTACT AREA: 30u" ON 50u" MIN NICKEL UNDERPLATED ALL OVER.
- COPLANARITY: 0.10 MAX.



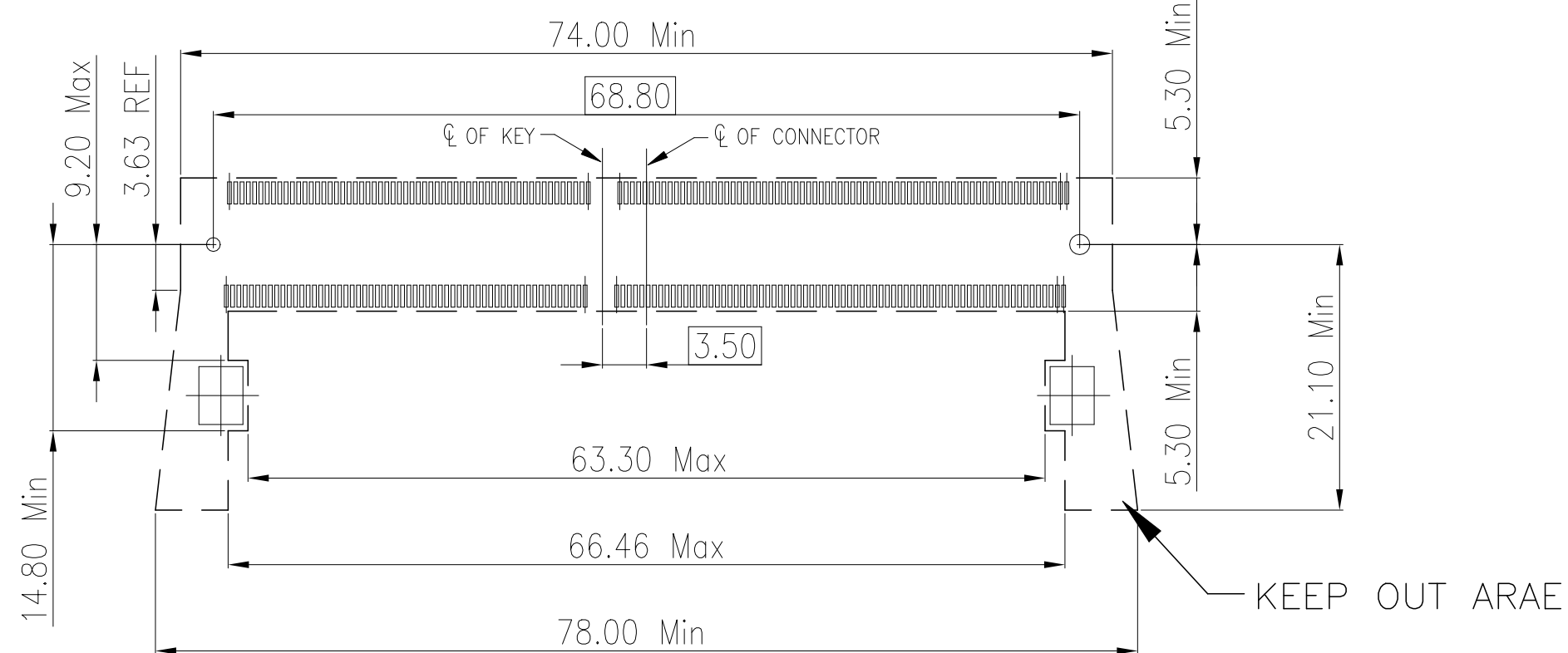
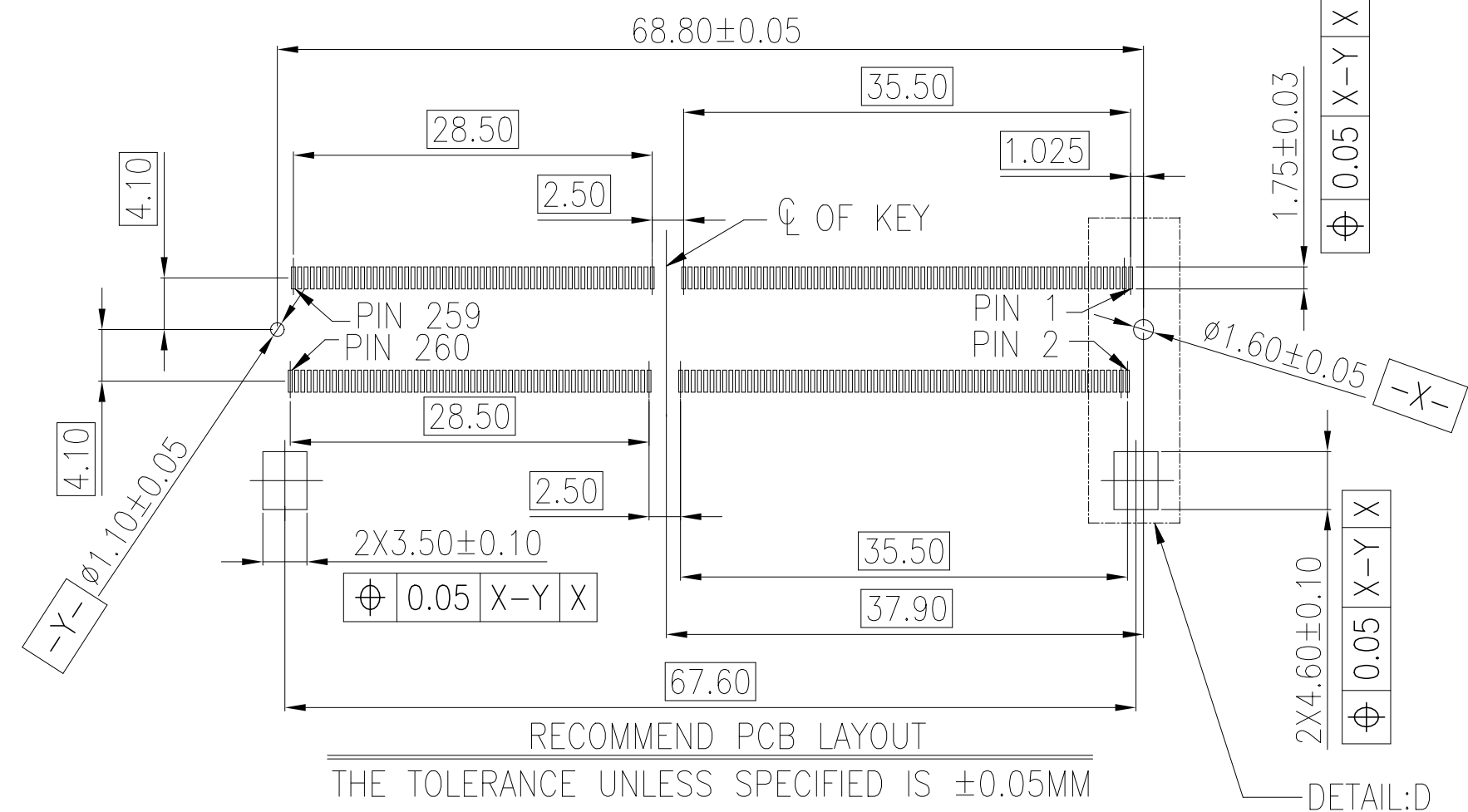
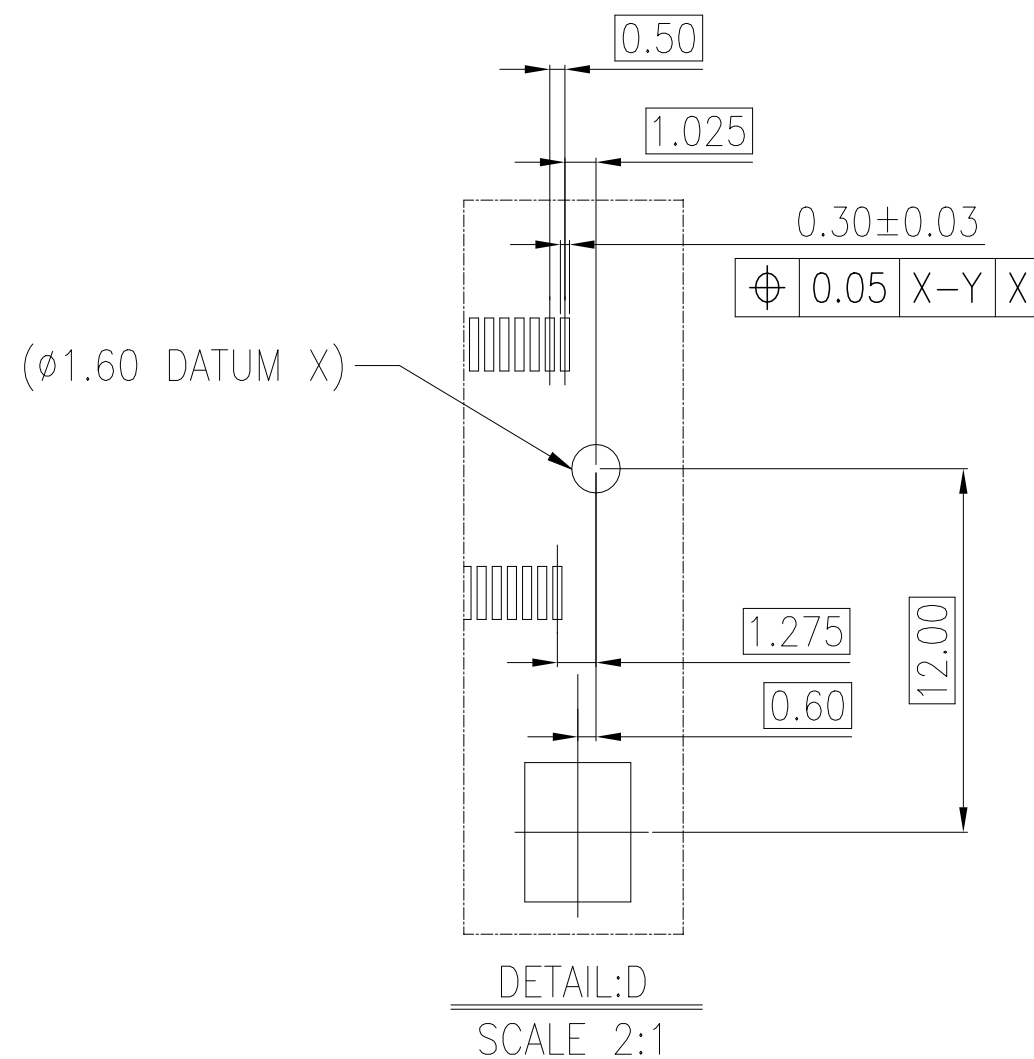
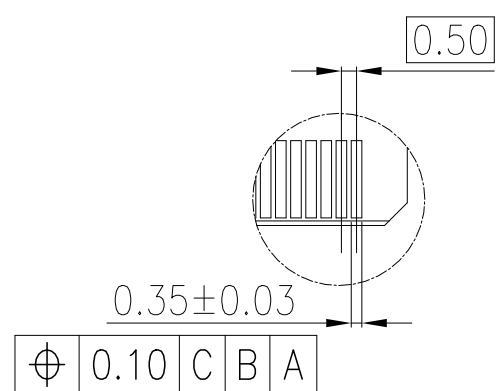
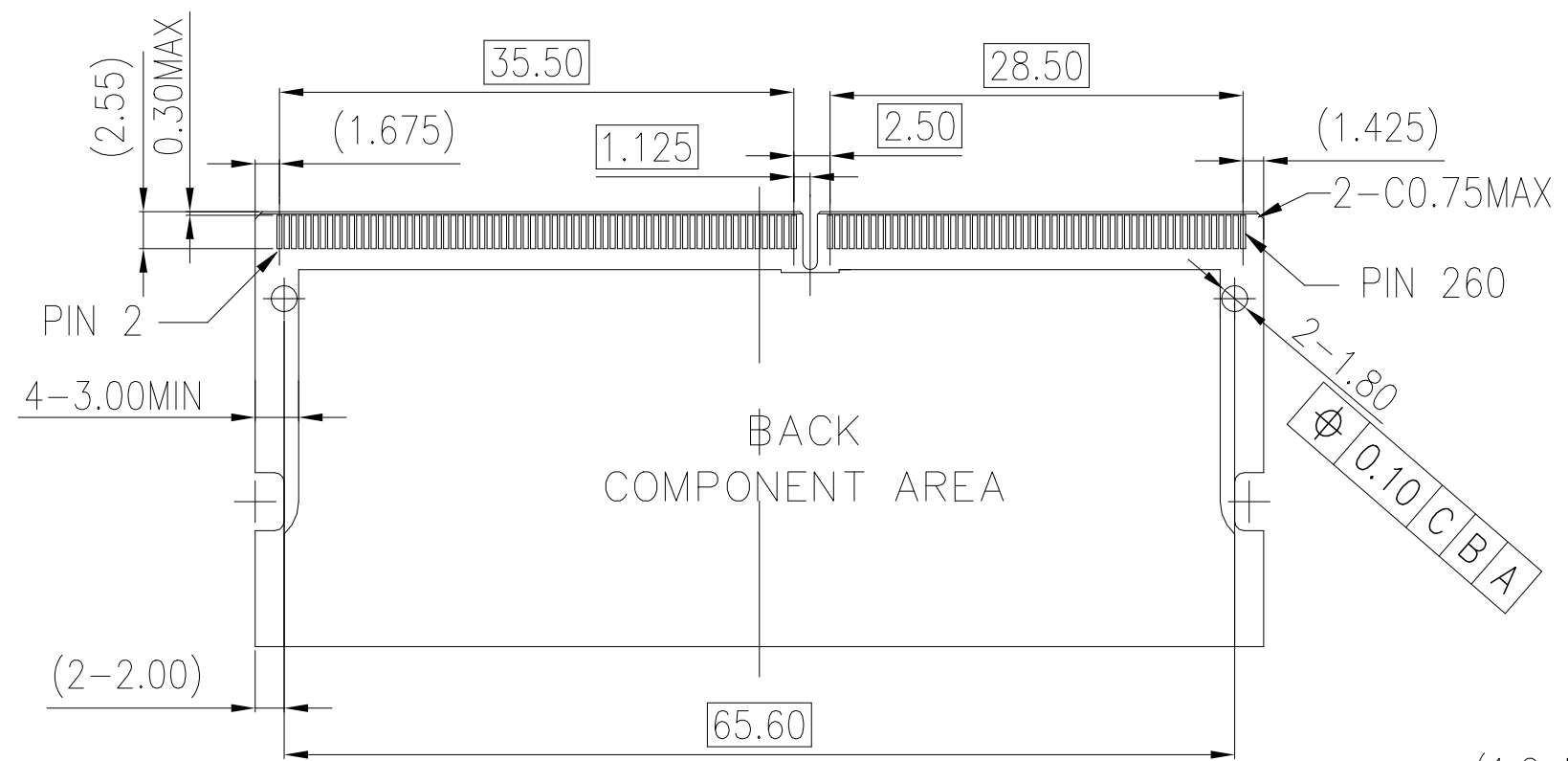
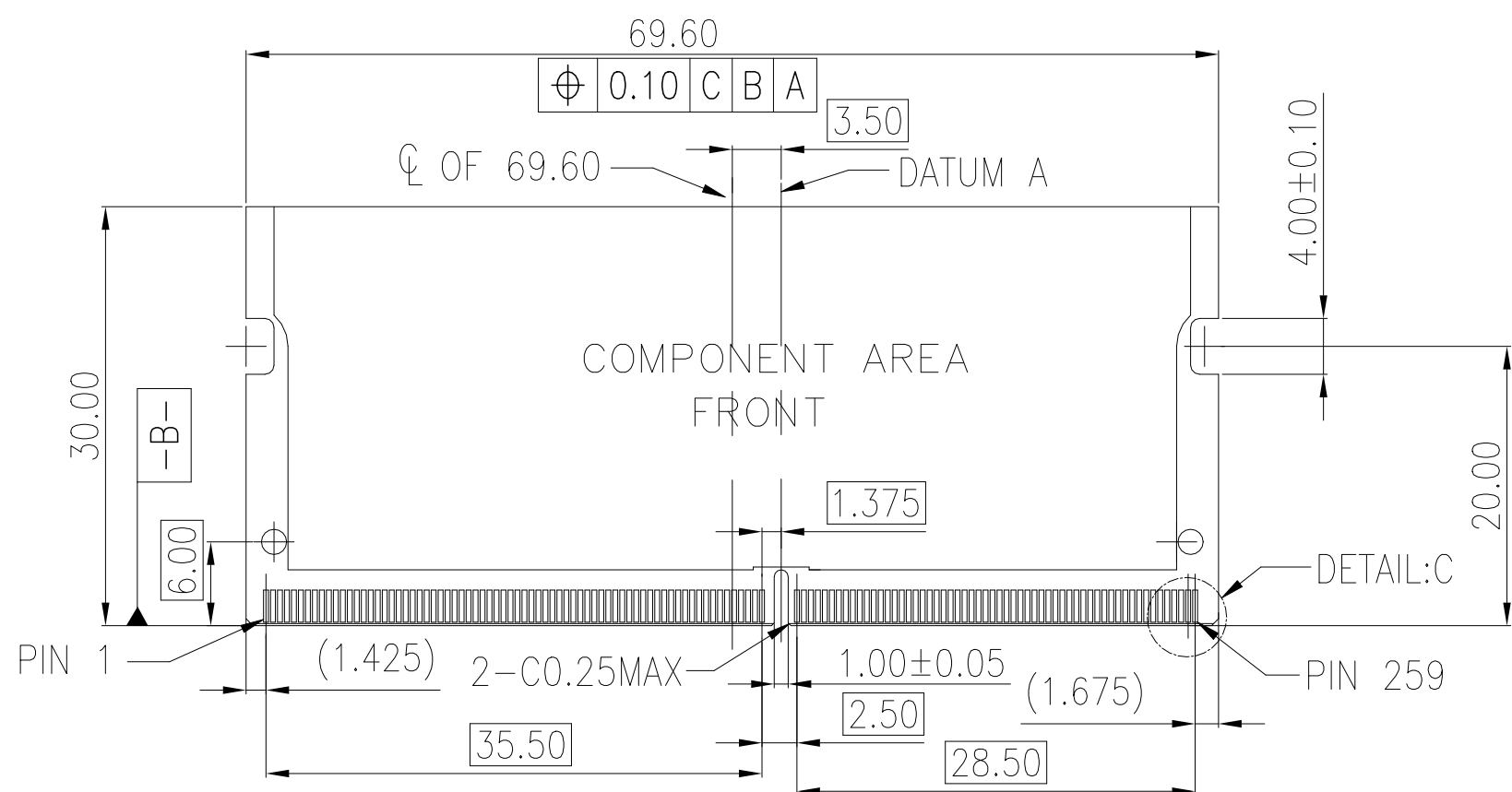
MATING/UNMATING VIEW
SCALE 2:1

- MATING: ① INSERTING(25°) → ② ROTATING → ③ FIXED
 UNMATING: ④ UNFIXED → ⑤ ROTATING → ⑥ WITHDRAWING

TAPE&REEL	BLACK	1.2V	30u"	260	2309409-5
TAPE&REEL	BLACK	1.2V	15u"	260	2309409-4
TAPE&REEL	BLACK	1.2V	10u"	260	2309409-3
TAPE&REEL	BLACK	1.2V	5u"	260	2309409-2
TAPE&REEL	BLACK	1.2V	GF	260	2309409-1
PACKING TYPE	HOUSING COLOR	POWER SUPPLY	FINISH	POS	PART NO.

THIS DRAWING IS A CONTROLLED DOCUMENT.		DWN DAVID ZHAO 09SEP2016			
DIMENSIONS: mm		CHK RICHARD_MA 09SEP2016			
TOLERANCES UNLESS OTHERWISE SPECIFIED:		APVD SIMON_LI 09SEP2016	NAME		
0 PLC ± -		PRODUCT SPEC		DDR4 SODIMM SOCKET	
1 PLC ± 0.25		108-115122		0.5mm PITCH 260POS	
2 PLC ± 0.15		APPLICATION SPEC		5.2mm HEIGHT STANDARD TYPE	
3 PLC ± 0.10		WEIGHT		SIZE	CAGE CODE
4 PLC ± -		A2		00779	DRAWING NO
ANGLES ± -		CUSTOMER DRAWING		C=2309409	
FINISH		SCALE 1:1		SHEET 1 of 3	REV 5

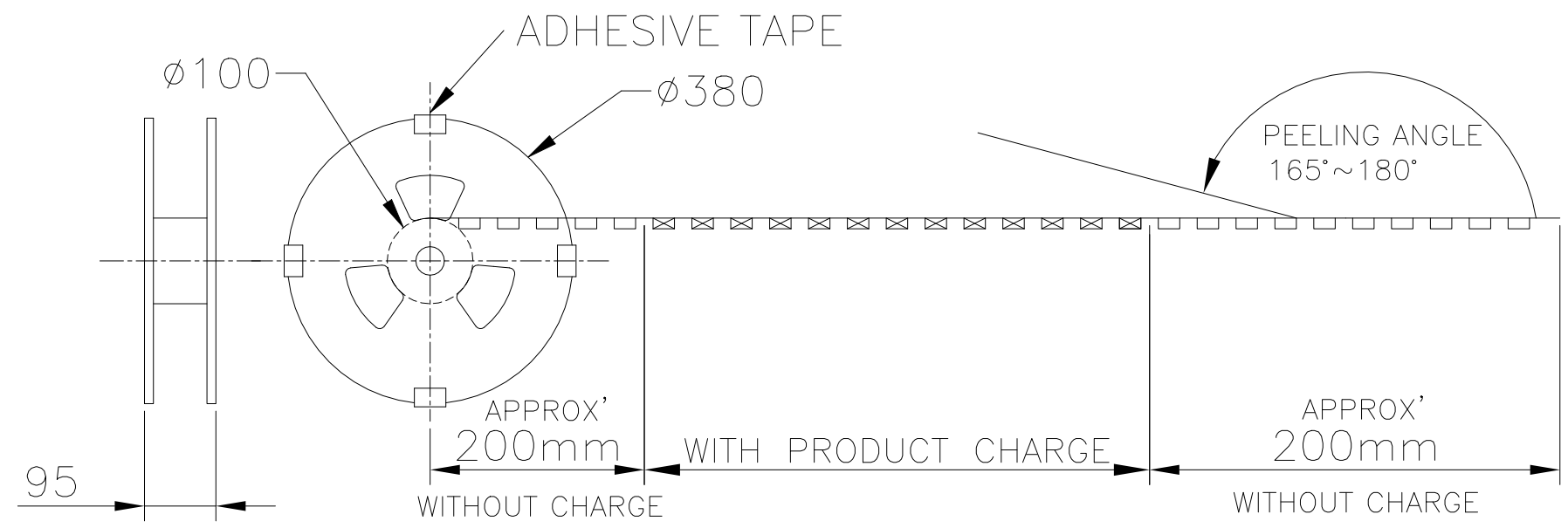
REVISIONS				
P	LTR	DESCRIPTION	DATE	OWN APVD
-	-		-	-



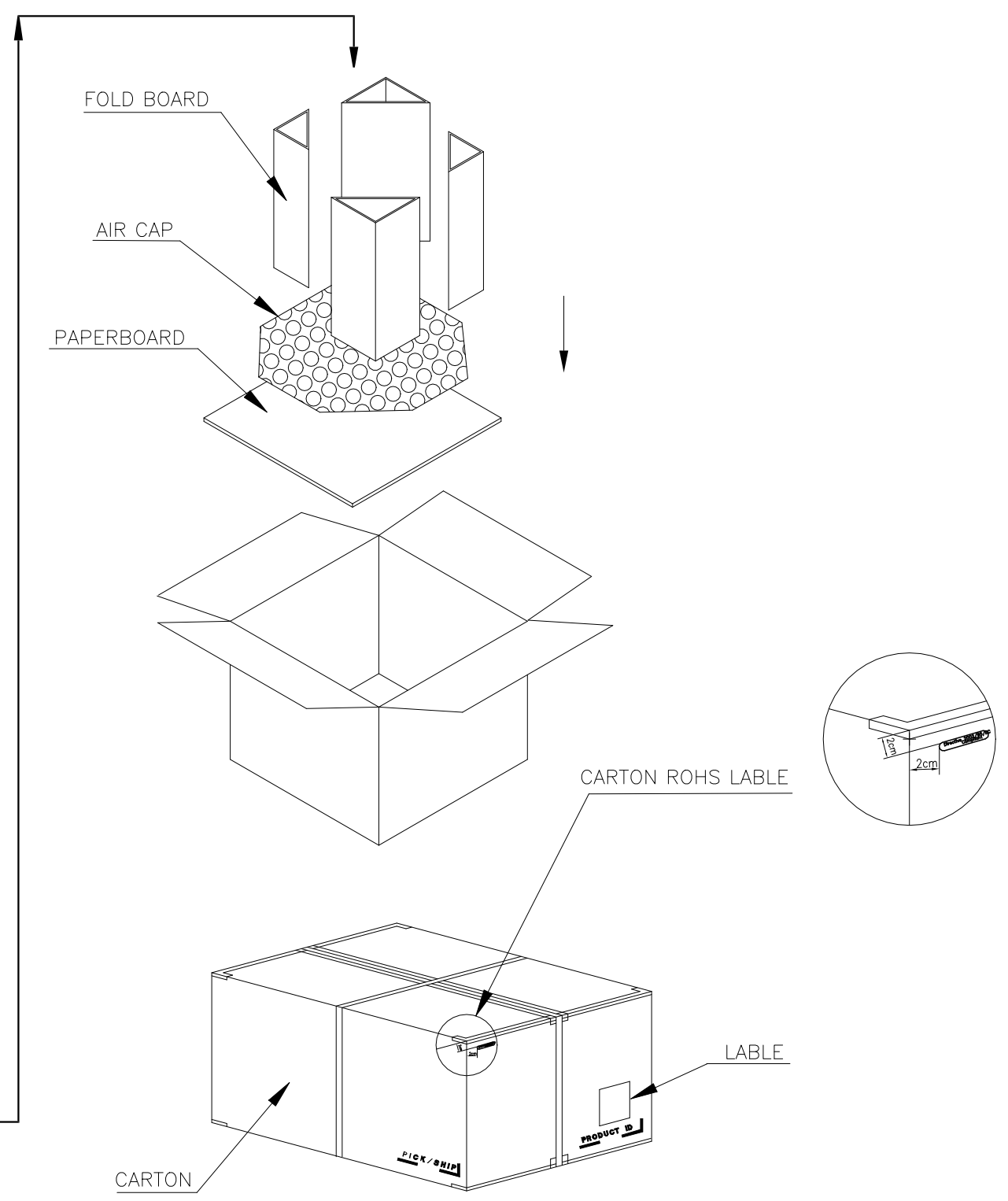
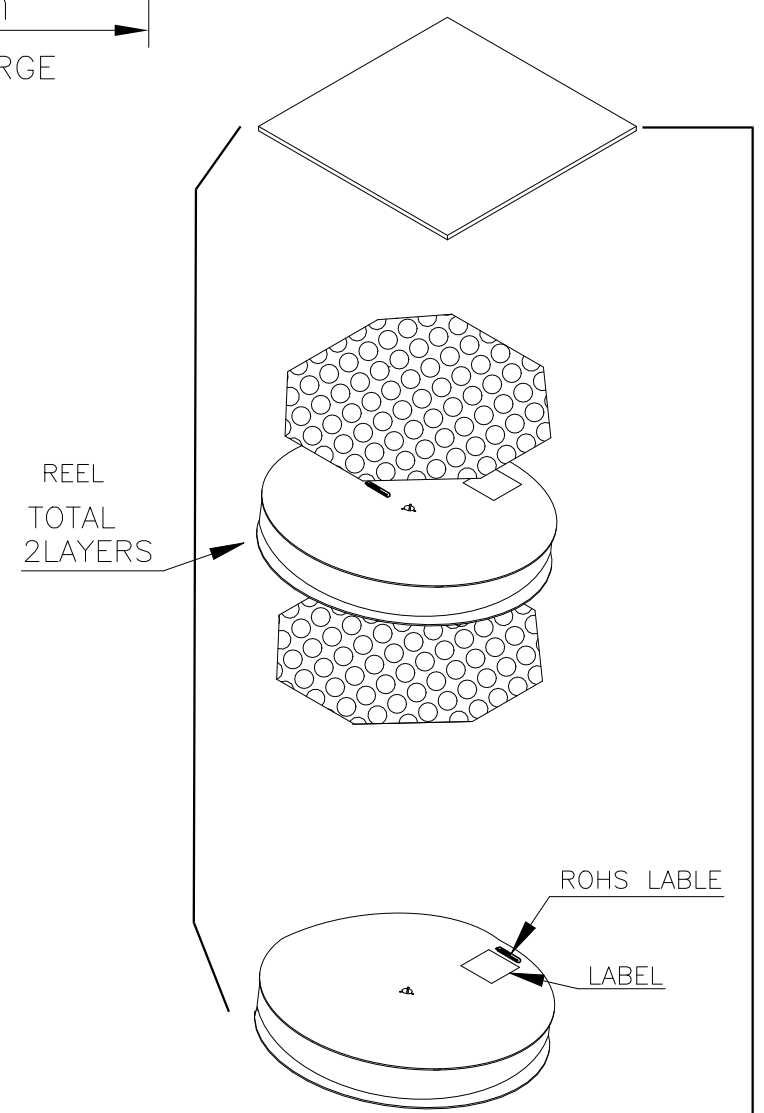
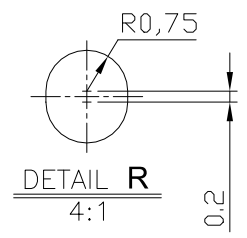
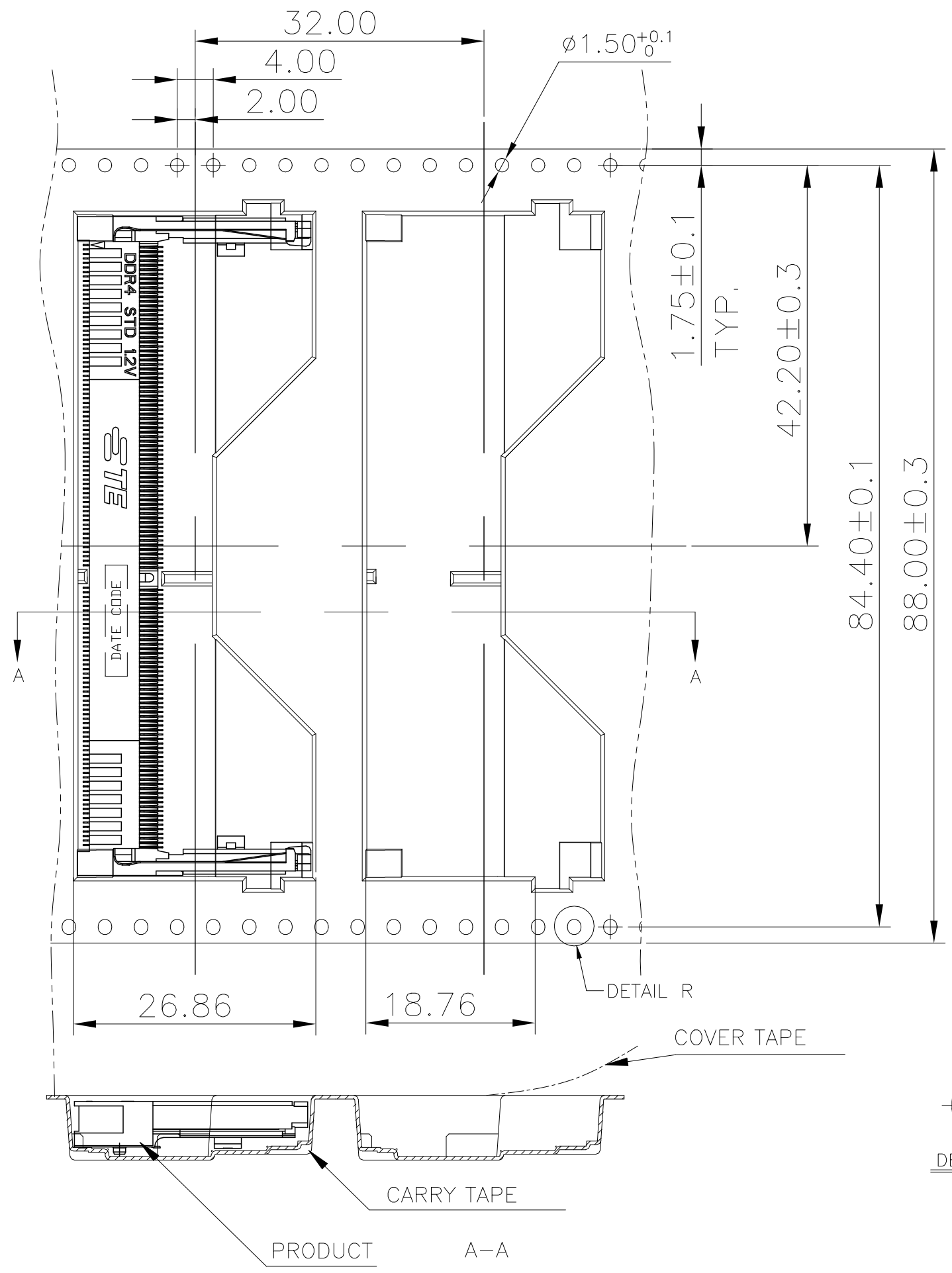
THIS DRAWING IS A CONTROLLED DOCUMENT.		DWN DAVID ZHAO 09SEP2016	TE TE Connectivity	
DIMENSIONS: mm		CHK RICHARD ,MA 09SEP2016		
TOLERANCES UNLESS OTHERWISE SPECIFIED:		APVD SIMON LI 09SEP2016	NAME	
0 PLC	±	PRODUCT SPEC	DDR4 SODIMM SOCKET	
1 PLC	±	APPLICATION SPEC	0.5mm PITCH 260POS	
2 PLC	±	WEIGHT	5.2mm HEIGHT STANDARD TYPE	
3 PLC	±	CUSTOMER DRAWING	SIZE A2	CAGE CODE 00779
4 PLC	±	SCALE 1:1	DRAWING NO	RESTRICTED TO
ANGLES	±	SHEET 2 OF 3	2309409	
FINISH	±	REV 5		

THIS DRAWING IS UNPUBLISHED. RELEASED FOR PUBLICATION
 © COPYRIGHT 2016 By TE connectivity ALL RIGHTS RESERVED.

REVISIONS					
P	LTR	DESCRIPTION	DATE	OWN	APVD
-	-		-	-	-



PULL OUT DIRECTION →



400	2	800	*-2309409-*
PCS/REEL	REEL/CARTON	PCS/CARTON	PART NUMBER

THIS DRAWING IS A CONTROLLED DOCUMENT.		DWN DAVID ZHAO 09SEP2016	
DIMENSIONS: mm		CHK RICHARD, MA 09SEP2016	
TOLERANCES UNLESS OTHERWISE SPECIFIED:		APVD SIMON LI 09SEP2016	NAME
0 PLC ±	1 PLC ±	PRODUCT SPEC	DDR4 SODIMM SOCKET
2 PLC ±	3 PLC ±	APPLICATION SPEC	0.5mm PITCH 260POS
4 PLC ±	ANGLES ±	WEIGHT	5.2mm HEIGHT STANDARD TYPE
MATERIAL	FINISH	CUSTOMER DRAWING	SIZE A2
		SCALE -	CAGE CODE 00779
		SHEET 3 of 3	DRAWING NO C=2309409
		REV 5	RESTRICTED TO

单击下面可查看定价，库存，交付和生命周期等信息

[>>TE Connectivity\(泰科\)](#)