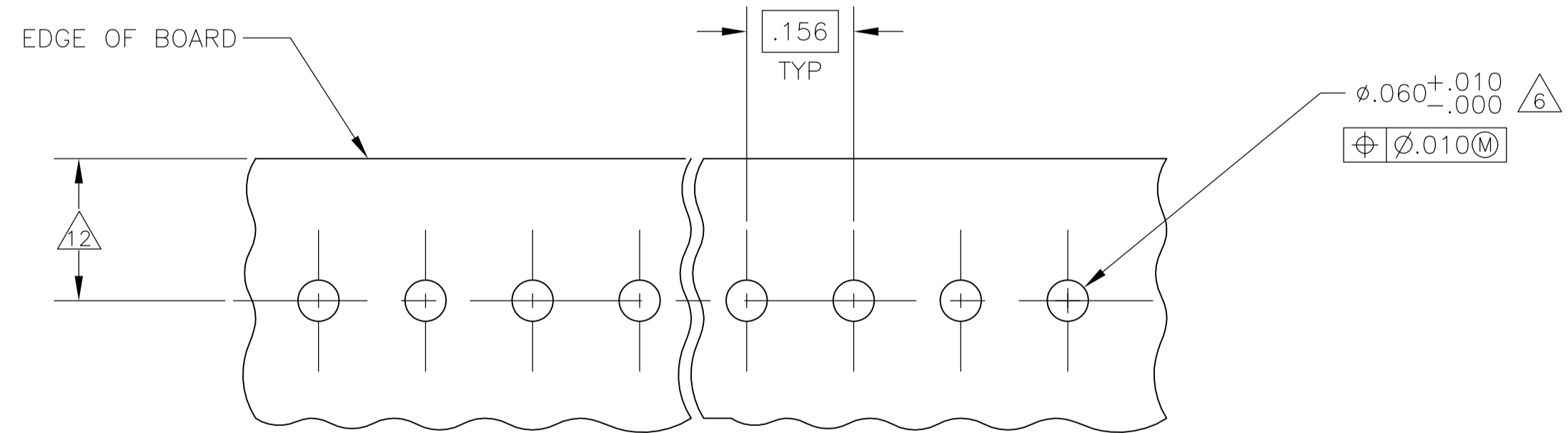
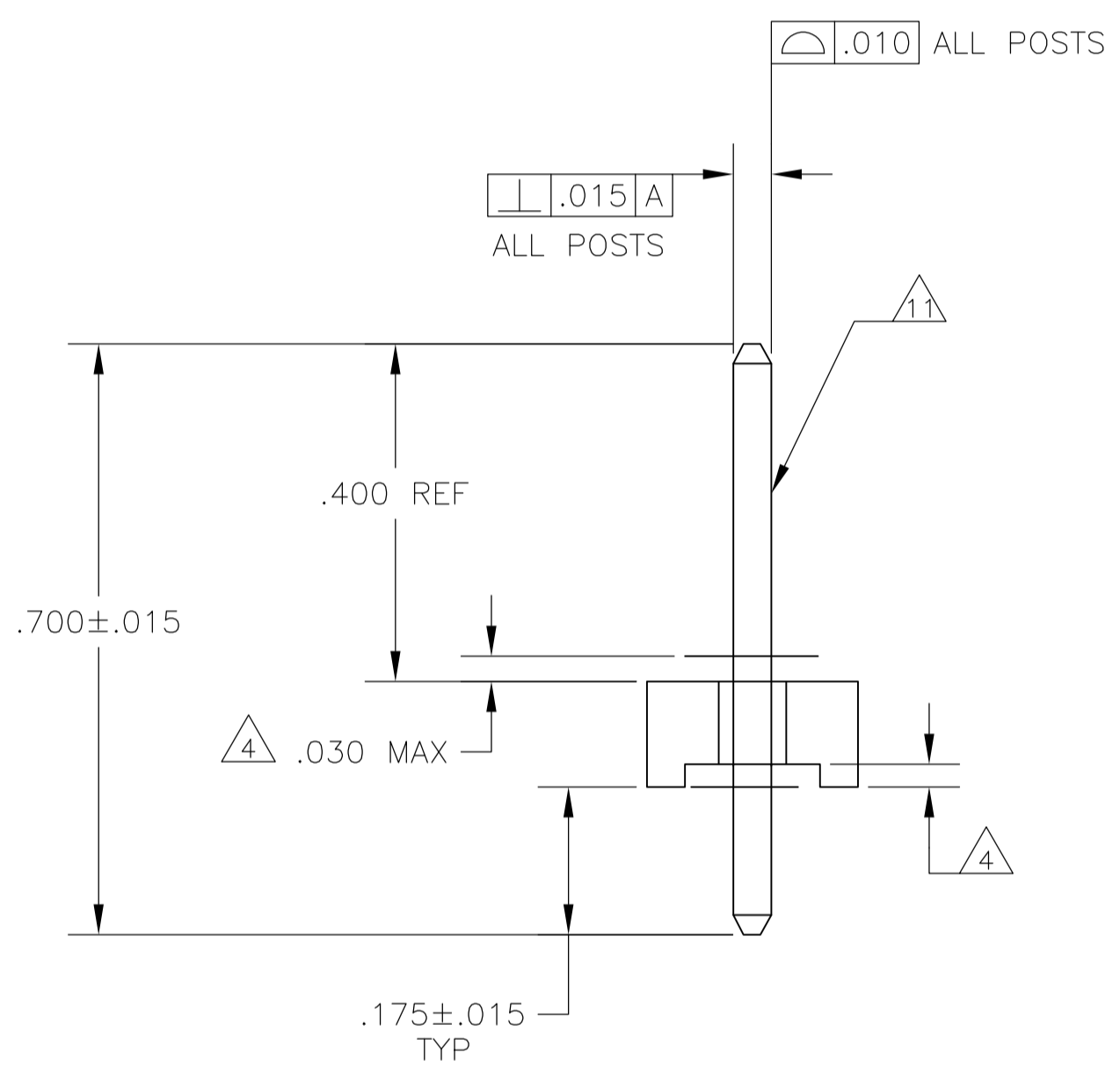
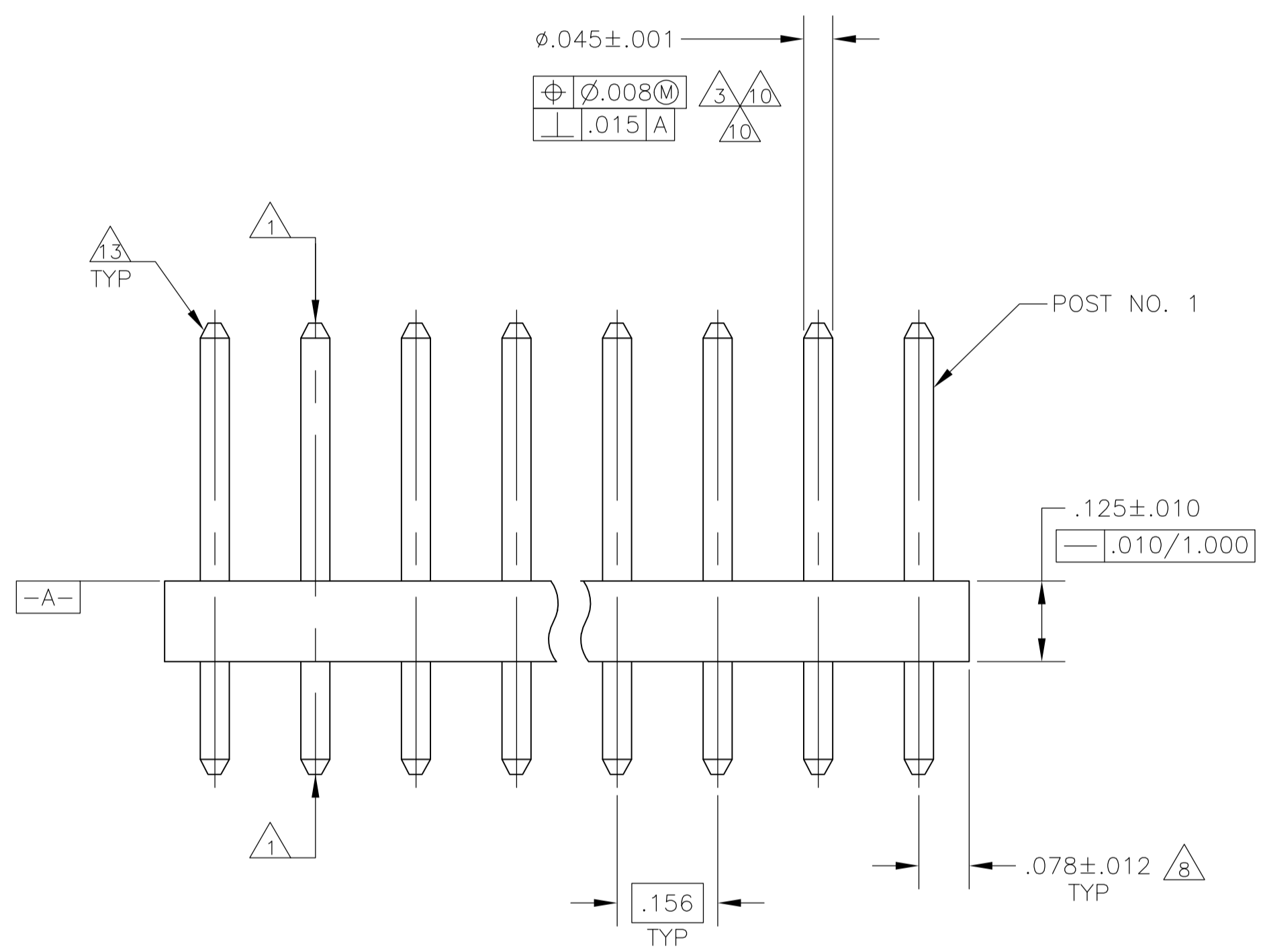
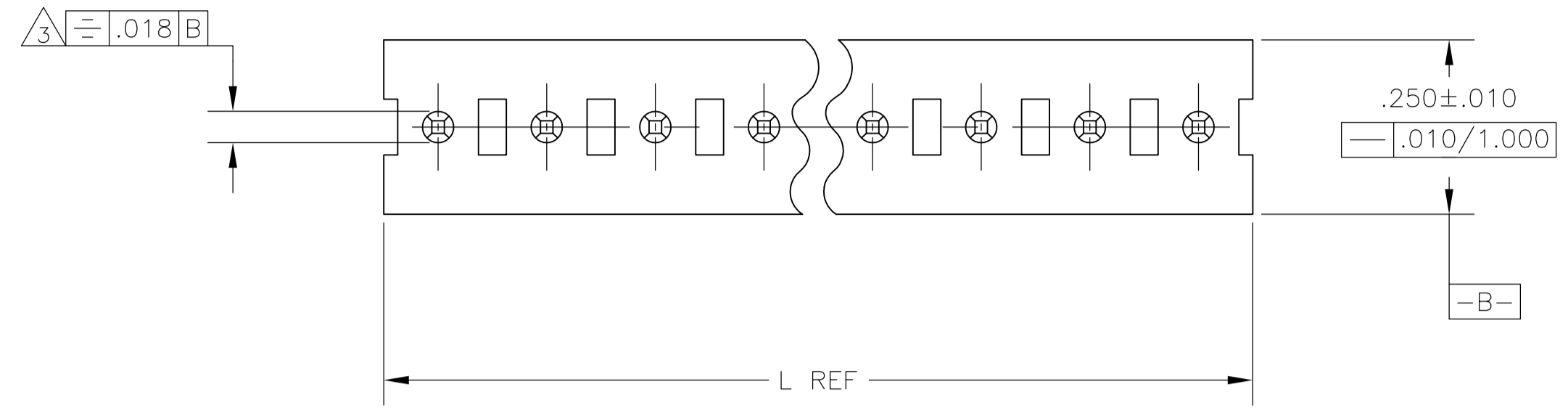


REV	DATE	DESCRIPTION	BY	APPV
D	05OCT12	REVISED PER ECO-12-016930	KH	SM
D1	30AUG13	ECR-12-016748	M.T	D.Z



Ⓜ RECOMMENDED MOUNTING HOLE PATTERN FOR .109±0.016 THICK P.C. BOARD

- 1 POST TO WITHSTAND 13 NEWTONS (3LBS.) MIN. AXIAL FORCE IN BOTH DIRECTIONS SHOWN WITHOUT DISLODGING.
- 2 TOLERANCES APPLY TO SOLDER SIDE OF BOARD.
- 3 MEASURED AT SURFACE -A-.
- 4 PLASTIC FLASH PERMITTED IN THIS AREA.
- 5 PARTS COMPLY WITH AMP SOLDERABILITY SPEC. NO. 109-11-2.
- 6 ONE HOLE MAY BE UNDERSIZED (.051/.046 DIA.) FOR ASSEMBLY RETENTION DURING WAVE SOLDERING.
- 7 MATERIAL: HEADER-THERMOPLASTIC POLYESTER GLASS-FILLED 94V-0(NATURAL) POST-COPPER ALLOY (TIN PLATED)
- 8 COORDINATE DIMENSION APPLIES FROM CENTER OF ACTUAL FEATURE.
- 9 PLASTIC BURRS CAUSED BY CUT-OFF TOOLING ARE PERMITTED WITHIN THE MAXIMUM TOLERANCE ENVELOPE.
- 10 POST TO BE MEASURED WHEN STRIP IS HELD FLAT.
- 11 POST MUST WITHSTAND TWO 90° BENDS AGAINST EXTRUSION WITHOUT BREAKING.
- 12 DIMENSION SHOULD BE .140 MIN WHEN MATING WITH A MTA 156 CONNECTOR ASSEMBLY OR A SL-156 CONNECTOR ASSEMBLY.
- 13 PIN BURR OF .005 MAX. VERTICAL AND .003 MAX. HORIZONTAL PERMITTED AT POST TIPS ON BOTH ENDS.

IN	MM	IN	MM
.046	1.17	1.000	25.40
.045	1.14	.750	19.05
.030	0.76	.450	11.43
.018	0.46	.250	6.35
.015	0.38	.175	4.45
.012	0.30	.156	3.96
.010	0.25	.140	3.56
.008	0.20	.125	3.18
.005	0.13	.078	1.98
.003	0.08	.063	1.60
.001	0.03	.060	1.52
.000	0.00	.051	1.30
IN	MM	IN	MM

CONVERSION TABLE

IN	MM	NUMBER OF POSITIONS	PART NUMBER
3.744	95.10	24	2-644750-4
3.588	91.14	23	2-644750-3
3.432	87.17	22	2-644750-2
3.276	83.21	21	2-644750-1
3.120	79.25	20	2-644750-0
2.964	75.29	19	1-644750-9
2.808	71.32	18	1-644750-8
2.652	67.36	17	1-644750-7
2.496	63.40	16	1-644750-6
2.340	59.44	15	1-644750-5
2.184	55.47	14	1-644750-4
2.028	51.51	13	1-644750-3
1.872	47.55	12	1-644750-2
1.716	43.59	11	1-644750-1
1.560	39.62	10	1-644750-0
1.404	35.66	9	644750-9
1.248	31.70	8	644750-8
1.092	27.74	7	644750-7
.936	23.77	6	644750-6
.780	19.81	5	644750-5
.624	15.85	4	644750-4
.468	11.89	3	644750-3
.312	7.92	2	644750-2

THIS DRAWING IS A CONTROLLED DOCUMENT.		DIN L SMITH 19APR94		TE Connectivity	
DIMENSIONS: INCHES		CHK R SWING 19APR94			
TOLERANCES UNLESS OTHERWISE SPECIFIED:		APPV D CLARK 05MAY94		NAME	
0 PLC ± -		PRODUCT SPEC		MTA-156 HEADER ASSEMBLY, PLAIN, STRAIGHT, .045 ROUND POST, TIN PLATED, SPECIAL	
1 PLC ± -		APPLICATION SPEC		SIZE CASE CODE DRAWING NO	
2 PLC ± -		WEIGHT		A1 00779 C=644750	
3 PLC ± .005		CUSTOMER DRAWING		SCALE 5:1 SHEET 1 OF 1 REV D1	
4 PLC ANGLES ± -					

单击下面可查看定价，库存，交付和生命周期等信息

[>>TE Connectivity\(泰科\)](#)