

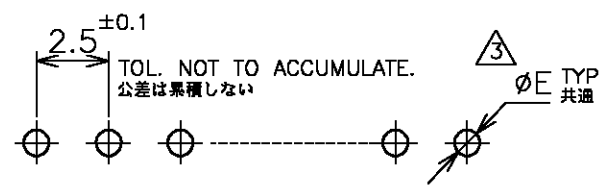
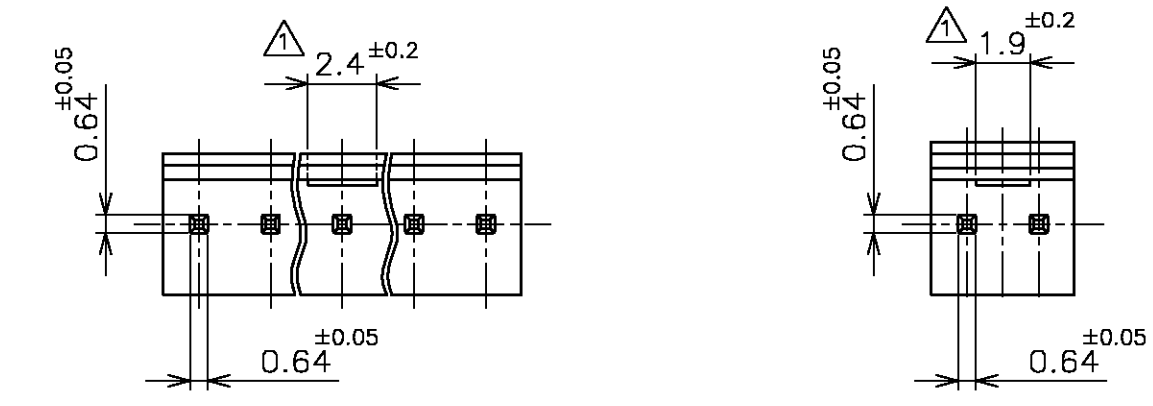
LOC	DIST	REVISIONS					
J	-	P	LTR	DESCRIPTION	DATE	DWN	APVD
		E		REVISED FJB0-0393-03	07MAY03	H.T	I.E

△ ロッキング凹部位置は長手方向の中央。
 △ 塩ビケース詰製品(自動機対応)は図番172800参照のこと。
 △ プリント基板穴径は下記参照してください。

△ LOCKING HOLE IS PLACED ON THE CENTER OF POST HEADER.
 △ REFERENCE TO P/N 172800 ABOUT TUBE PACKING ITEM FOR AUTO MOUNTING MACHINE.
 △ RECOMMENDED HOLE DIA DIMENSION ON PWB

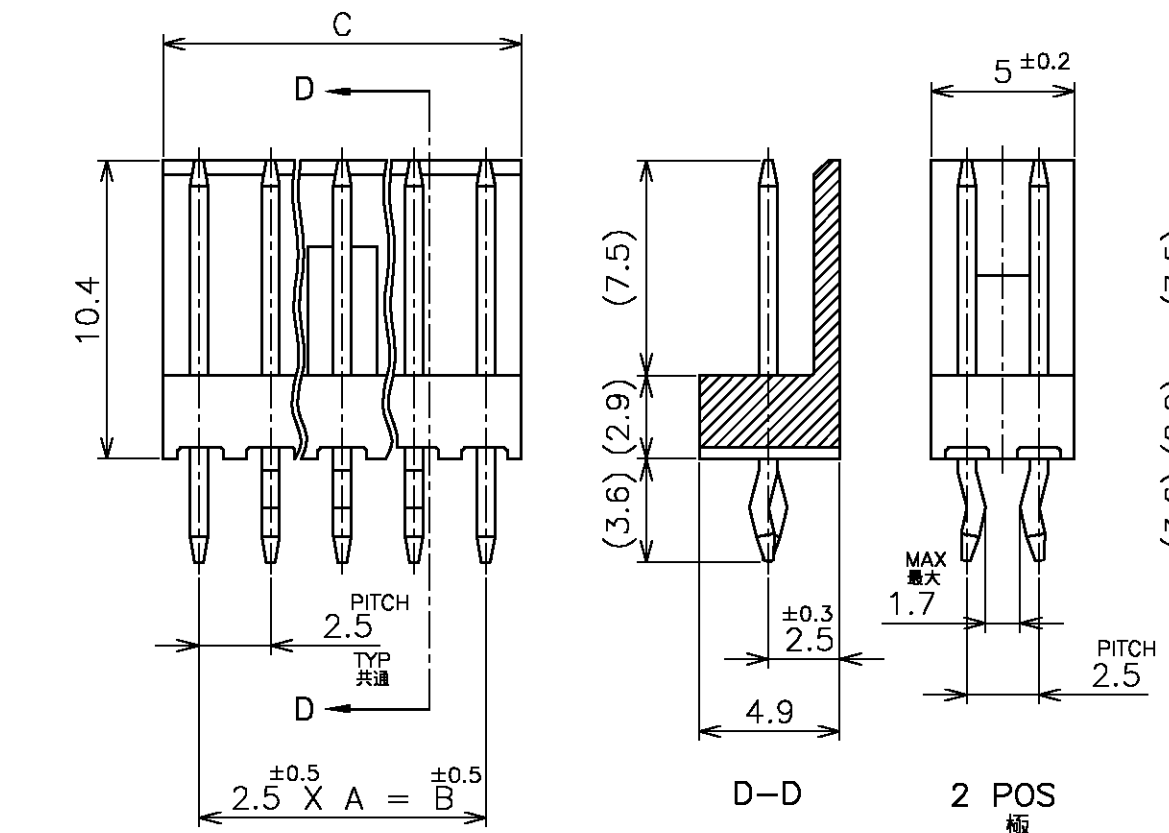
加工	パンチ加工穴	ドリル加工穴
穴径	0.9 ±0.1	1.1 ±0.05

HOLE DIA	POUNCHED HOLE	DRILL HOLE
φE	0.9 ±0.1	1.1 ±0.05

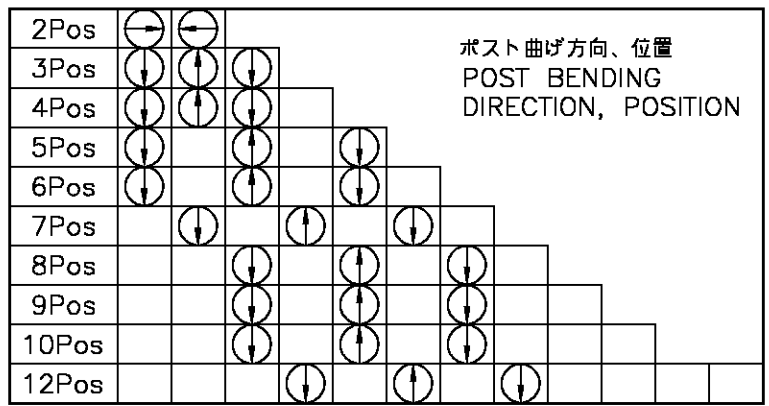


RECOMMENDED BOARD LAYOUT (1.6 THK)
 取付基板穴径(基板厚1.6t)

COLOR	±0.2 C		±0.5 B		A	NO OF POS 極数	TUBE PACKING P/N 塩ビケース詰 型番△	PART NUMBER 型番
	BULE 青色	BLACK 黒色	NATURAL 自然色	BULE 青色				
	30.0	27.5	11	12		5-172800-2	5-172732-2	
	25.0	22.5	9	10		5- ↑ -0	5- ↑ -0	
	22.5	20.0	8	9		4- -9	4- -9	
	20.0	17.5	7	8		4- -8	4- -8	
	17.5	15.0	6	7		4- -7	4- -7	
	15.0	12.5	5	6		4- -6	4- -6	
	12.5	10.0	4	5		4- -5	4- -5	
	10.0	7.5	3	4		4- -4	4- -4	
	7.5	5.0	2	3		4- -3	4- -3	
	5.0	2.5	---	2		4-172800-2	4-172732-2	
	30.0	27.5	11	12		3-172800-2	3-172732-2	
	25.0	22.5	9	10		3- ↑ -0	3- ↑ -0	
	22.5	20.0	8	9		2- -9	2- -9	
	20.0	17.5	7	8		2- -8	2- -8	
	17.5	15.0	6	7		2- -7	2- -7	
	15.0	12.5	5	6		2- -6	2- -6	
	12.5	10.0	4	5		2- -5	2- -5	
	10.0	7.5	3	4		2- -4	2- -4	
	7.5	5.0	2	3		2- -3	2- -3	
	5.0	2.5	---	2		2-172800-2	2-172732-2	
	30.0	27.5	11	12		1-172800-2	1-172732-2	
	25.0	22.5	9	10		1- ↑ -0	1- ↑ -0	
	22.5	20.0	8	9		-9	-9	
	20.0	17.5	7	8		-8	-8	
	17.5	15.0	6	7		-7	-7	
	15.0	12.5	5	6		-6	-6	
	12.5	10.0	4	5		-5	-5	
	10.0	7.5	3	4		-4	-4	
	7.5	5.0	2	3		-3	-3	
	5.0	2.5	---	2		172800-2	172732-2	



3~12 POS
極



THIS DRAWING IS A CONTROLLED DOCUMENT.

DWN: 06MAR84, A. IMAI
 CHK: 06MAR84, N. ONOUE
 APVD: 06MAR84, N. ONOUE

PRODUCT SPEC: 製品規格
 APPLICATION SPEC: 取付適用規格

MATERIAL: HSG: 66NYLON UL94V-0, POST: BRASS
 FINISH: 仕上, POST: TIN-PLATE

tyco Electronics
 Tyco Electronics AMP K.K.
 Kawasaki, Japan

NAME: 名称
 POST HEADER ASSY (VERTICAL) WITH KINK
 AMP EI SERIES CONNECTOR

SIZE: A3, CAGE CODE: 00779, DRAWING NO: 172732, RESTRICTED TO: 番号

SCALE: 4:1, SHEET: 1 OF 1, REV: E

单击下面可查看定价，库存，交付和生命周期等信息

[>>TE Connectivity\(泰科\)](#)