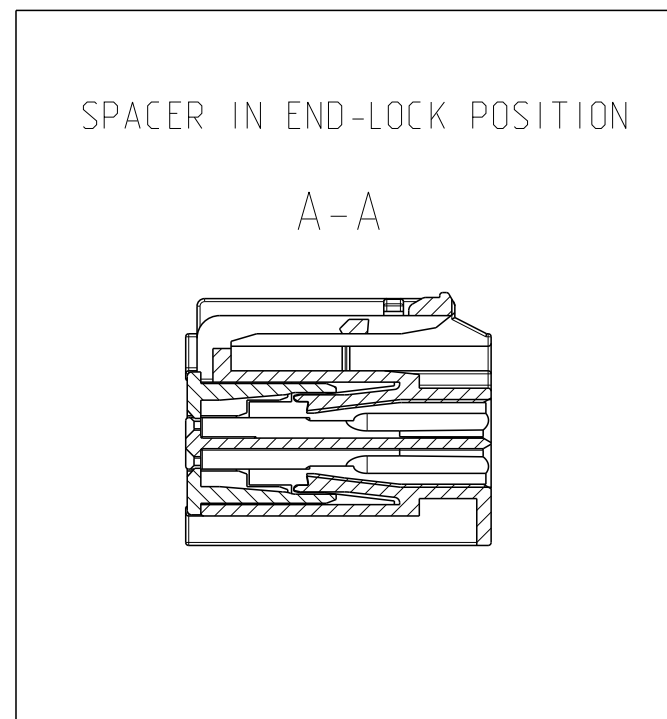
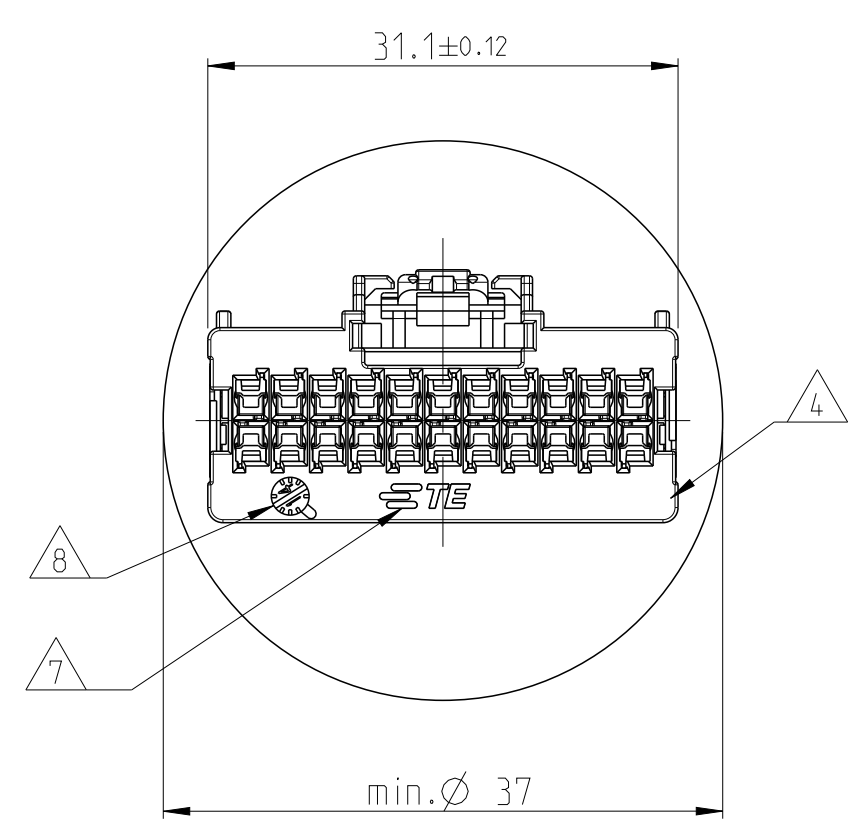
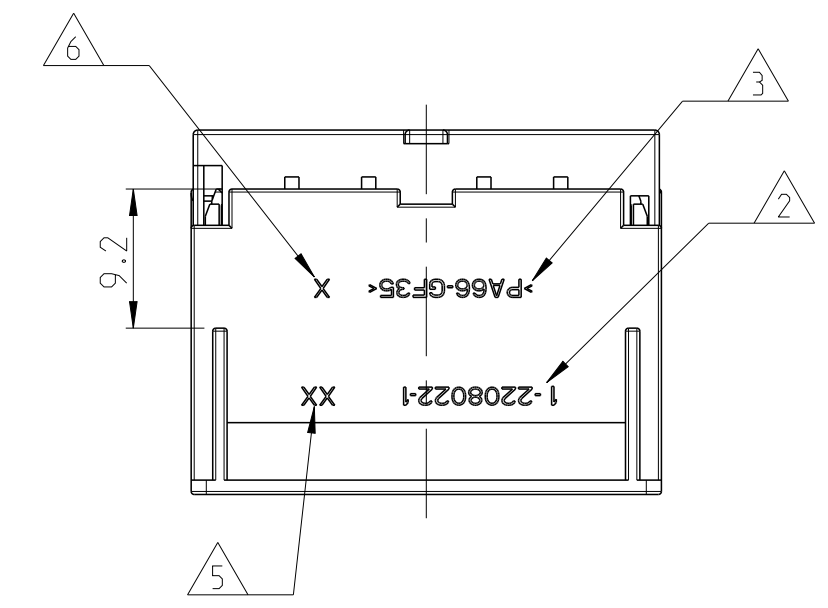
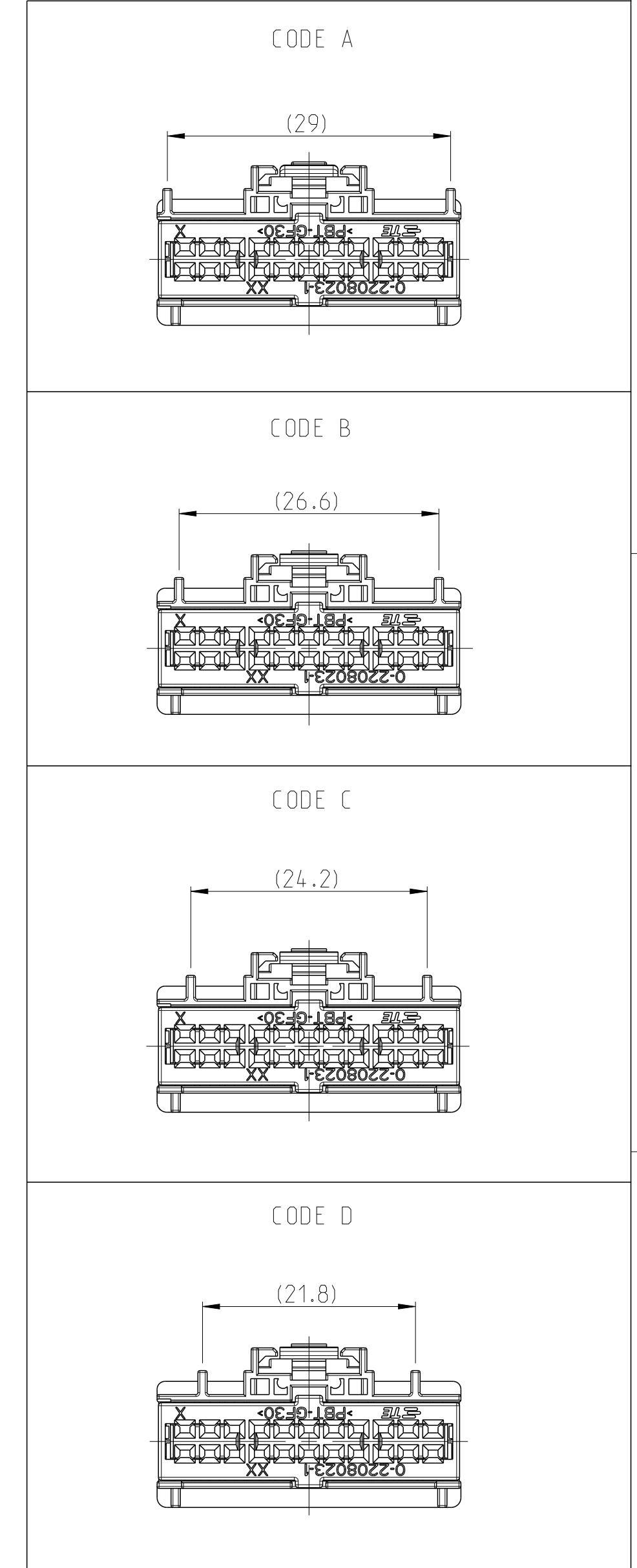


LOC	DIST	REVISIONS					
		P	LTN	DESCRIPTION	DATE	DWN	APVD
A1	-	A		NEW DRAWING	03MAY2012	MK	GS
		B		SEE PCN E-14-017643	27NOV2014	MK	GS
		B1		SEE PCN E-15-013467	14SEP2015	SH	GS

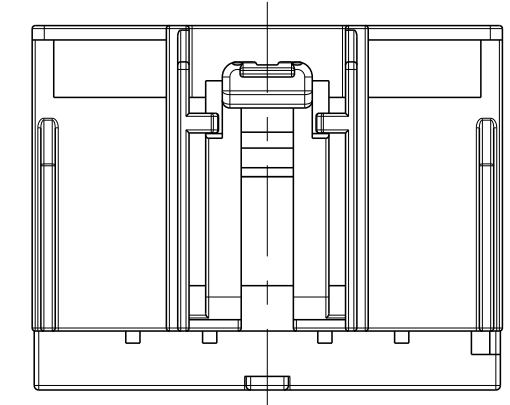
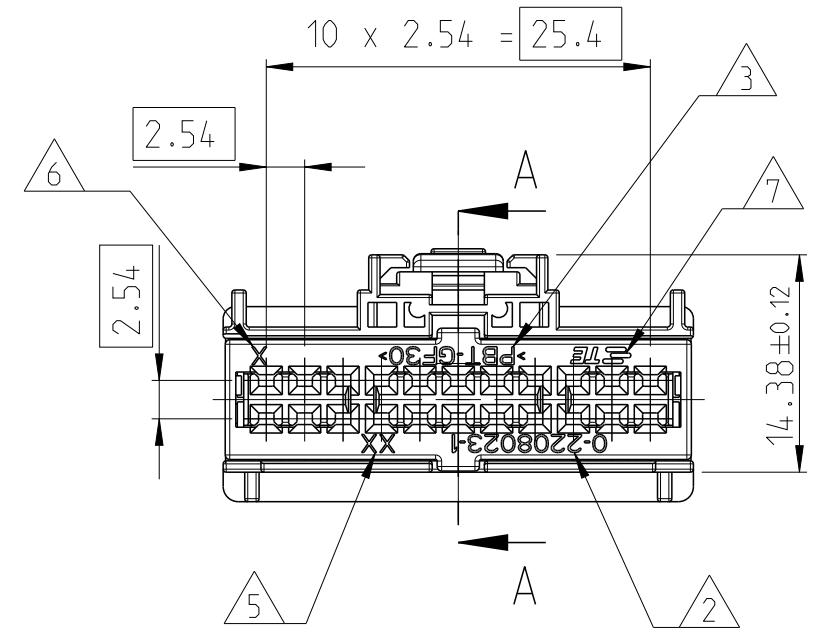
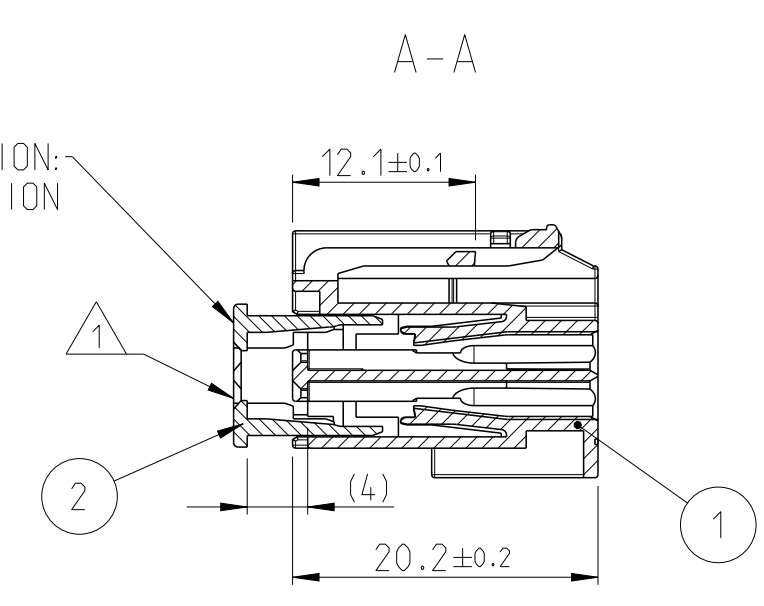


NOTE:

- 1 SPACER IN PRE-LOCK POSITION
- 2 PART NUMBER
- 3 MATERIAL IDENTIFICATION
- 4 TERMINAL POSITION NUMBERS
- 5 PRODUCT REVISION LEVEL
- 6 MOLD CAVITY NUMBER
- 7 COMPANY LOGO
- 8 PRODUCTION DATE
- 9 PACKAGING: CONNECTOR ASSEMBLIES TO BE TRAY PACKED IN CARDBOARD BOX



DELIVERY CONDITION: SPACER IN PRE-LOCK POSITION



REV	ASSY PN	QUANTITY	MATERIAL	DESCRIPTION	COLOUR	ITEM NO
B	1-2208021-4 COD. D	1	PBT-GF30	SPACER	RED	2
B	1-2208021-3 COD. C	1	PA66-GF35	2x11 POS. FEMALE HSG. COD. D	GREEN	1
B	1-2208021-2 COD. B	1	PA66-GF35	2x11 POS. FEMALE HSG. COD. C	GREY	1
B	1-2208021-1 COD. A	1	PA66-GF35	2x11 POS. FEMALE HSG. COD. B	NATURE	1
B	1-2208021-1 COD. A	1	PA66-GF35	2x11 POS. FEMALE HSG. COD. A	BLACK	1

1-2208021-1 IS SHOWN

THIS DRAWING IS A CONTROLLED DOCUMENT. DWN: M. Kressmann 03MAY2012  
 CHK: G. Steinbach 04MAY2012  
 APVD: G. Mumber 04MAY2012

DIMENSIONS: mm TOLERANCES UNLESS OTHERWISE SPECIFIED:  
 0 PLC ±0.3  
 1 PLC ±0.3  
 2 PLC ±#  
 3 PLC ±#  
 4 PLC ±#  
 ANGLES ±#1

MATERIAL: - FINISH: - WEIGHT: -

Customer Drawing

NAME: 22 POS. 0.64 GENERATION Y REC. HSG. ASSY  
 SIZE: A1 CAGE CODE: 00779 DRAWING NO: C=2208021  
 RESTRICTED TO: -

SCALE: 2:1 SHEET: 1 OF 1 REV: B1

STE TE Connectivity

单击下面可查看定价，库存，交付和生命周期等信息

[>>TE Connectivity\(泰科\)](#)