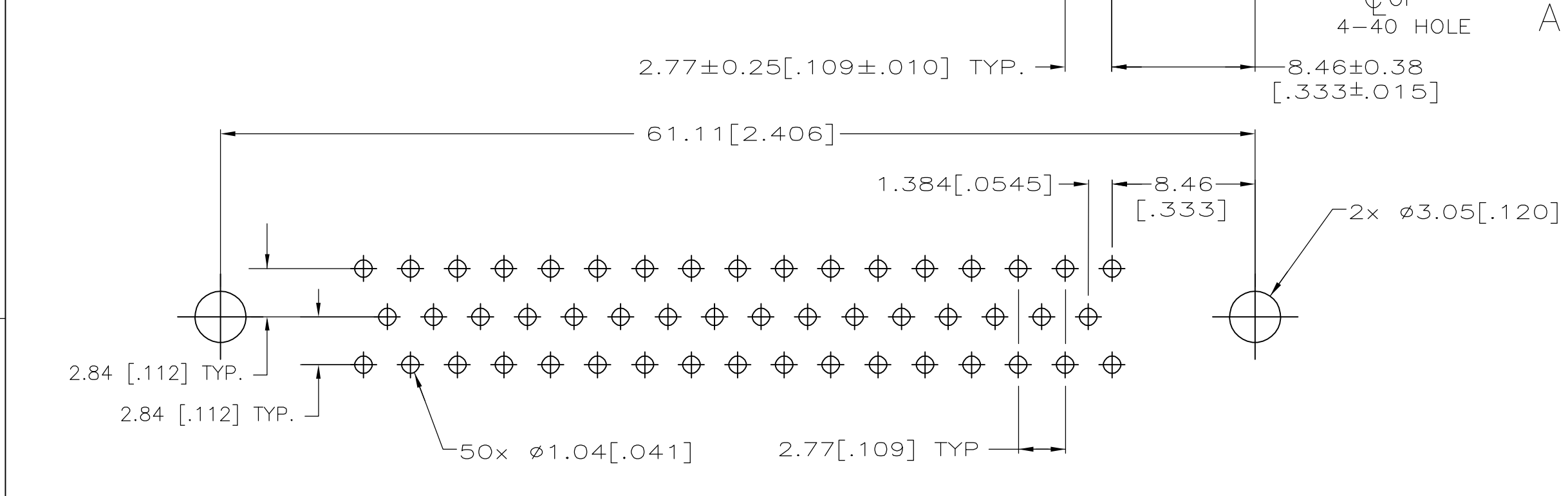
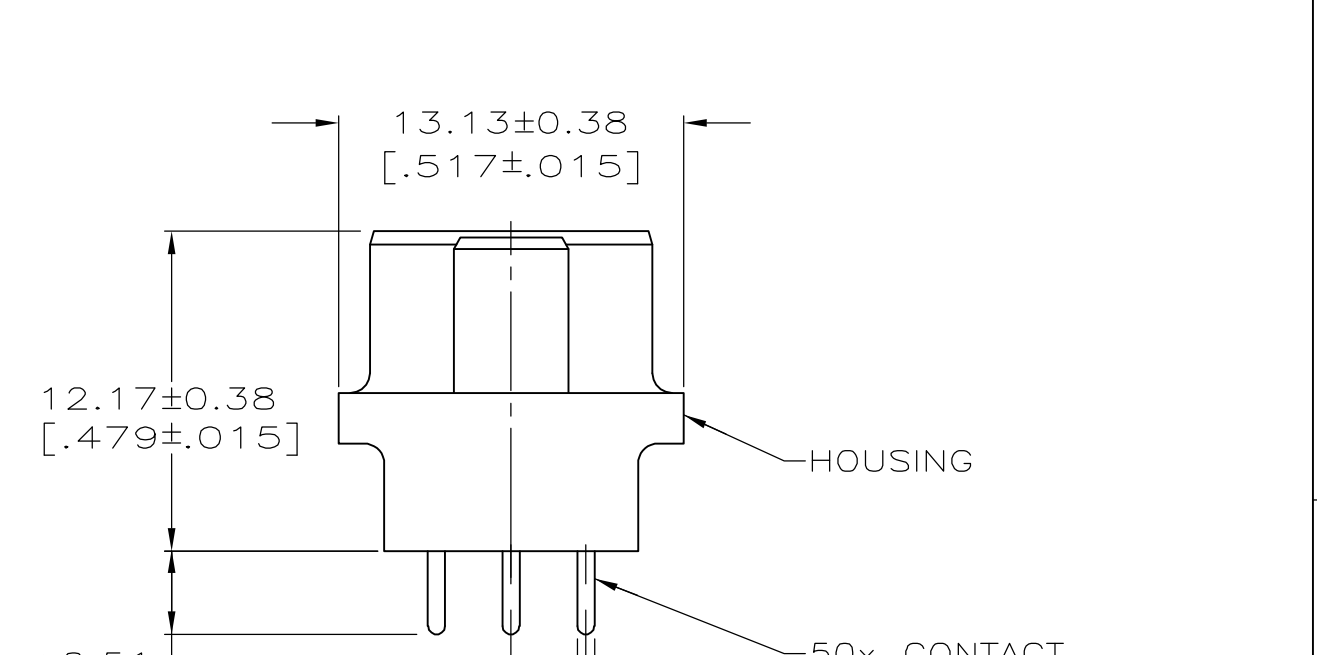
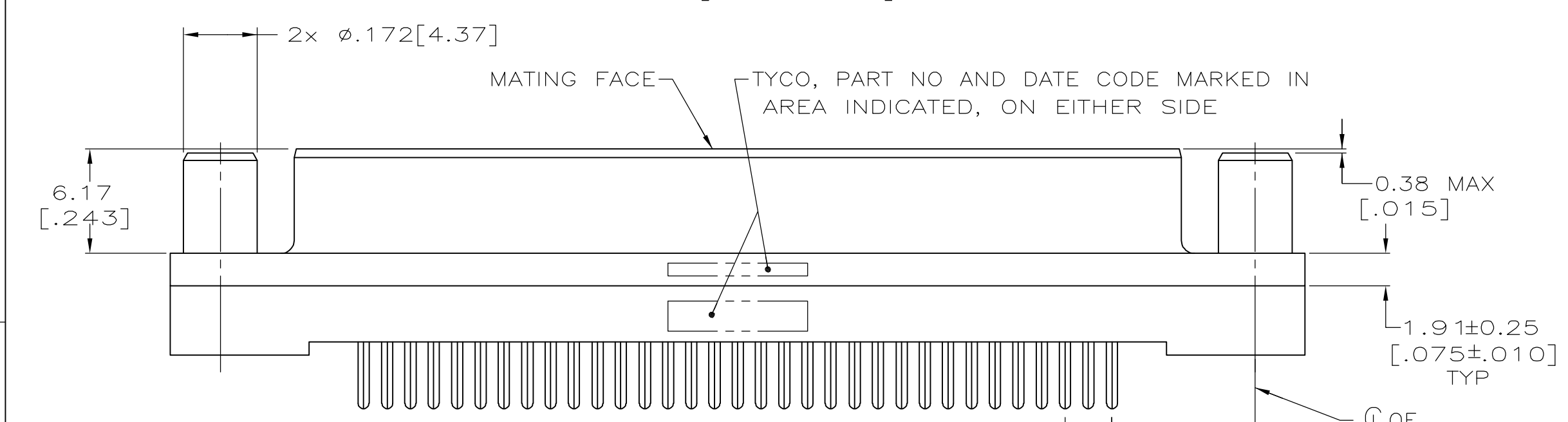


THIS DRAWING IS UNPUBLISHED.		RELEASED FOR PUBLICATION		REVISIONS	
© COPYRIGHT BY TYCO ELECTRONICS CORPORATION. ALL RIGHTS RESERVED.				LOC	DIST
				GP	00
P	LTR	DESCRIPTION	DATE	DWN	APVD
	0	RELEASED PER EC 0S13-0087-05	14SEP05	GP	JG

- 1 HOUSING: BLACK POLYESTER, UL 94V-0 RATED; CONTACTS: PHOSPHOR BRONZE; SCREWLOCKS: BRASS.
- 2 CONTACTS: 0.76 μm [.000030] MIN GOLD FOR A LENGTH OF 2.54 [.100] MIN FROM MATING END, 2.54 μm [.000100] MIN TIN ON OPPOSITE END, ALL OVER 1.27 μm [.000050] MIN NICKEL. SCREWLOCKS: 1.27 μm [.000050] MIN NICKEL OVER COPPER FLASH.



4.32 [.170]	5745080-6
3.18 [.125]	5745080-4
A	PART NO

RECOMMENDED PC BOARD MOUNTING DIMENSIONS

**COPYRIGHT 2005  
TYCO ELECTRONICS CORP  
ALL RIGHTS RESERVED**

THIS DRAWING IS A CONTROLLED DOCUMENT.		DWN	G.PETERS	14SEP05	<b>tyco</b> Electronics	Tyco Electronics Corporation Harrisburg, PA 17105-3608	
DIMENSIONS: mm [INCHES]		CHK	S.BOLASH	14SEP05		RECEPTACLE ASSEMBLY, SIZE 5, 50 POSN, VERTICAL, AMPLIMITE HD-20	
TOLERANCES UNLESS OTHERWISE SPECIFIED:		APVD	M.WALMSLEY	14SEP05	NAME		
0 PLC	± -	PRODUCT SPEC	108-40025		SIZE	CAGE CODE	DRAWING NO
1 PLC	± -	APPLICATION SPEC			A2	00779	5745080
2 PLC	± 0.13 [.005]				SCALE	4:1	SHEET 1 OF 1
3 PLC	± -				REV	0	
4 PLC	± -						
ANGLES	± ± 2'						
MATERIAL		WEIGHT			CUSTOMER DRAWING		

单击下面可查看定价，库存，交付和生命周期等信息

[>>TE Connectivity\(泰科\)](#)