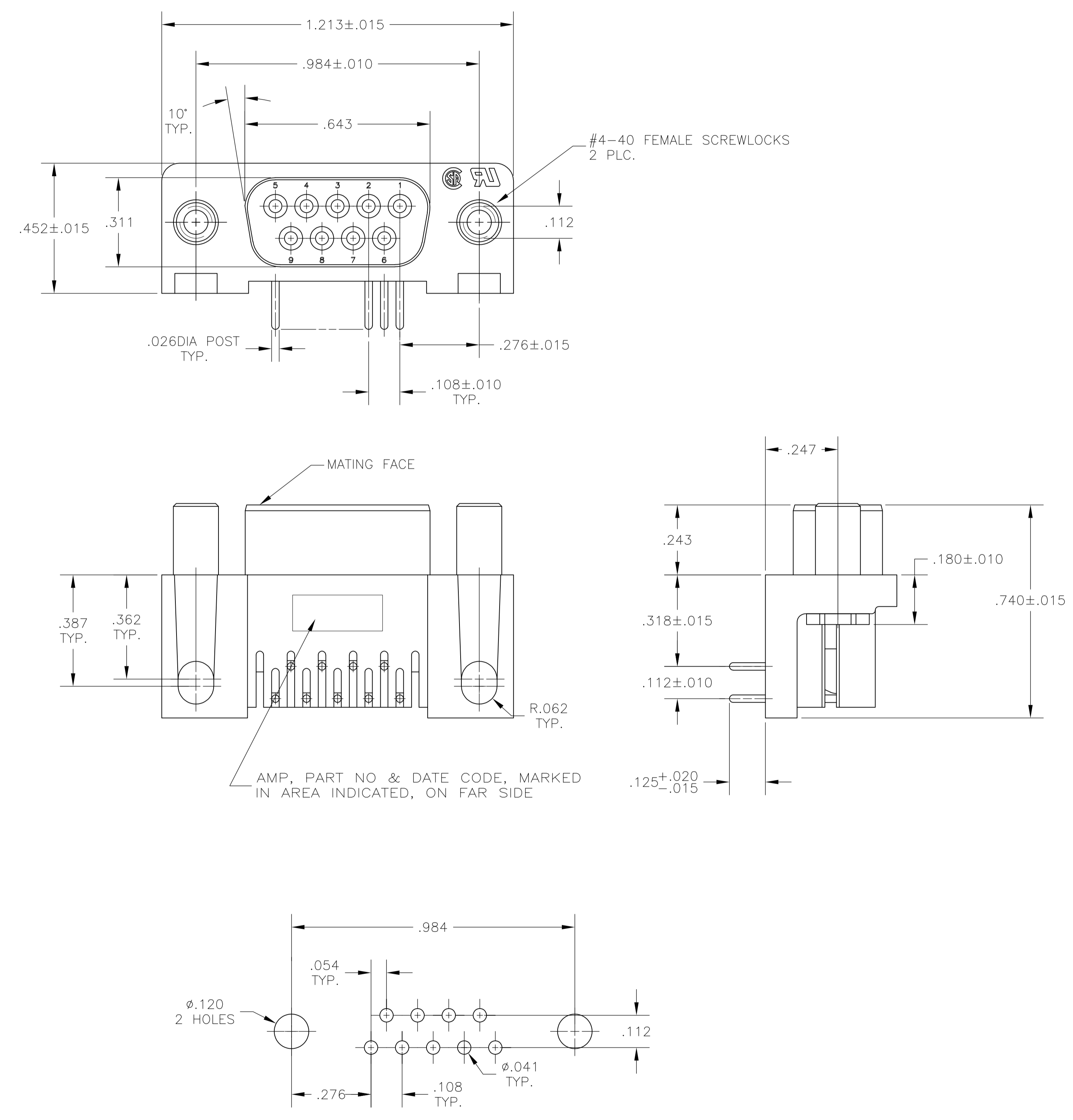


LOC		DIST		REVISIONS			
P	LTR	DESCRIPTION	DATE	DN	APVD		
F1		REVISED PER ECO-09-024927	07NOV09	KK	AEG		



- 1 FLAME RETARDANT, 94V-0 RATED, GLASS FILLED NYLON OR POLYESTER, COLOR: BLACK.
- 2 PHOS. BRONZE PER QQ-B-750.
- 3 REFER TO APPLICATION SPEC FOR RECOMMENDED P.C. BOARD MOUNTING DIMENSIONS FOR AUTOMATIC INSERTION.
- 4 GOLD PLATING PER MIL-G-45204, TIN PLATING PER MIL-T-10727, NICKEL PLATING PER QQ-N-290.
- 5 PLATED WITH GOLD FLASH FOR LENGTH OF .055 MIN FROM MATING END, WITH POINT OF MEASUREMENT .035 FROM MATING END OF CONTACT, .000100-.000200 TIN OR TIN-LEAD ON SOLDER END, ALL OVER .000050 NICKEL ON ENTIRE CONTACT.
- 6 PLATED WITH .000030 GOLD FOR LENGTH OF .055 MIN FROM MATING END, WITH POINT OF MEASUREMENT .035 FROM MATING END OF CONTACT, .000100-.000200 TIN OR TIN-LEAD ON SOLDER END, ALL OVER .000050 NICKEL ON ENTIRE CONTACT.
- 7 OBSOLETE PARTS: OBSOLETE CIS STREAMLINING PER D.RENAUD/D.SINISI

P.C. BOARD MOUNTING DIMENSIONS 3

SUPSEDED	TUBES	6	-745395-3-
	TRAYS	6	745395-2
SUPSD BY 745395-2	-	5	745395-1
	PACKAGING	FINISH	PART NUMBER

THIS DRAWING IS A CONTROLLED DOCUMENT.		DIN S. WELDON 5-5-87	Tyco Electronics Corporation Harrisburg, Pa 17105-3608	
DIMENSIONS: INCHES		CIK C. RICHARD 5-5-87	NAME: B. TAYLOR 5-5-87	
TOLERANCES UNLESS OTHERWISE SPECIFIED:		PRODUCT SPEC: RECEPTACLE ASSY, SIZE 1, 9 POSN, RIGHT ANGLE, .318 SERIES, Ø.026 POSTS, W/ FEMALE SCREWLOCKS, AMPLIMITE® HD-20		
0 PLC ± -		APPLICATION SPEC: 108-40005		
1 PLC ± -		SIZE: 114-40015		
2 PLC ± -		SCALE: 4:1		
3 PLC ± .005		SHEET 1 OF 1		
4 PLC ± -		REV F1		
ANGLES ± °		CUSTOMER DRAWING		
MATERIAL: MOLDED PARTS: A CONTACTS: A SCREWLOCKS: ZINC	FINISH: CONTACTS: SEE TABLE SCREWLOCKS: CLEAR CHROMATE	WEIGHT: -	SIZE: A1 00779 C=745395	RESTRICTED TO: -

单击下面可查看定价，库存，交付和生命周期等信息

[>>TE Connectivity\(泰科\)](#)