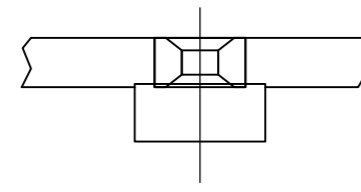
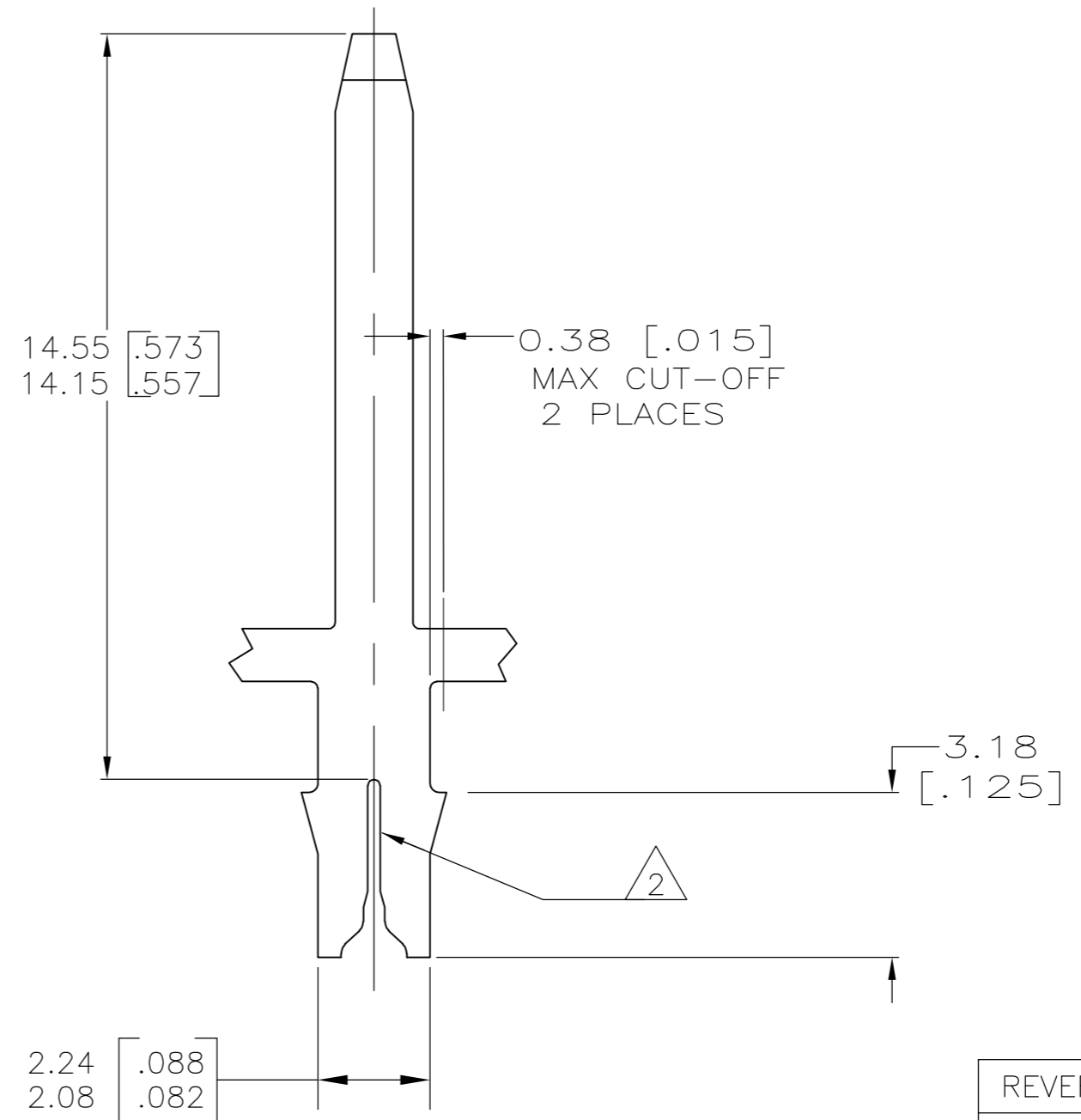
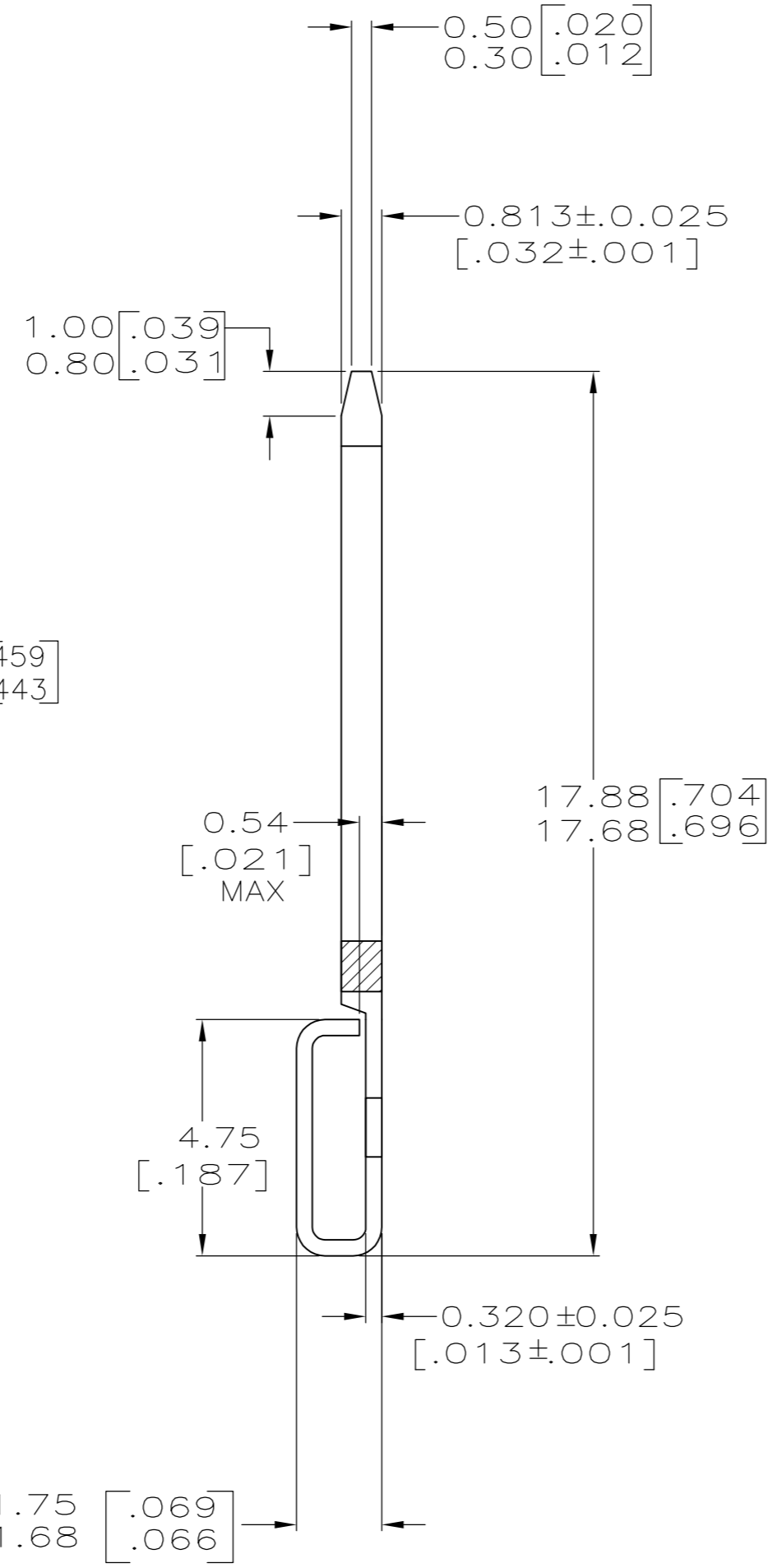
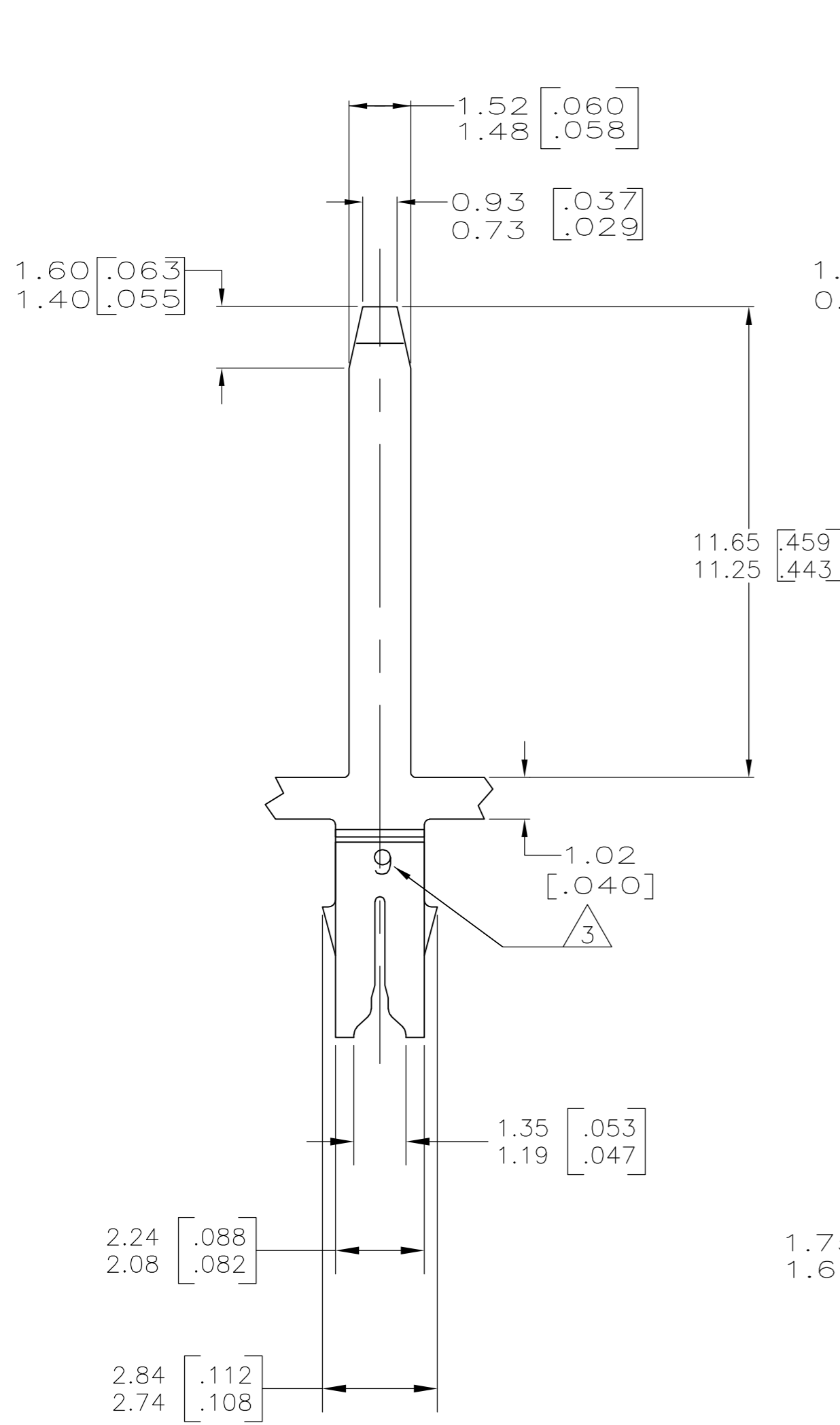


THIS DRAWING IS UNPUBLISHED. RELEASED FOR PUBLICATION
 © COPYRIGHT BY TYCO ELECTRONICS CORPORATION. ALL INTERNATIONAL RIGHTS RESERVED.

LOC		DIST		REVISIONS					
AF		50		P	LTR	DESCRIPTION	DATE	DWN	APVD
				A3		REVISED PER ECR-09-001123	23JAN09	HMR	KR



- 1 CONTINUOUS STRIP ON REELS (NO SPLICES) WITH TERMINALS LOCATED ON 5.08±0.08 [.200±.003] CENTERS.
- 2 SLOT ACCEPTS 0.36-0.45mm [#27-#25] AWG BARE COPPER WIRE.
- 3 IDENTIFICATION NUMBER 9 FOR WIRE SLOT SIZE.
- 4 0.00203 [.000080] MIN TIN PLATE OVER 0.00254 [.000100] MIN COPPER UNDERPLATE.
- 5 0.00203 [.000080] MIN TIN PLATE OVER 0.00127 [.000050] MIN NICKEL UNDERPLATE.
- 6 APPLICATION SPEC 114-2069 MODIFIED WITH 2.46-2.62 [.097-.103] CAVITY WIDTH.
- 7 PRELIMINARY - NOT FOR PRODUCTION.



REVERSED	5	7	1742653-3
STANDARD	5		1742653-2
STANDARD	4	7	1742653-1
REELING	FINISH	PART NUMBER	

THIS DRAWING IS A CONTROLLED DOCUMENT.

DIMENSIONS: INCHES	TOLERANCES UNLESS OTHERWISE SPECIFIED:	DWN: MICHAEL S. FEHER 02NOV2007	CHK: KURT A. RANDOLPH 02NOV2007	APVD: KURT A. RANDOLPH 02NOV2007	NAME: KURT A. RANDOLPH	Tyco Electronics Corporation Harrisburg, PA 17105-3608			
	0 PLC ± -	PRODUCT SPEC		108-2012		SIZE: A2	CAGE CODE: 00779	DRAWING NO: 1742653	RESTRICTED TO: -
	1 PLC ± -	APPLICATION SPEC		114-2069		SCALE: 8:1	SHEET: 1 of 1	REV: A3	
	2 PLC ± 0.25 [.010]	MATERIAL: H04 PRE-MILLED BRASS		FINISH: SEE TABLE		CUSTOMER DRAWING			
	3 PLC ± -								
	4 PLC ± -								
	ANGLES ± -								

单击下面可查看定价，库存，交付和生命周期等信息

[>>TE Connectivity\(泰科\)](#)