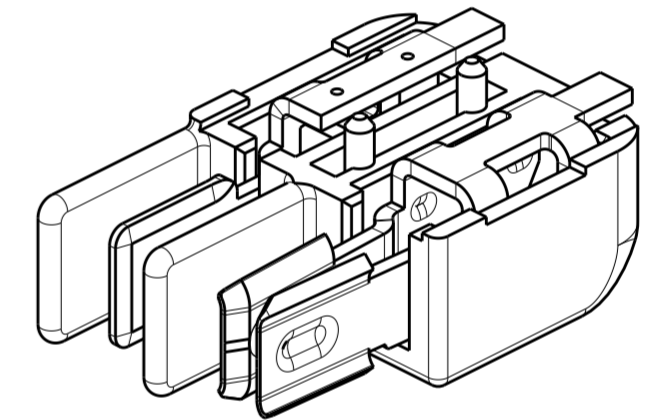
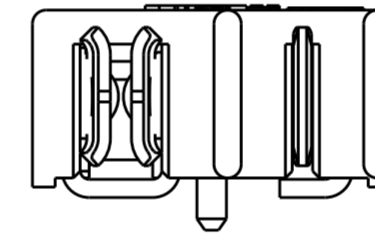
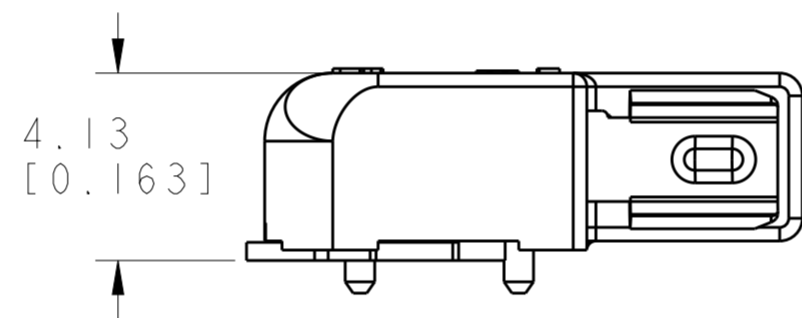
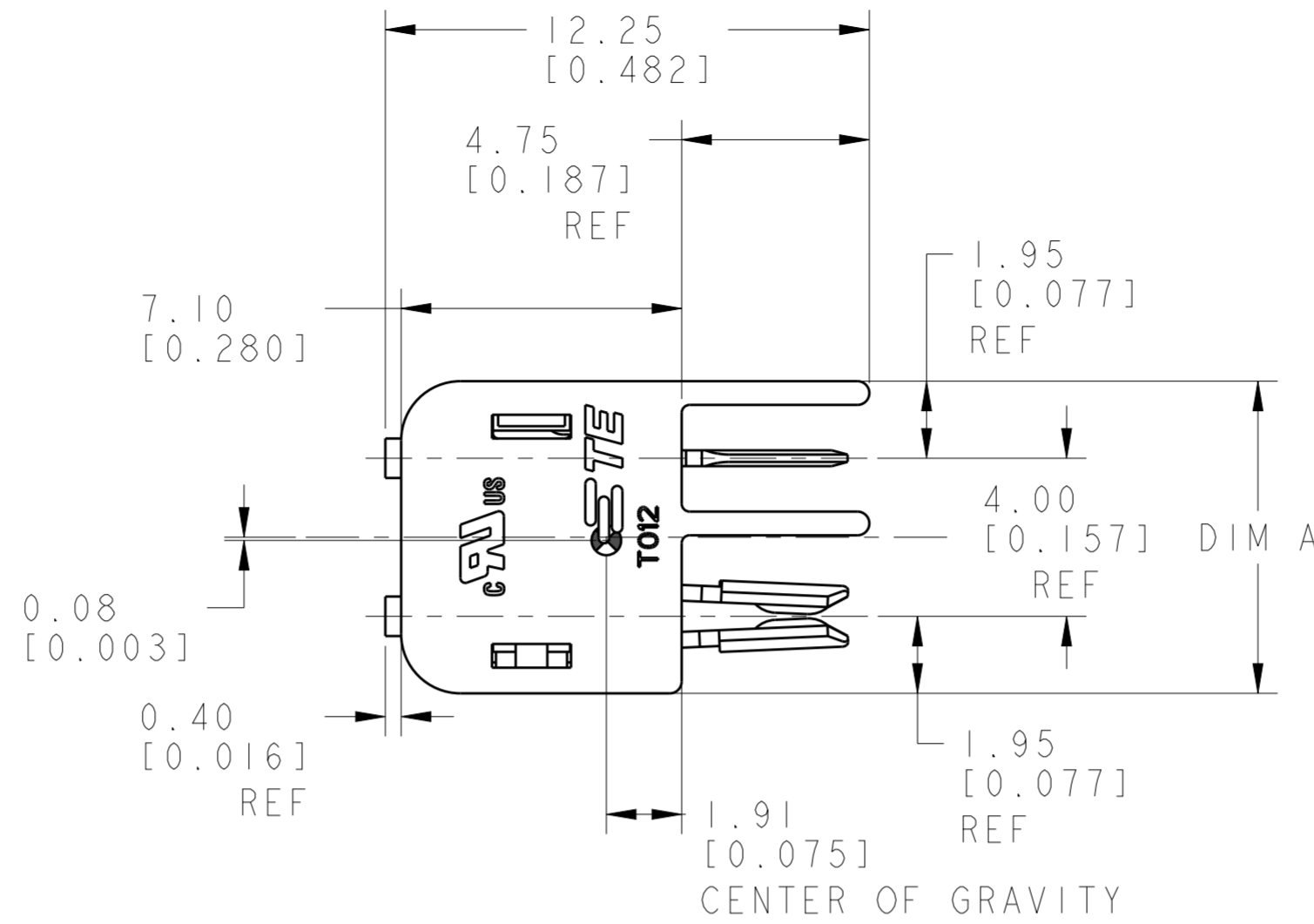


THIS DRAWING IS UNPUBLISHED. RELEASED FOR PUBLICATION 20
 © COPYRIGHT 20 BY - ALL RIGHTS RESERVED.

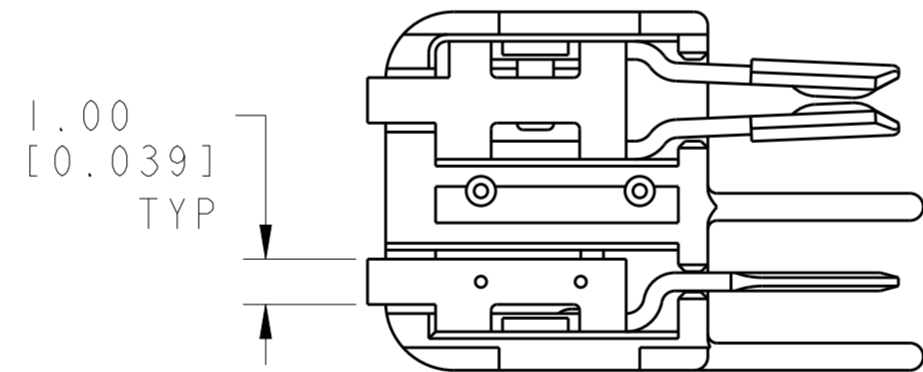
REVISIONS							
LOC	DIST	P	LTR	DESCRIPTION	DATE	DWN	APVD
-	-		A	REVISED PER ECR-16-005567	19APR2016	RS	DD
			AI	REVISED PER ECR-16-010299	20JUL2016	RS	PO

NOTES:

- 1. MATERIALS AND FINISH
 - HOUSING: LCP
 - CONTACTS: COPPER ALLOY, FINISH: TIN AND SELECT GOLD
- 2. PRODUCT TO COMPLY WITH DIRECTIVE 2002/95/EC (ROHS)
- 3. PACKAGED IN TAPE AND REEL



2213616-1 SHOWN

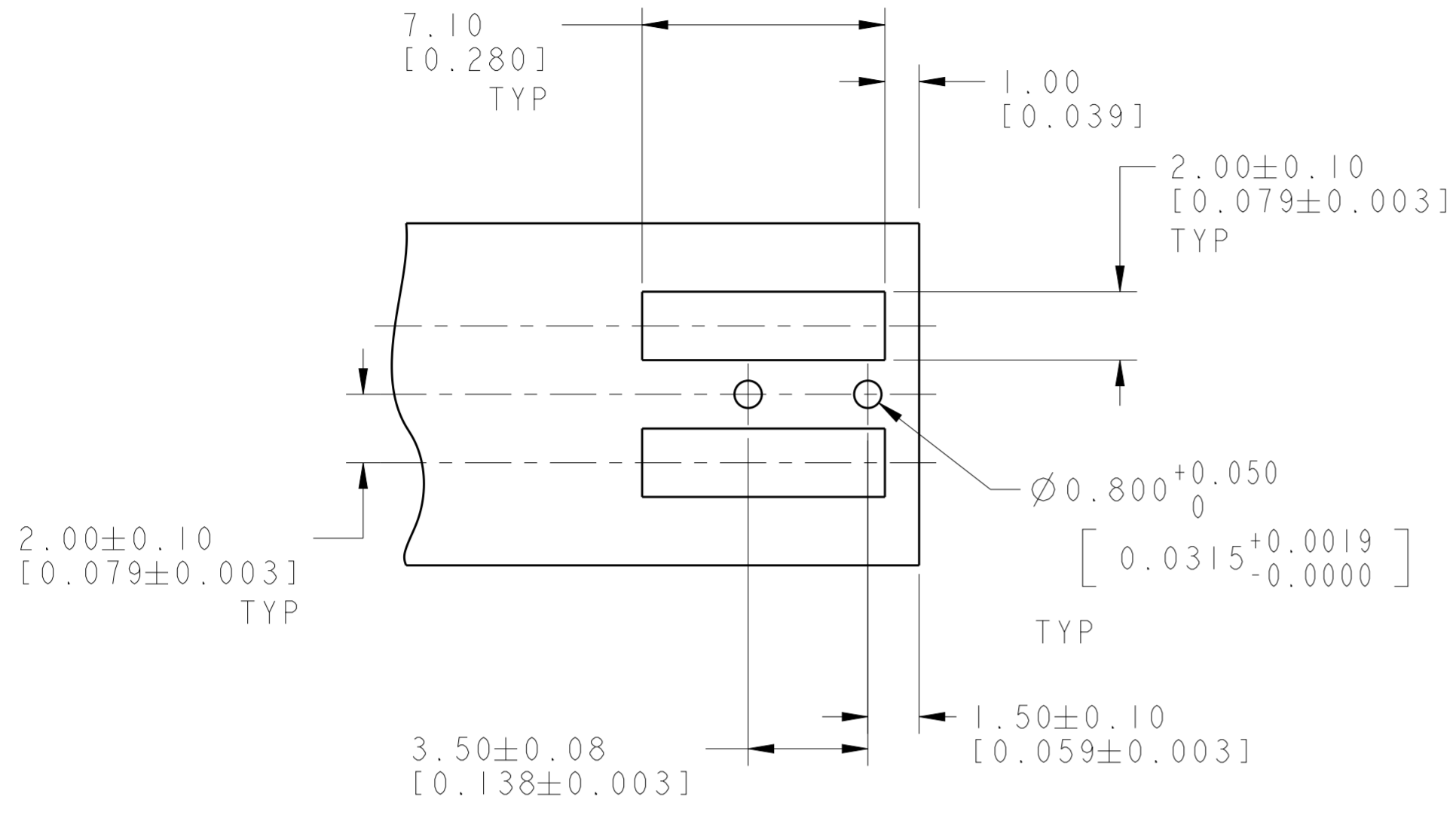


6	BLACK	23.90	1-2213616-3
4	BLACK	15.90	1-2213616-2
2	BLACK	7.90	1-2213616-1
6	NATURAL	23.90	2213616-3
4	NATURAL	15.90	2213616-2
2	NATURAL	7.90	2213616-1
POSITION	COLOR	DIM A	PART NO.

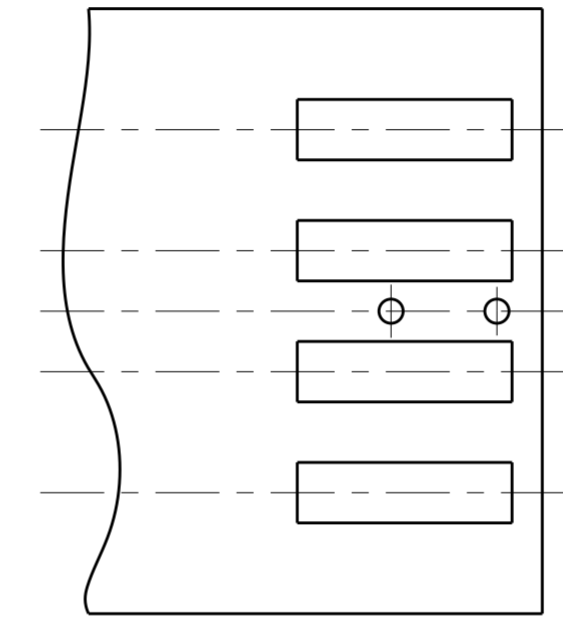
THIS DRAWING IS A CONTROLLED DOCUMENT.		DWN RAVLS 22 JAN 2015	TE Connectivity	
		CHK D. DECKER 22 JAN 2015		
		APVD D. DECKER 22 JAN 2015	NAME CONNECTOR ASSEMBLY, HERMAPHRODITIC BLADE AND RECEPTACLE, WITH BOSS	
DIMENSIONS:		PRODUCT SPEC	RESTRICTED TO	
mm		108-2342	SIZE CAGE CODE DRAWING NO	
TOLERANCES UNLESS OTHERWISE SPECIFIED:		APPLICATION SPEC	A200779 C-2213616	
0 PLC ±		114-13225	SCALE 6:1 SHEET 1 OF 2 REV AI	
1 PLC ±		WEIGHT -		
2 PLC ±0.13		CUSTOMER DRAWING		
3 PLC ±0.013				
4 PLC ±				
ANGLES ±°				
FINISH				

THIS DRAWING IS UNPUBLISHED. RELEASED FOR PUBLICATION 20
 © COPYRIGHT 20 BY - ALL RIGHTS RESERVED.

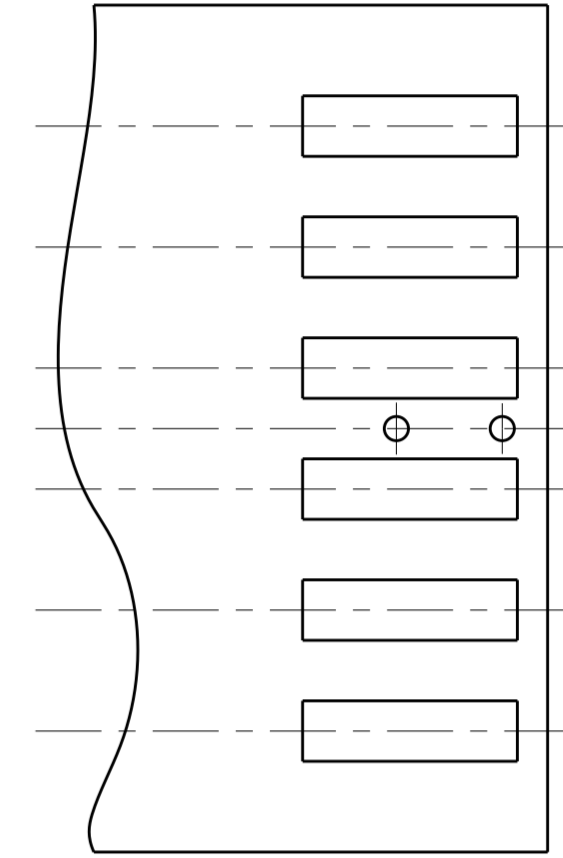
LOC		DIST		REVISIONS			
P	LTR	DESCRIPTION	DATE	DWN	APVD		
-	-	SEE SHEET 1	-	-	-		



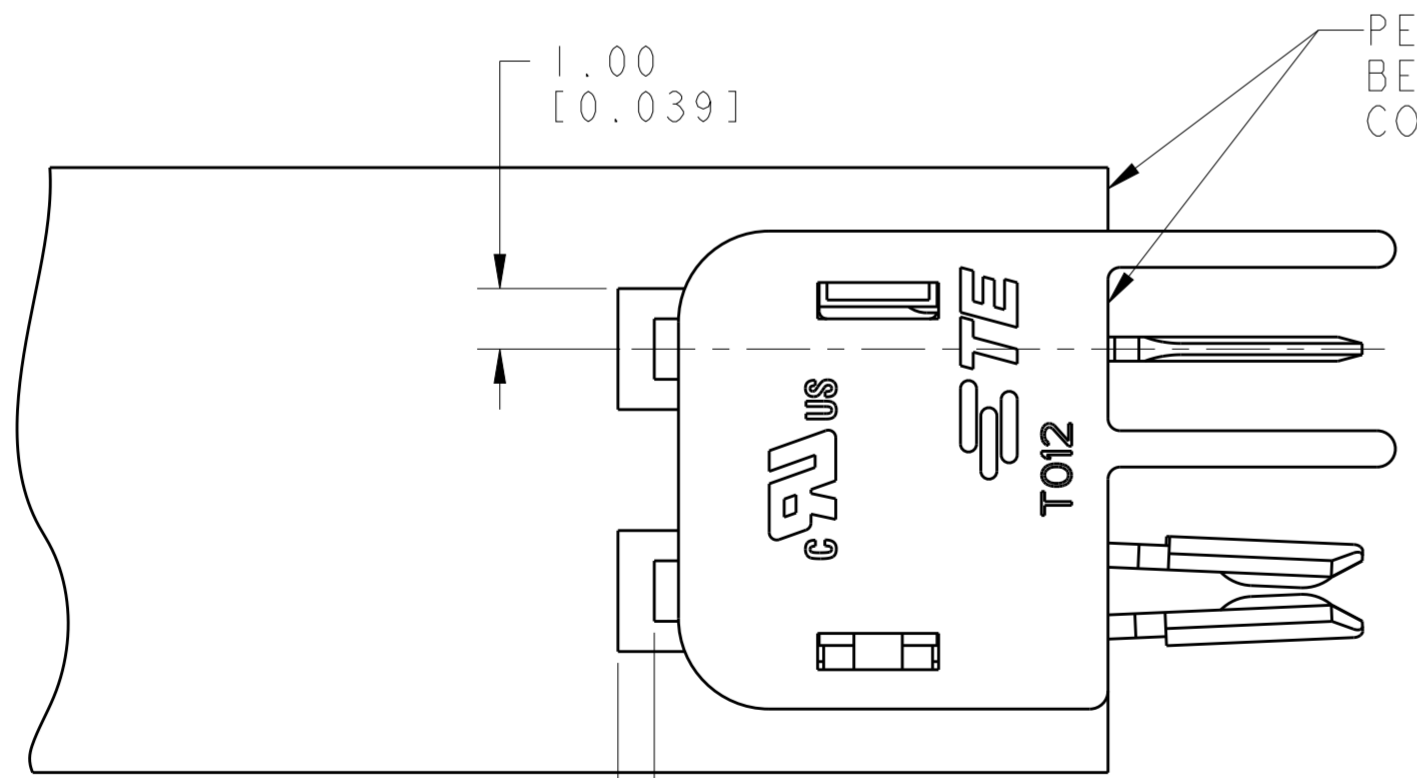
RECOMMENDED PCB LAYOUT FOR 2213616-1 & 1-2213616-1



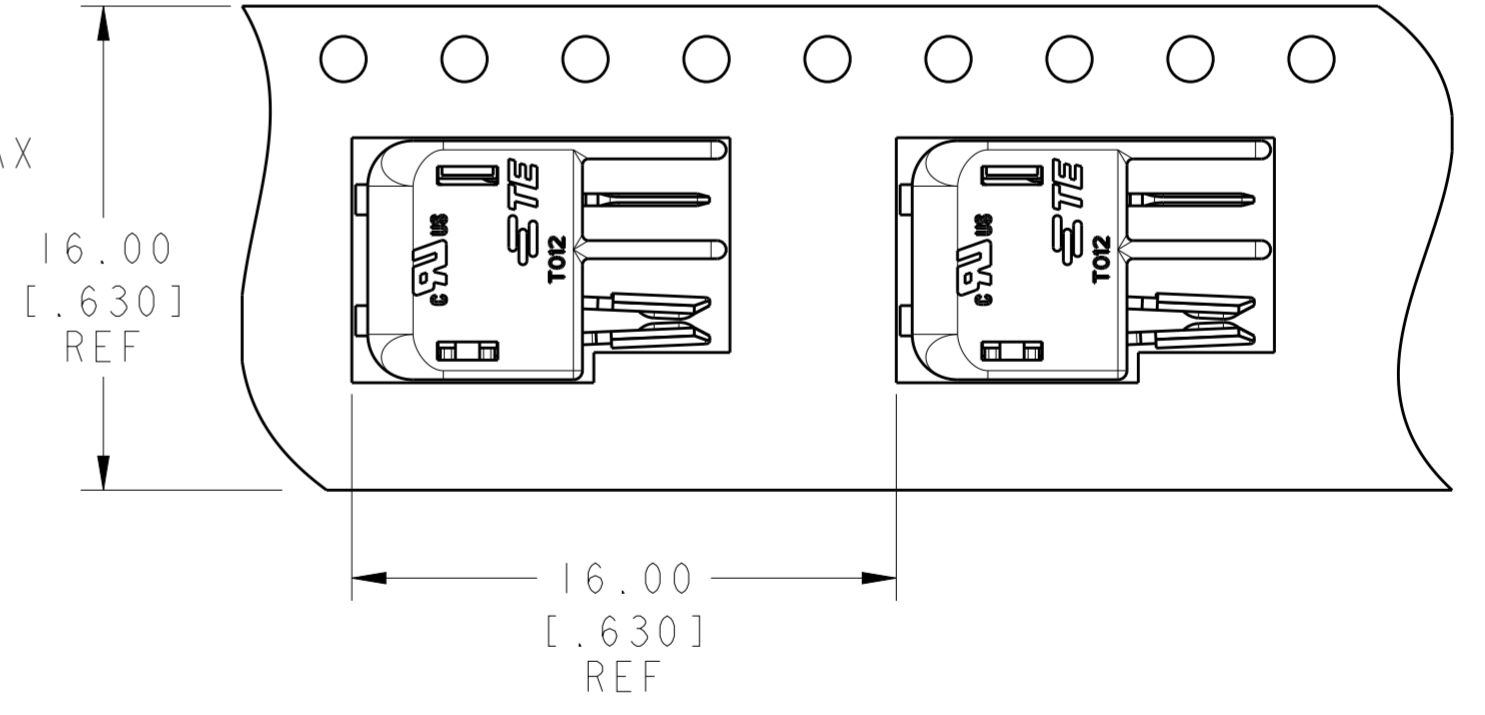
RECOMMENDED PCB LAYOUT FOR 2213616-2 & 1-2213616-2



RECOMMENDED PCB LAYOUT FOR 2213616-3 & 1-2213616-3



SCALE 8:1



TO BE PACKAGED AS SHOWN

THIS DRAWING IS A CONTROLLED DOCUMENT.		DWN RAVLS 22 JAN 2015	TE Connectivity	
		CHK D. DECKER 22 JAN 2015		
		APVD D. DECKER 22 JAN 2015	NAME CONNECTOR ASSEMBLY, HERMAPHRODITIC BLADE AND RECEPTACLE, WITH BOSS	
DIMENSIONS: mm		PRODUCT SPEC 108-2342		SIZE 114-13225
TOLERANCES UNLESS OTHERWISE SPECIFIED: 0 PLC ± 1 PLC ± 2 PLC ±0.13 3 PLC ±0.013 4 PLC ± ANGLES ±1° FINISH		APPLICATION SPEC		RESTRICTED TO
MATERIAL		WEIGHT		SCALE 6:1
		CUSTOMER DRAWING		SHEET 2 OF 2
				REV A1

单击下面可查看定价，库存，交付和生命周期等信息

[>>TE Connectivity\(泰科\)](#)