

4

3

2

1

THIS DRAWING IS UNPUBLISHED.

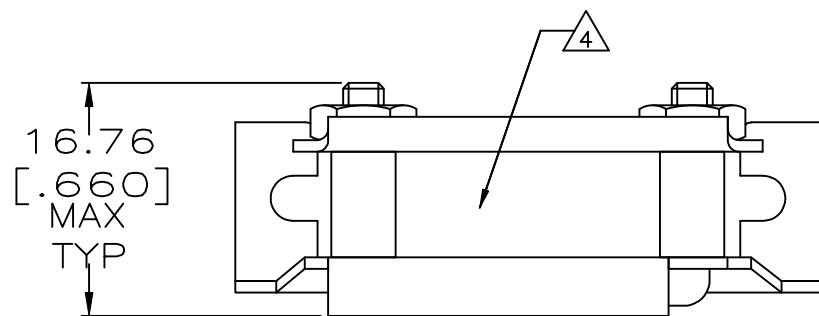
RELEASED FOR PUBLICATION

REVISIONS

© COPYRIGHT - TE Connectivity Ltd.

ALL RIGHTS RESERVED.

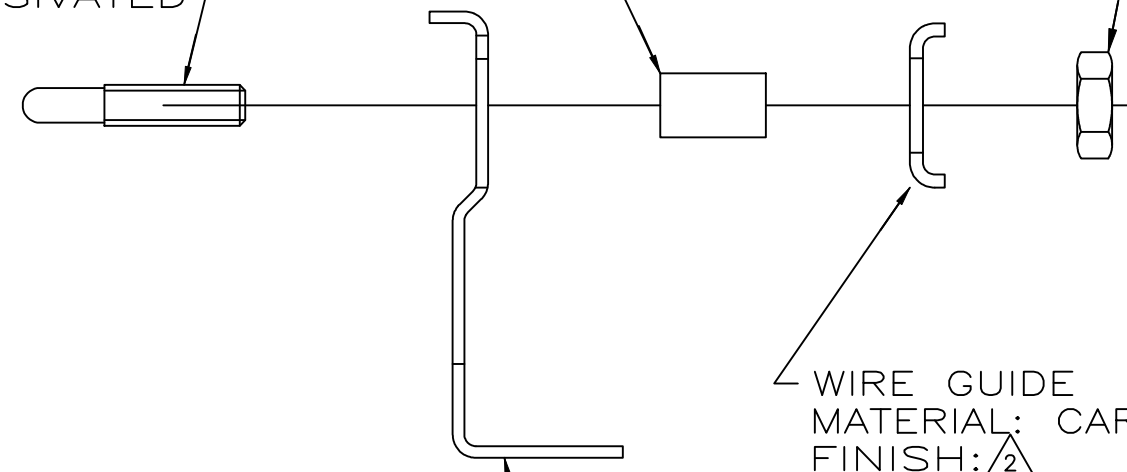
P	LTR	DESCRIPTION	DATE	DWN	APVD
G		REVISED PER ECO-08-031035	15DEC08	HMR	GS
H		REVISED PER ECO-18-017239	02NOV2018	RS	MZ



PROTECTIVE SLEEVE
MATERIAL: POLYVINYL CHLORIDE
COLOR: BLACK
2 EA

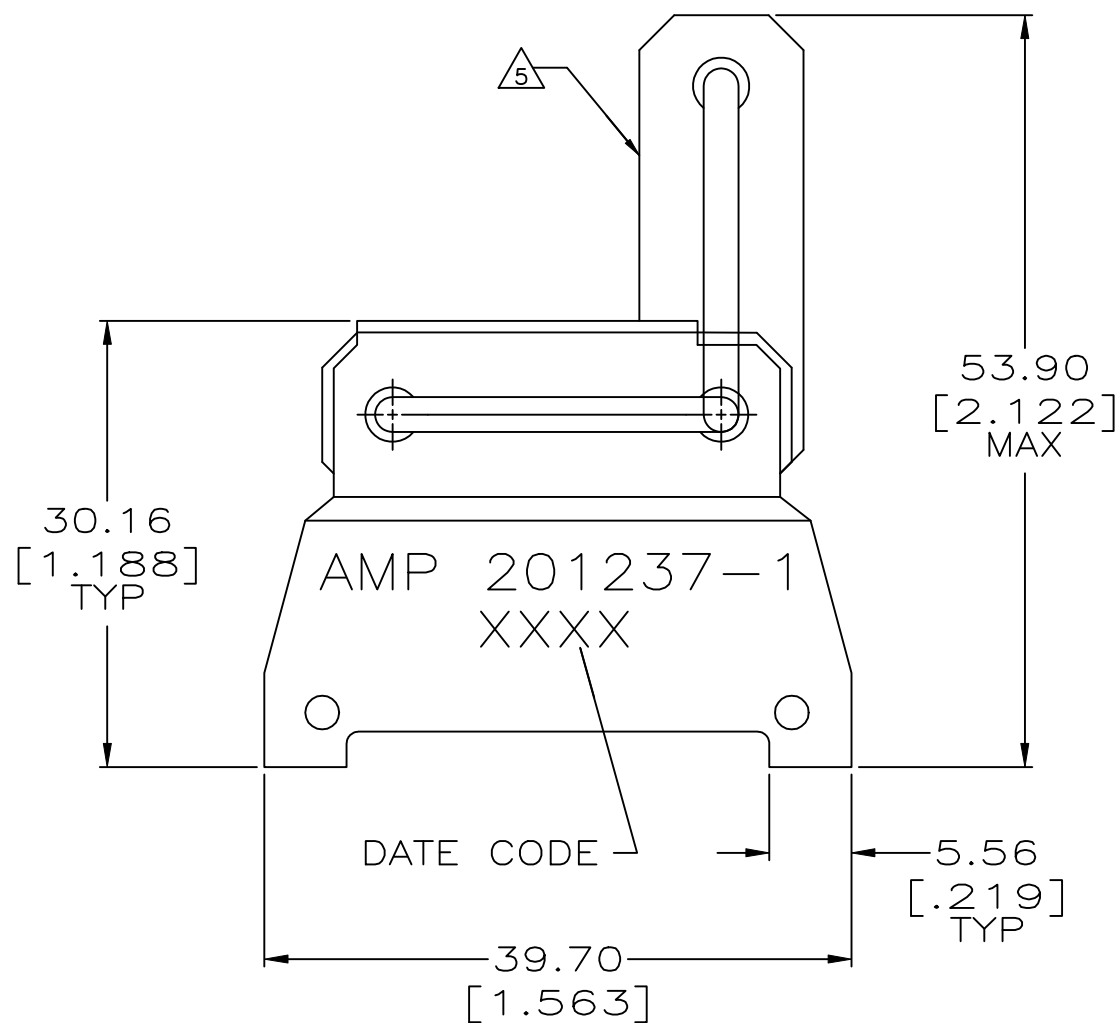
U BOLT
MATERIAL: 1
FINISH: PASSIVATED

HEX NUT, 4-40 UNC
MATERIAL: CARBON STEEL
FINISH: 3
2 EA



BRACKET
MATERIAL: STAINLESS STEEL

- 1 STAINLESS STEEL PER QQ-S-763.
- 2 5.08um[.000200] MIN NICKEL.
- 3 ZINC PER ASTM-B-633.
- 4 161.29 SQ mm[.250 SQ IN] MAX CLAMP AREA.
- 5 ALTERNATE POSITION OF CABLE CLAMP FOR 90° CABLE OUTLET.



ASSEMBLED VIEW

	201237-2
OBSOLETE	201237-1
	PART NUMBER

THIS DRAWING IS A CONTROLLED DOCUMENT.		DWN C. REIFSNYDER 18 APR 96	TE TE Connectivity Ltd.	
		CHK R. STONE 24 MAY 96		
DIMENSIONS: mm [INCHES]		APVD G. STEINHAUER 21 JUN 96	NAME CLAMP KIT, UNASSEMBLED, STRAIN RELIEF, 20 PLACE, M SERIES	
TOLERANCES UNLESS OTHERWISE SPECIFIED:		PRODUCT SPEC	RESTRICTED TO	
0 PLC ± -		APPLICATION SPEC	-	
1 PLC ± -			SIZE	CAGE CODE
2 PLC ± 0.38[.015]			A3	00779
3 PLC ± -			DRAWING NO	C=201237
4 PLC ± -				
ANGLES ± -		WEIGHT		
MATERIAL SEE CALLOUTS		FINISH SEE CALLOUTS	CUSTOMER DRAWING	SCALE 2:1
			SHEET	1 of 1
			REV	H

单击下面可查看定价，库存，交付和生命周期等信息

[>>TE Connectivity\(泰科\)](#)