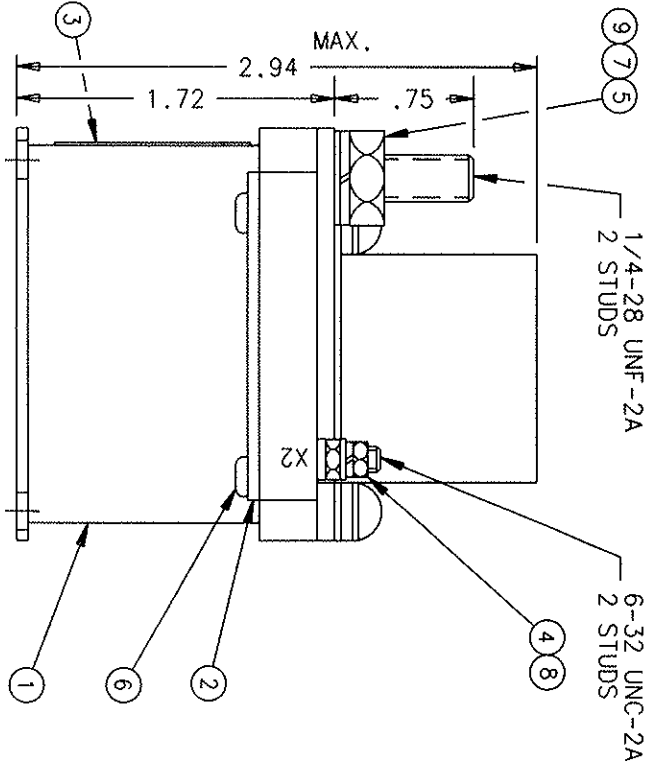
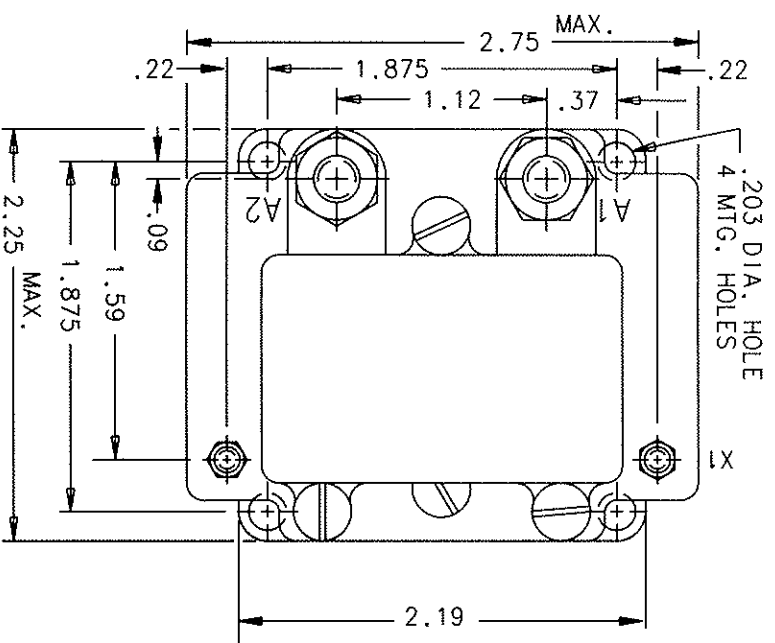


REVISIONS		RELEASED	8-27-81	REV. H
REV	DESCRIPTION	DATE	APPROVED	
F	2/17/79 REDRAWN, ADDED SILASTIC SEALED TO CONSTRUCTION	92/01/10	KM	
G	3/11/85 FIND NO 10 ADDED	96/10/14	RS	
H	08/85-04 FIND NO 3 WAS 41695-001; REMOVED FIND NO 10	04/08/30	CS	



CONSTRUCTION  
 MAIN CONTACTS  
 CONFIGURATION  
 VOLTAGE (NOM.)  
 CURRENT RES.  
 INRUSH

COIL DATA  
 MAX OPERATE  
 MIN OPERATE  
 PICKUP AT 25Ω  
 DROPOUT  
 RES AT 25Ω  
 DUTY CYCLE

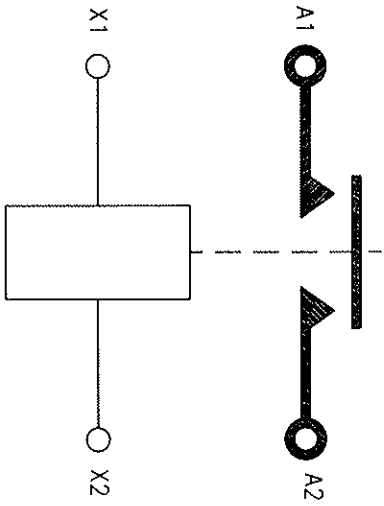
ENVIRONMENTAL DATA  
 AMBIENT TEMP  
 LIFE ELECTRICAL  
 LIFE MECHANICAL  
 WEIGHT MAX (EST)

GASKET SEALED, SILASTIC SEALED

SPST N.O.  
 28 VDC  
 200 AMP  
 800 AMP

32 VDC  
 24 VDC  
 16.5 V MAX.  
 1 TO 7 VDC  
 70 OHM ± 20%  
 CONTINUOUS

-55°C TO + 71°C  
 50,000 CYCLES MIN  
 100,000 CYCLES MIN  
 1 LB 8 OZ



NOTE:  
 THIS UNIT MEETS THE MATERIALS AND WORKMANSHIP  
 REQUIREMENTS OF MIL-R-6106

NO	QTY	PART OR IDENTIFYING NO	NOMENCLATURE OR DESCRIPTION	FSD NO	DRAWING OR SPECIFICATION	MATERIAL OR NOTE
10	2	51807-034	WASHER-LOCK-NO. 1/4 SPLIT			BRONZE
9	2	51806-014	WASHER-LOCK-NO. 6 SPLIT			BRONZE
8	2	51703-064	SCREW-NO. 4 X 1/4 PAN HD.			STAINLESS STEEL
7	2	51200-020	WASHER-FLAT-1/2 X 17/64 X.032			BRASS
6	4	50407-364	WASHER-FLAT-1/2 X 17/64 X.032			BRASS
5	2	50406-034	WASHER-FLAT-1/2 X 17/64 X.032			BRASS
4	2	50406-034	WASHER-FLAT-1/2 X 17/64 X.032			BRASS
3	1	47618-007	PLATE-NAME			
2	2	34290-001	PLATE - COVER			
1	1	32659-060	CONTACTOR ASSEMBLY - PRI.			

UNLESS OTHERWISE SPECIFIED  
 DIMENSIONS ARE IN INCHES  
 TOLERANCES ON

2 PL. DEC. 13 PL. DEC. ANGLES  
 \* .06 \* .010 \* 1 \*

SCALE 1/1 SHEET

DR BY RLS 196/10/28  
 CHK BY RS 196/10/28  
 ENGR DM 196/10/31  
 MFG JH 196/10/30

CONTACTOR - S.P.S.T. N.O.  
 200 AMP, 28 VDC

DWG NO. A-1077G

28 Hartman Division, 175 N. Diamond Street, Mansfield, Ohio 44902

REF TYCO P/N 0-1616055-5

单击下面可查看定价，库存，交付和生命周期等信息

[>>TE Connectivity\(泰科\)](#)