

THIS DRAWING IS UNPUBLISHED.

RELEASED FOR PUBLICATION

2007

LOC

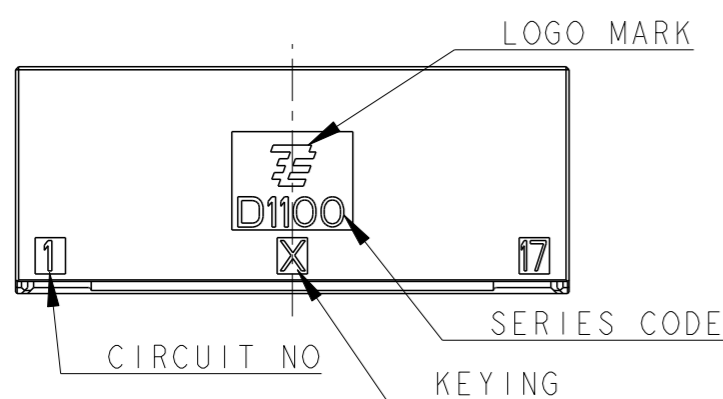
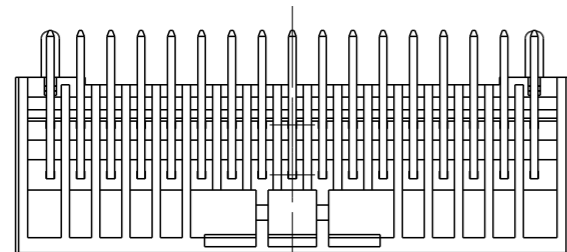
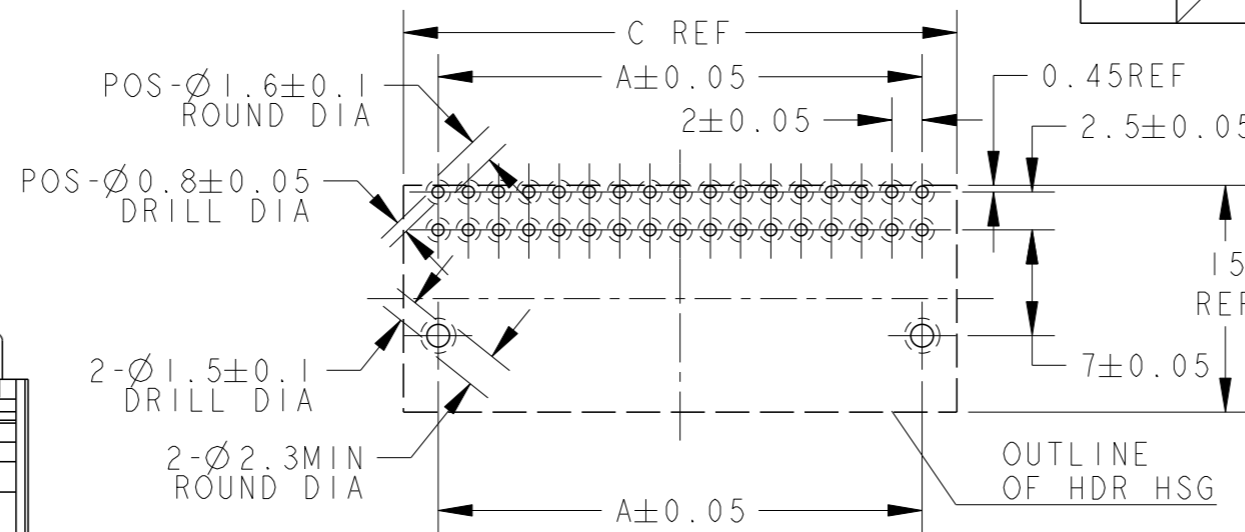
DIST

REVISIONS

© COPYRIGHT 2007 BY -

ALL RIGHTS RESERVED.

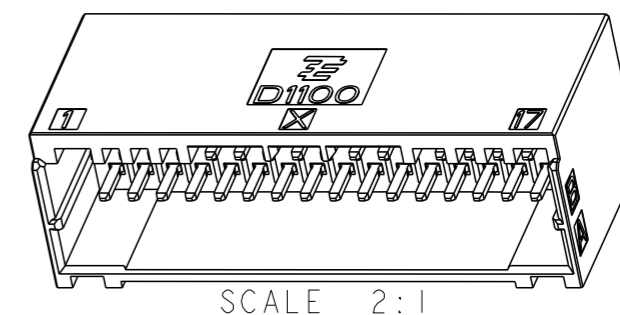
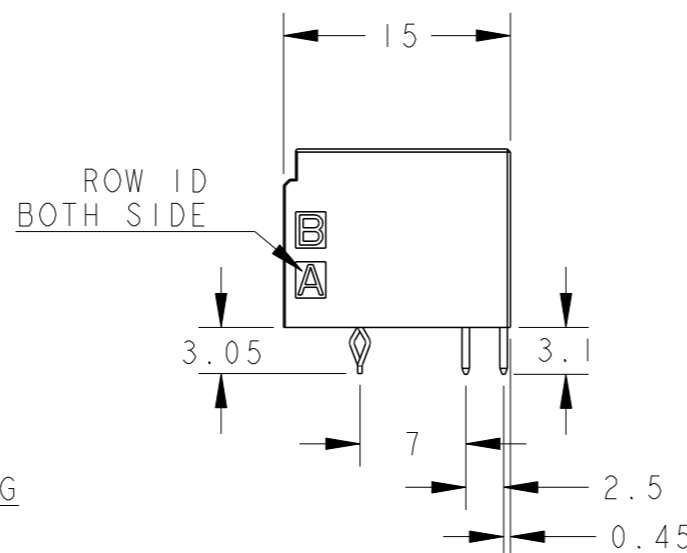
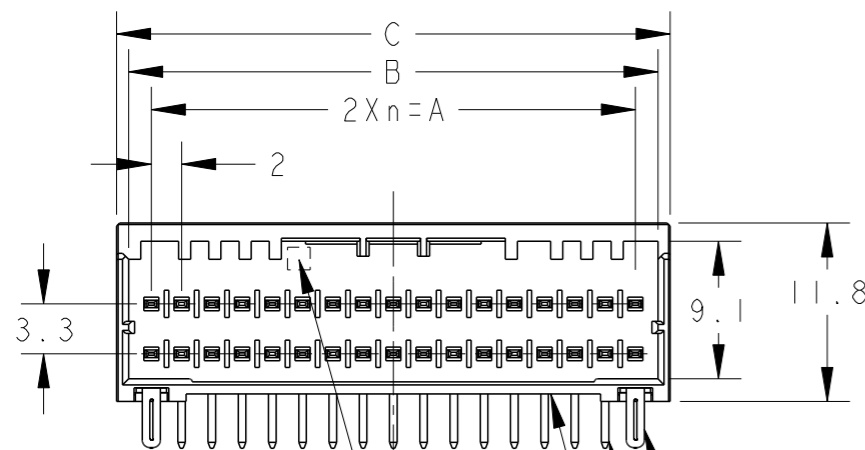
P	LTR	DESCRIPTION	DATE	DWN	APVD
	AI	REVISED	02FEB2021	F.Z	R.B



RECOMMEND PC BOARD HOLE PATTERN
: CONNECTOR MOUNT SIDE
(NOT ACCUMULATE TOLERANCE)
PC BOARD THICKNESS : 1.0~1.6±0.1

△. MATERIAL: HOUSING: GLASS FILED THERMO PLASTIC
POLYESTER(94V-0), COLOR: BLACK
CONTACT: PRE-TIN COPPER ALLOY
RETENTION LEG: PRE-TIN COPPER ALLOY

2. THE SHAPE, SIZE AND POSITION OF THE CHARACTER
SHOW THE OUTLINE.
THEY DON'T SHOW DETAILS.



CAVITY MARK
(ALPHABET: CAPITAL LETTER)

HDR HSG

RETENTION LEG

CONTACT

34POS(X-KEY): 1-2372488-7

POS	KEY	n	A	B	C	FINISHED	PART NO
40	X	19	38.0	41.0	42.6	PRE-TIN	1-2372488-0
34	X	16	32.0	35.0	36.6	PRE-TIN	1-2372488-7
30	X	14	28.0	31.0	32.6	PRE-TIN	1-2372488-5
28	X	13	26.0	29.0	30.6	PRE-TIN	1-2372488-4
26	X	12	24.0	27.0	28.6	PRE-TIN	1-2372488-3

THIS DRAWING IS A CONTROLLED DOCUMENT.		DWN	26-May-20																		
		CHK	26-May-20																		
DIMENSIONS: mm		TOLERANCES UNLESS OTHERWISE SPECIFIED: ±0.3, ±5°		NAME																	
		<table border="1"> <tr><td>0-PLC</td><td>±</td></tr> <tr><td>1-PLC</td><td>±0.5</td></tr> <tr><td>2-PLC</td><td>±0.13</td></tr> <tr><td>3-PLC</td><td>±0.013</td></tr> <tr><td>4-PLC</td><td>±0.001</td></tr> <tr><td>ANGLES</td><td>±</td></tr> </table>		0-PLC	±	1-PLC	±0.5	2-PLC	±0.13	3-PLC	±0.013	4-PLC	±0.001	ANGLES	±	APVD		26-May-20		DYNAMIC D1100D 2.0mmPITCH HDR ASSY, H-TYPE PRE-TIN 22-40POS	
0-PLC	±																				
1-PLC	±0.5																				
2-PLC	±0.13																				
3-PLC	±0.013																				
4-PLC	±0.001																				
ANGLES	±																				
MATERIAL		FINISH		PRODUCT SPEC		DRAWING NO															
		-		108-137366		A300779C=2372488															
				APPLICATION SPEC		RESTRICTED TO															
				114-5377		-															
				WEIGHT																	
				CUSTOMER DRAWING		SCALE 2:1 SHEET 1 OF 2 REV AI															

Printed on 3 Feb 2021 10:55 (China Standard Time) from TE304429

4

3

2

1

THIS DRAWING IS UNPUBLISHED.

RELEASED FOR PUBLICATION

2007

LOC

DIST

REVISIONS

© COPYRIGHT 2007 BY -

ALL RIGHTS RESERVED.

P

LTR

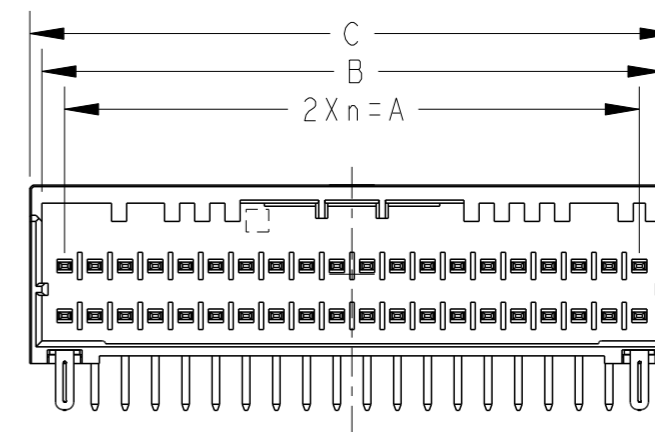
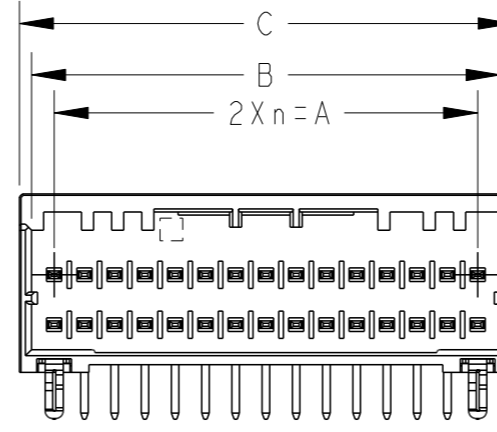
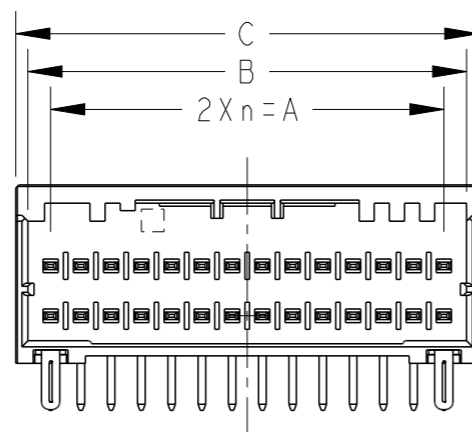
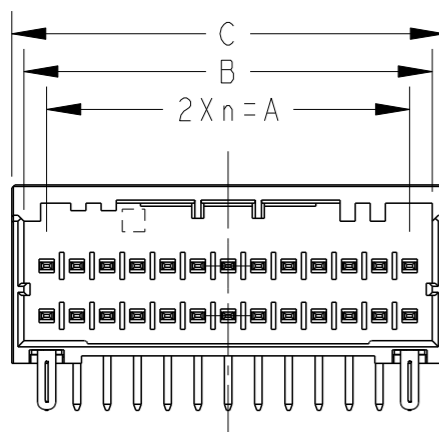
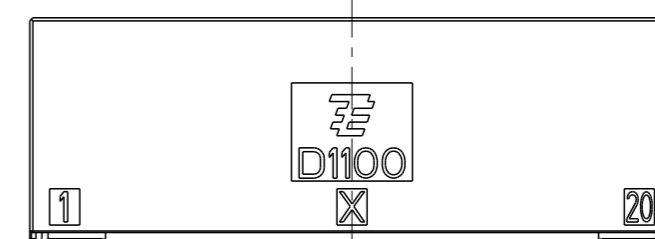
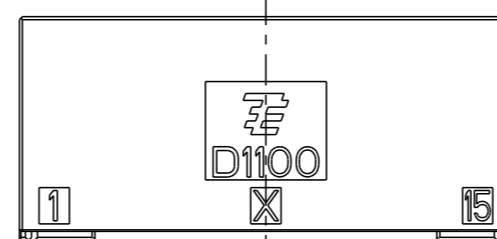
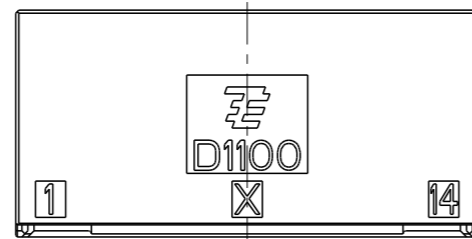
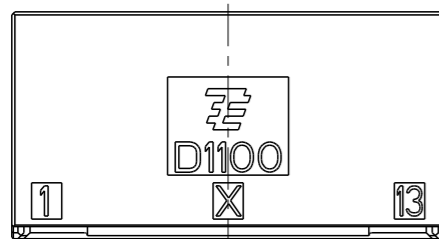
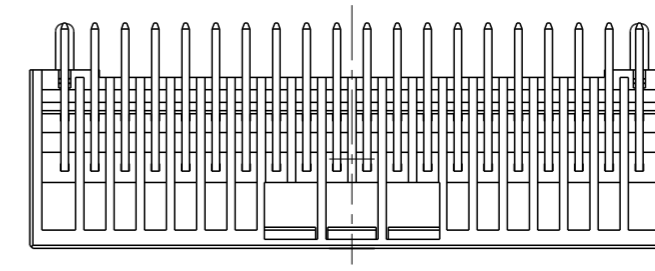
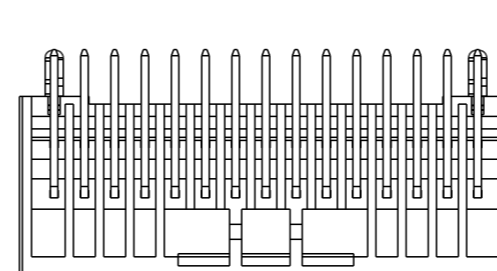
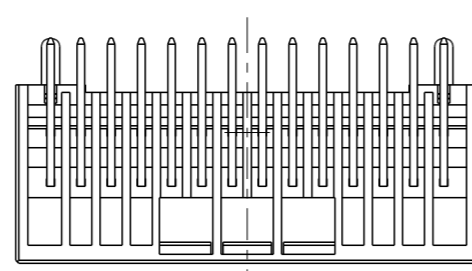
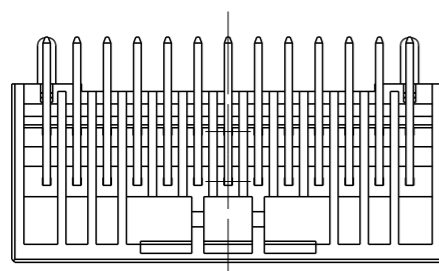
DESCRIPTION

DATE

DWN

APVD

SEE SHEET 1 OF 2



26POS(X-KEY): 1-2372488-3

28POS(X-KEY): 1-2372488-4

30POS(X-KEY): 1-2372488-5

40POS(X-KEY): 1-2372488-0

THIS DRAWING IS A CONTROLLED DOCUMENT.		DWN	03-Feb-21			
DIMENSIONS:		CHK	03-Feb-21			NAME DYNAMIC D1100D 2.0mmPITCH HDR ASSY, H-TYPE PRE-TIN 22-40POS
mm		APVD	03-Feb-21			
TOLERANCES UNLESS OTHERWISE SPECIFIED:		RICK.BIAN		PRODUCT SPEC	SIZE A3	
0 PLC ±- 1 PLC ±0.5 2 PLC ±0.13 3 PLC ±0.013 4 PLC ±0.0001 ANGLES ±-		RICK.BIAN		APPLICATION SPEC		CAGE CODE 00779
MATERIAL		108-137366		WEIGHT	DRAWING NO C=2372488	
FINISH		114-5377		RESTRICTED TO		SCALE 2:1
		CUSTOMER DRAWING		SHEET	2 OF 2	
				REV	A1	

Printed on 3 Feb 2021 10:55 (China Standard Time) from TE304429

A

D

B

A

单击下面可查看定价，库存，交付和生命周期等信息

[>>TE Connectivity\(泰科\)](#)