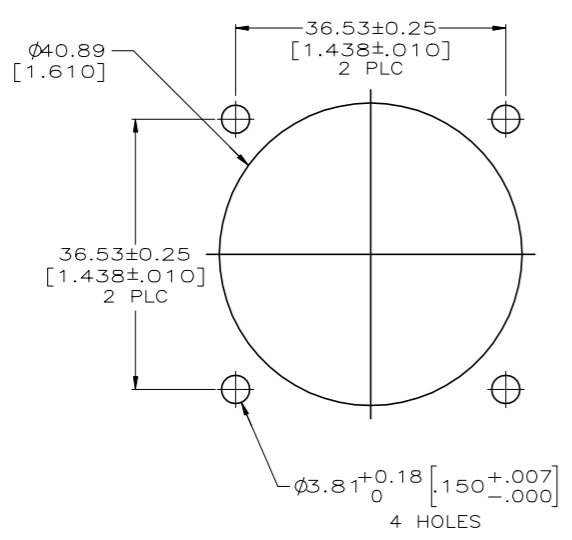
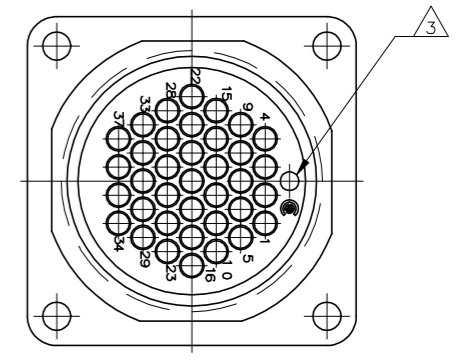
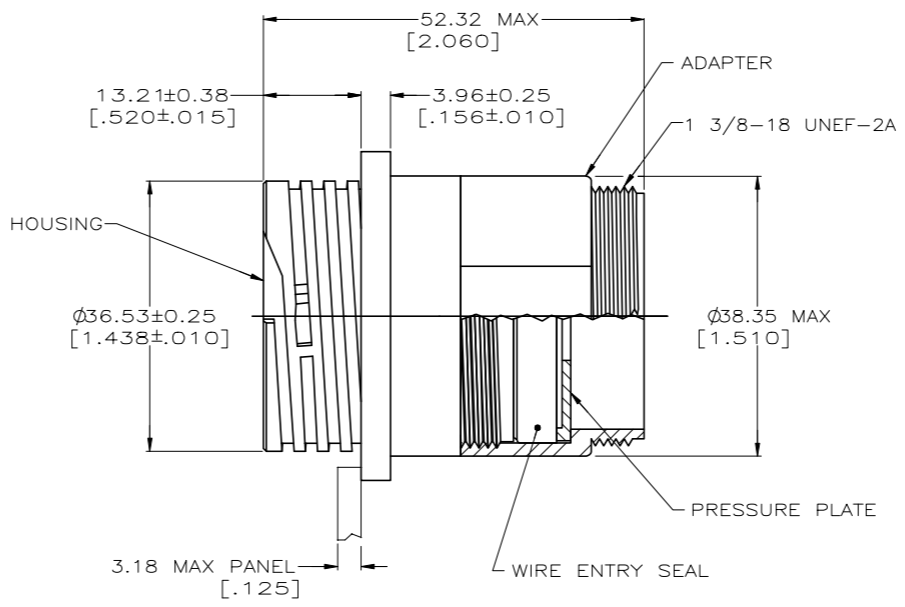
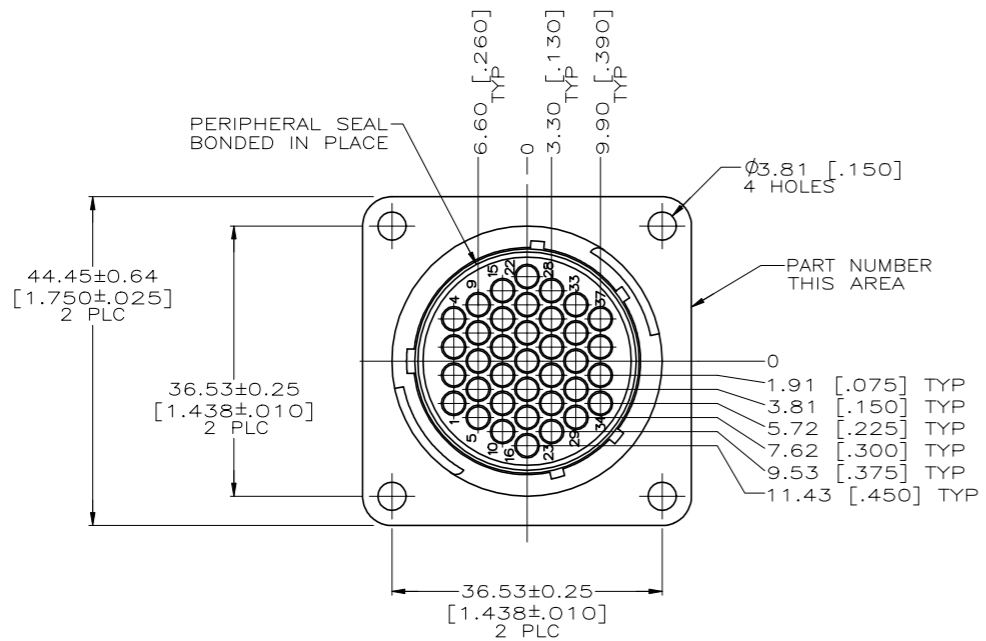


THIS DRAWING IS UNPUBLISHED. RELEASED FOR PUBLICATION
 © COPYRIGHT - By - ALL RIGHTS RESERVED.

REVISIONS				
#	LTR	DESCRIPTION	DATE	APP'D
B		REVISED PER ECO-11-019033	20SEP11	KH MZ
C		REVISED PER ECO-19-011232	06AUG2019	RS MZ



RECOMMENDED PANEL CUTOUT

- 1 ADAPTER AND HOUSING: NYLON, BLACK.
WIRE ENTRY SEAL: ELASTOMER, RED-IRON OXIDE.
PERIPHERAL SEAL: ELASTOMER, BLACK.
- 2. CONNECTOR WILL ACCEPT (37) MULTIMATE PIN CONTACTS.
- 3 ORIENTATION HOLE USED IN THE MANUFACTURING PROCESS ONLY.
THIS HOLE IS NOT INTENDED FOR WIRE INSERTION.

796286-1
PART NUMBER

THIS DRAWING IS A CONTROLLED DOCUMENT.		DNW C.DORWART 11 NOV 98	TE Connectivity RCPT ASSEMBLY, SIZE 23-37, STANDARD SEX, SQUARE FLANGE, SEALED CIRCULAR PLASTIC CONNECTOR
DIMENSIONS:		CHK K.DOWHWOWER 15NOV99	
INCHES		APP'D K.DOWHWOWER 15NOV99	NAME
TOLERANCES UNLESS OTHERWISE SPECIFIED:		PRODUCT SPEC	
0 PLC ± -	1 PLC ± -	108-1579	
2 PLC ± 0.1X(.005)	3 PLC ± -	APPLICATION SPEC	
4 PLC ± -	ANGLES ± -	SIZE	
MATERIAL	FINISH	WEIGHT	RESTRICTED TO
1	-	-	A1 00779 C=796286
CUSTOMER DRAWING		SCALE 2:1	SHEET 1 OF 1 REV C

单击下面可查看定价，库存，交付和生命周期等信息

[>>TE Connectivity\(泰科\)](#)