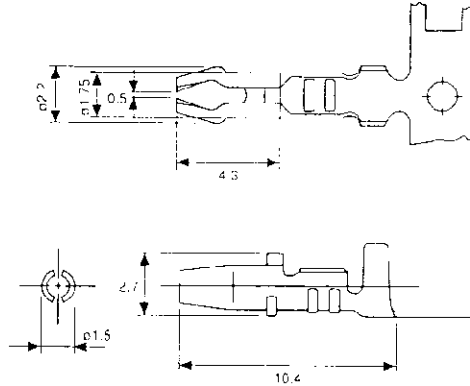


## Wire to Board Terminals (AMP-IN Terminal)

### Material and Finish

Tin-plated  
Brass or phosphor bronze

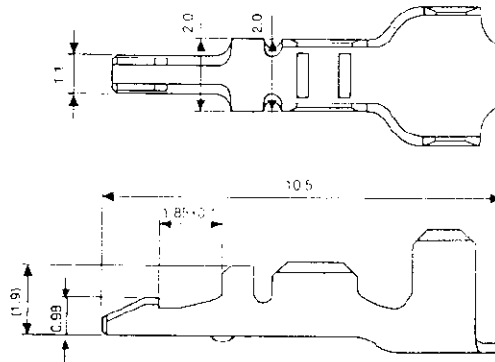


**Part Number:** 170072-1  
**Application Spec:** 114-5028  
**Product Specifications:** 108-5012  
**Recommended PCB Hole Size:**  $\phi 1.8$ - $\phi 1.9$ mm

Wire Size		Wire Insulation
AWG	mm <sup>2</sup>	Diameter
24-20	0.20-0.56	1.52-2.79

### Material and Finish

Tin-plated brass



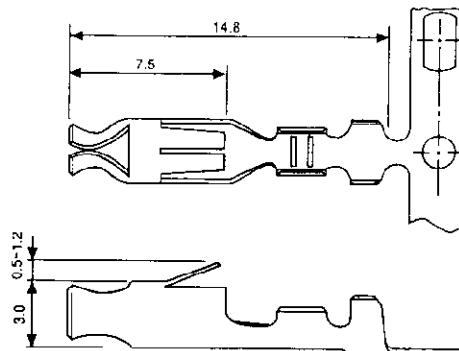
**Part Number:** 170197-1 (with dimple) and 170197-2 (without dimple)  
**Application Spec:** 114-5014  
**Product Specifications:** 108-5012  
**Recommended PCB Hole Size:**  $\phi 1.2$ - $\phi 1.6$ mm

Wire Size		Wire Insulation
AWG	mm <sup>2</sup>	Diameter
24-20	0.20-0.56	1.6-2.3

### AMP VASE Terminal

#### Material and Finish

Tin-plated brass



**Part Number:** 170219-1 and 170219-2 (Low mating force)  
**Application Spec:** 114-5016  
**Product Specifications:** 108-5012  
**Mates with 1.57 diameter pin**

Wire Size		Wire Insulation
AWG	mm <sup>2</sup>	Diameter
24-20	0.20-0.53	1.2-2.6

单击下面可查看定价，库存，交付和生命周期等信息

[>>TE Connectivity\(泰科\)](#)