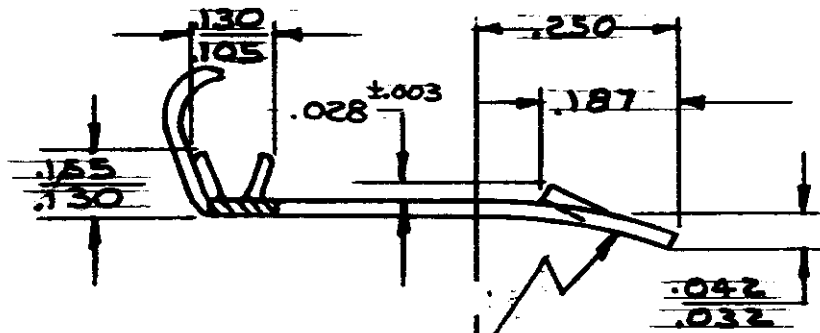
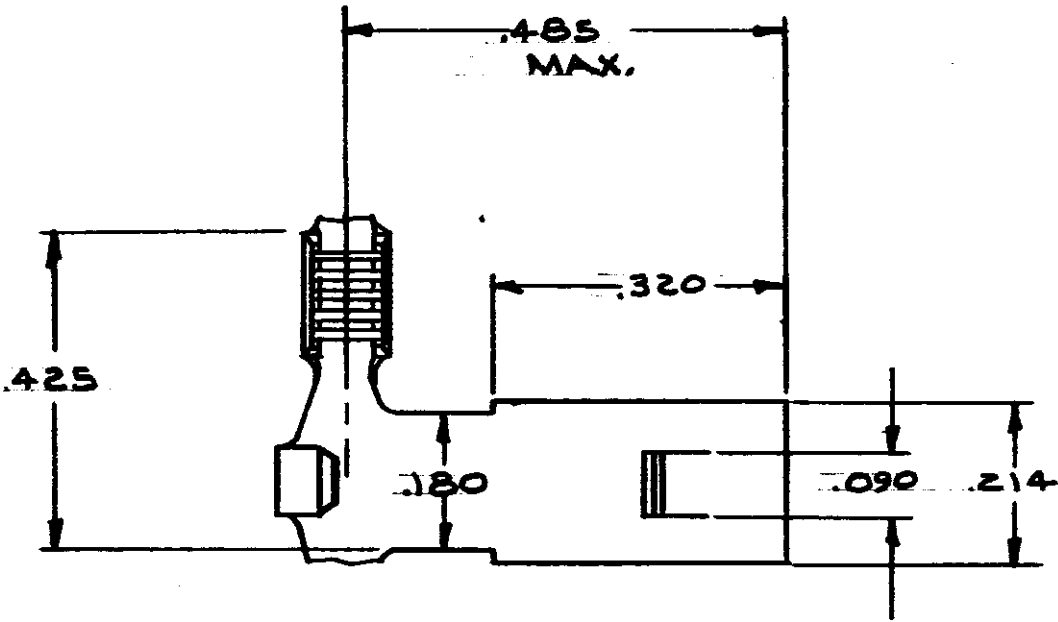


DRAWING MADE IN AMERICAN PROJECTION

NUMBER
G2149



PART NUMBER	FINISH
G2149-1	NONE
G2149-2	TIN

1.000 E REF

CONTINUOUS STRIP ON REELS

DIMENSIONS IN INCHES. DO NOT SCALE PRINT.

Unpublished copy not to be used without written permission

RESERVED RIGHTS COVERED BY PATENTS AND/OR PATENTS PENDING				CUSTOMER COPY REFERENCE ONLY	
MATERIAL AND FINISH				AMP INCORPORATED HARRISBURG, PENNA.	
OIB PHOS. BRONZE				CLASS	
NONE				TYPE	
WIRE RANGE INSULATION TYPE				LOG NO	
700-2400 095-.115				AF A G2149	
TOLERANCE EXCEPT AS NOTED ± .015		SCALE ± 1' 0"		REV E	
NAME		AMPLIVAR BRUSH CONTACT			
N.E. NEFF 4/13		Charles Fennell 4/13			
CHK CHARLES FERNAND		APP			

单击下面可查看定价，库存，交付和生命周期等信息

[>>TE Connectivity\(泰科\)](#)