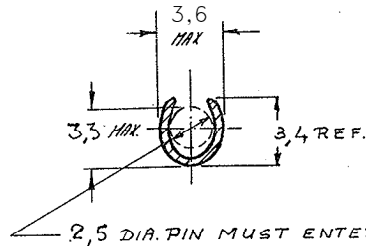
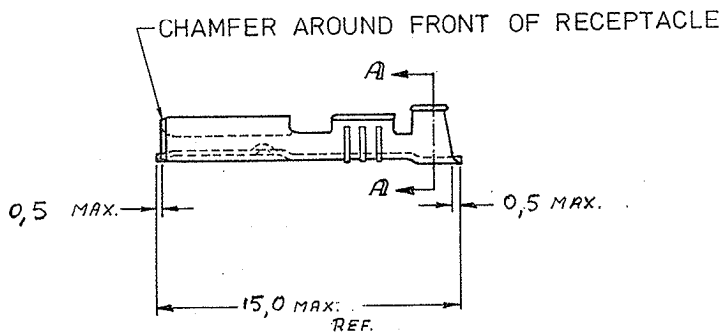


LOC	DIST
IR	-

REVISIONS					
P	LTR	DESCRIPTION	DATE	DWN	APVD
J		FIRST ISSUE	02MAY2007	HY	GT
J1		ADDED WIRE & INSULATION RANGE 0.2MM ² HY		QT	
J2		REVISED PER ECO-09-026346	25NOV09	KK	AEG
J3		INSULATION BARREL WIDTH CORRECTED	20MAR12	PKS	RRP
J4		REVISED PER ECR-15-016344	09NOV15	L.F	T.D



SEC: A-A

1 OBSOLETE PARTS: OBSOLETE CIS STREAMLINING PER D.RENAUD/D.SINISI

1	6-160555-0	TIN LEAD	PHOSPH. BRONZE	5-160556-5	0	
	5-160555-4	PLAIN	PHOSPH. BRONZE	5-160556-4	0	
OBSOLETE	5-160555-3	SILVER PLATED	BRASS	5-160556-3	0	
	5-160555-2	TIN PLATED	BRASS	5-160556-2	0	
1	OBSOLETE	5-160555-1	PLAIN	BRASS	5-160556-1	0
	0-160484-8	TIN LEAD	BRASS	0-160539-7	-	
	0-160484-7	PRE-TIN PLATED	PHOSPH. BRONZE	0-160539-6	-	
	0-160484-6	TIN PLATED	PHOSPH. BRONZE	0-160539-5	-	
1	OBSOLETE	0-160484-3	SILVER PLATED	BRASS	0-160539-3	J
	0-160484-4	TIN PLATED	BRASS	0-160539-2	J	
OBSOLETE	0-160484-1	PLAIN	BRASS	0-160539-1	J	
	STRIP FORM	FINISH	MATERIAL	P/N	REV	

WIRE RANGE 0,5-1,0 mm².
INSULATION RANGE 2,0-2,5 mm.

<small>THIS DRAWING IS A CONTROLLED DOCUMENT FOR TYCO ELECTRONICS CORPORATION. IT IS SUBJECT TO CHANGE AND THE CONTROLLING ENGINEERING ORGANIZATION SHOULD BE CONTACTED FOR THE LATEST REVISION.</small>		DWN	02MAY2007	
DIMENSIONS:		CHK	H. Yeali	
mm	TOLERANCES UNLESS OTHERWISE SPECIFIED:	APVD	G. Turco	
	0 PLC ±	PRODUCT SPEC	-	
	1 PLC ±0.3	APPLICATION SPEC	-	
	2 PLC ±	WEIGHT	-	
	3 PLC ±	CUSTOMER DRAWING	-	
	4 PLC ±	SCALE	4:1	
	ANGLES ±1°	SHEET	1 OF 1	
MATERIAL	SEE TABLE	FINISH	-	
		RESTRICTED TO	-	
		SIZE	A300779	
		CAGE CODE	C-160539	
		DRAWING NO	-	
		REV	J4	



FASTON Connector, 2.8 mm series
RECEPTACLE CONTACT
LOOSE PIECE VERSION

单击下面可查看定价，库存，交付和生命周期等信息

[>>TE Connectivity\(泰科\)](#)