

This drawing involves proprietary design rights of Tyco Electronics Corporation, and all design, manufacture, reproduction, use and sale rights regarding the same are expressly reserved. It is submitted for a specific purpose and the recipient by accepting this drawing, assumes custody and control and agrees to take reasonable precautions; (a) that this drawing will not be copied and reproduced, in whole or in part, or its contents revealed in any manner, or to any person except to meet the purpose for which it was delivered and (b) that any special features peculiar to this design will not be incorporated in other projects without the expressed written permission of Tyco Electronics Corporation.

REVISIONS			
EC	REV	DESCRIPTION	DATE
0S1Q-0433-04	A	NEW RELEASE	12/02/04



7. CONNECTOR INFORMATION

CONNECTOR	TYCO PART NUMBER	ELCON PART NUMBER	CONFIGURATION REF. #	CONTACT	POSITION	CONTACT SPACING	VOLTAGE RATING*
SOCKET	6651938-1	376-0080-11200A	MPK010	SIGNAL	P2-P25	2.50 [.098]	60 VOLTS
				POWER	P1 & P26	—	60 VOLTS

*IAW UL 60950

NOTES: UNLESS OTHERWISE SPECIFIED.

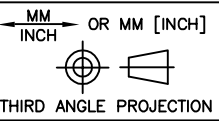


- PART NUMBER CHANGES AND OR DESIGN CHANGES AFFECTING ITEM INTERCHANGEABILITY REQUIRE PRIOR ELCON APPROVAL AND AUTHORIZATION BY REVISION TO THIS DRAWING.
- MATERIALS:
 INSULATORS: THERMOPLASTIC, GLASS REINFORCED, COLOR BLACK. UL94V-0 FLAMMABILITY RATED.
 SIGNAL PINS: BRASS ALLOY.
 POWER CONTACTS: COPPER ALLOY.
- FINISHES:
 CONTACT PLATING: SELECTIVE GOLD PER MIL-G-45204 OVER NICKEL PER QQ-N-290.
 TERMINALS: TIN PLATED, .000120" TO .000170" THICK.
- REFER TO DRAWING 997-010 FOR MATING SEQUENCE & MISALIGNMENT.
- ITEMS PROVIDED TO THIS SPECIFICATION TO BE PERMANENTLY IDENTIFIED PER THE FOLLOWING IDENTIFIER.

YEAR  WEEK 

ELCON PART NO. & REV DATE CODE (e.g. 0401)

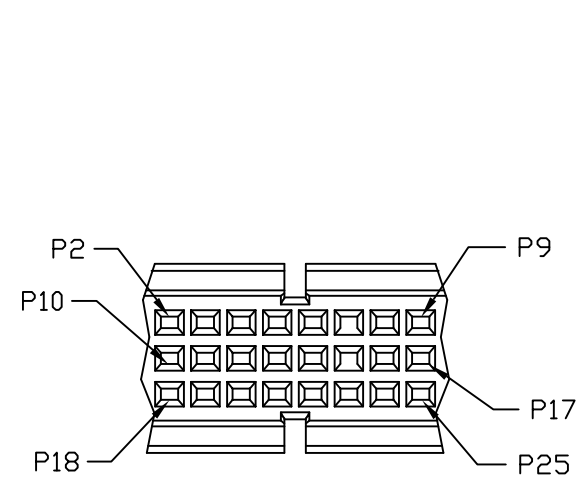
XXX-XXXX-XXXXX [] | XXXX |

6. THIS CONNECTOR MATES WITH PIN CONNECTOR PN 377-0080-11131.

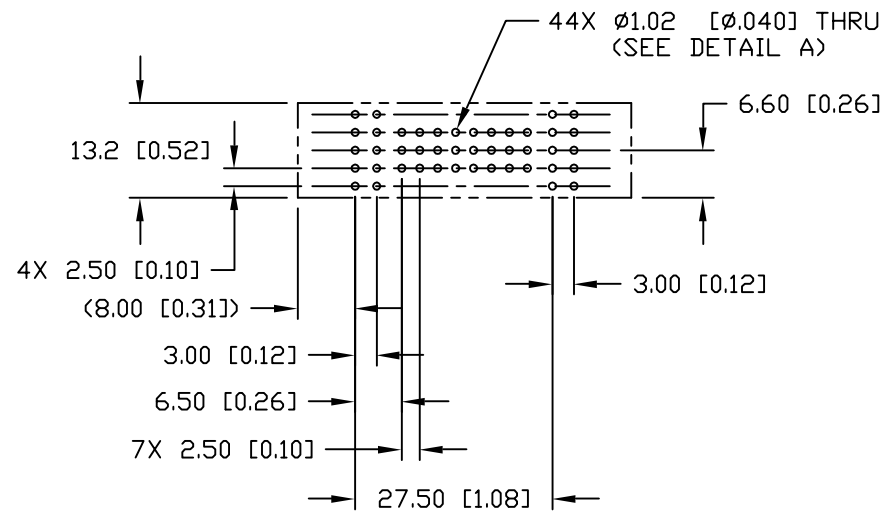
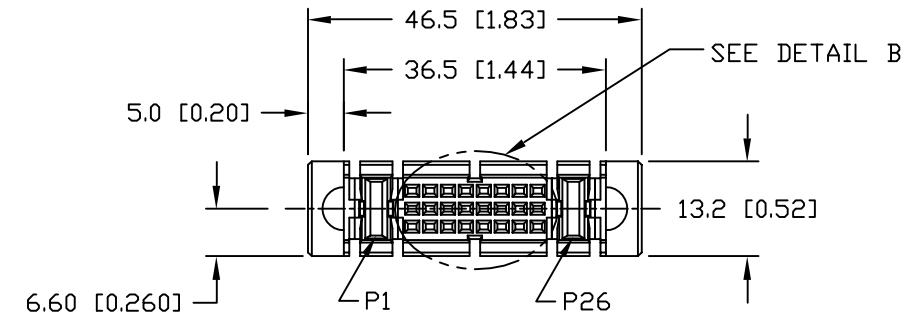
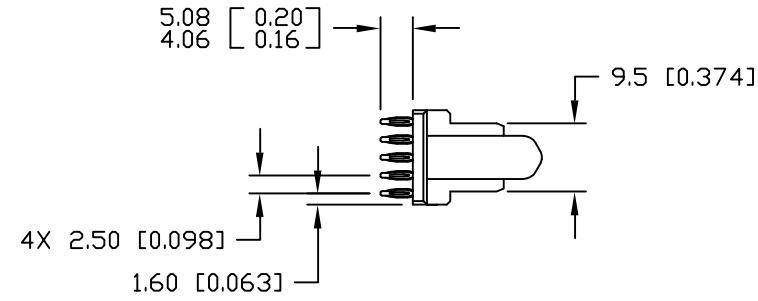
 THIRD ANGLE PROJECTION UNLESS OTHERWISE SPECIFIED DIMENSIONS ARE IN METRIC [INCHES] TOLERANCES ANGLES ± .5° DECIMALS .XX ± .25 [.010] .X ± .5 [.020]	DRAWN R. F. A.	DATE 12/02/04	 Tyco Electronics Corporation Menlo Park, Ca 94025 	
	CHECKED			TITLE SOCKET CONNECTOR, MINIPAK STRAIGHT, COMPLIANT TAILS PN: 376-0080-11200A
	APPROVED		APPROVED	SIZE B
	D. CHAU DCA APPROVED	12/02/04	M. ALIM 12/07/04	DWG NUMBER C = 6651938
ACAD FILE NUMBER C6651938A.DWG		REV. A		
		DWG SCALE 1=1 SH 1 OF 3		

This drawing involves proprietary design rights of Tyco Electronics Corporation, and all design, manufacture, reproduction, use and sale rights regarding the same are expressly reserved. It is submitted for a specific purpose and the recipient by accepting this drawing, assumes custody and control and agrees to take reasonable precautions; (a) that this drawing will not be copied and reproduced, in whole or in part, or its contents revealed in any manner, or to any person except to meet the purpose for which it was delivered and (b) that any special features peculiar to this design will not be incorporated in other projects without the expressed written permission of Tyco Electronics Corporation.

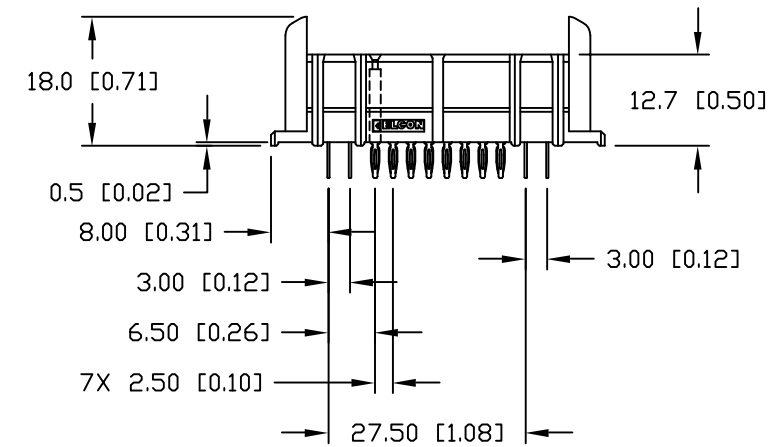
REVISIONS			
EC	REV	DESCRIPTION	DATE
		SEE SHEET 1	



DETAIL B



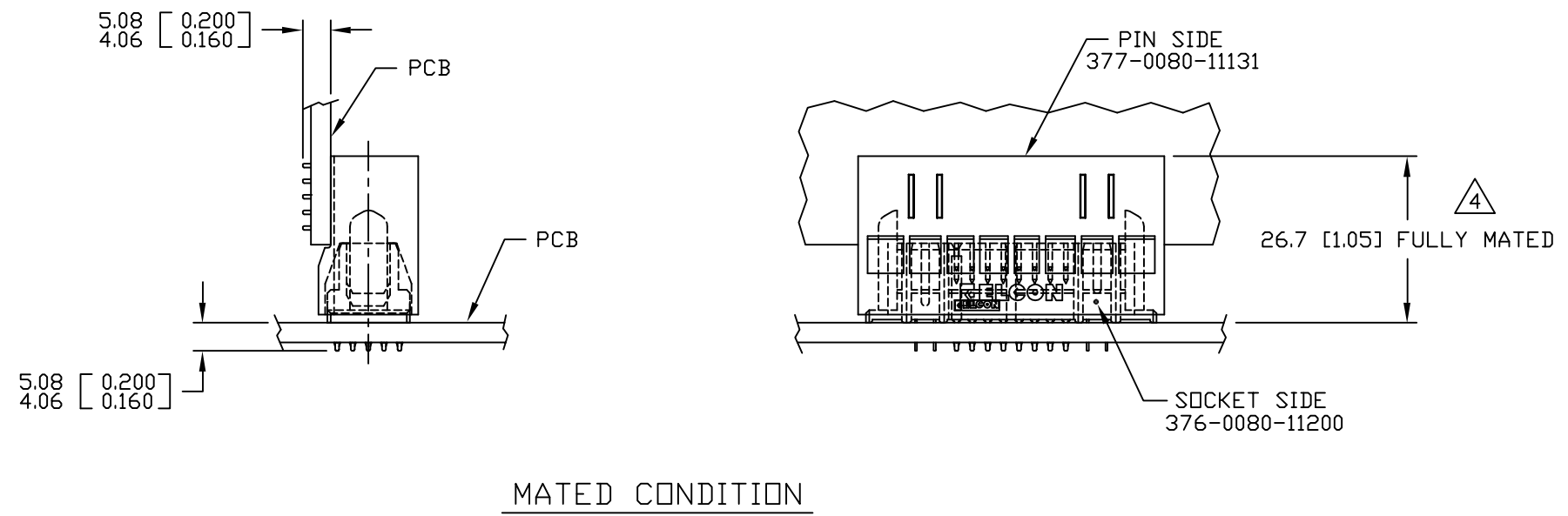
RECOMMENDED PC LAYOUT



← MM OR MM [INCH] INCH THIRD ANGLE PROJECTION UNLESS OTHERWISE SPECIFIED DIMENSIONS ARE IN METRIC [INCHES] TOLERANCES ANGLES ± .5° DECIMALS .XX ± .25 [.010] .X ± .5 [.020]	DRAWN R. F. A.	DATE 12/02/04	 Tyco Electronics Corporation Menlo Park, Ca 94025 	TITLE SOCKET CONNECTOR, MINIPAK STRAIGHT, COMPLIANT TAILS PN: 376-0080-11200A SIZE DWG NUMBER REV. B C = 6651938 A
	CHECKED			
	APPROVED			
	APPROVED D. CHAU DCA APPROVED M. ALIM	12/02/04 12/07/04		
ACAD FILE NUMBER	C6651938A.DWG		DWG SCALE 1=1	SH 2 OF 3

This drawing involves proprietary design rights of Tyco Electronics Corporation, and all design, manufacture, reproduction, use and sale rights regarding the same are expressly reserved. It is submitted for a specific purpose and the recipient by accepting this drawing, assumes custody and control and agrees to take reasonable precautions; (a) that this drawing will not be copied and reproduced, in whole or in part, or its contents revealed in any manner, or to any person except to meet the purpose for which it was delivered and (b) that any special features peculiar to this design will not be incorporated in other projects without the expressed written permission of Tyco Electronics Corporation.

REVISIONS			
EC	REV	DESCRIPTION	DATE
		SEE SHEET 1	



MATED CONDITION

DETAIL A

SOLDER TERMINATION AREA

RECOMMENDED PRINTED CIRCUIT HOLE

- FINISHED HOLE: $\phi 1.02$ [0.40] ± 0.08 [0.003]
- DRILLED HOLE: $\phi 1.15$ [0.453] ± 0.013 [0.0005]
- COPPER PLATE: .025 [0.010] MINIMUM (PER SURFACE)
- TIN PLATE: .008 [0.003] MINIMUM (PER SURFACE)

← MM OR MM [INCH] INCH THIRD ANGLE PROJECTION UNLESS OTHERWISE SPECIFIED DIMENSIONS ARE IN METRIC [INCHES] TOLERANCES ANGLES $\pm .5^\circ$ DECIMALS .XX $\pm .25$ [0.010] .X $\pm .5$ [0.020]	DRAWN R. F. A.	DATE 12/02/04	 Tyco Electronics Corporation Menlo Park, Ca 94025 	TITLE SOCKET CONNECTOR, MINIPAK USER INFORMATION AND MATED CONDITION
	CHECKED			
	APPROVED			
	APPROVED D. CHAU	12/02/04		
	DCA APPROVED M. ALIM	12/07/04	SIZE B	DWG NUMBER C = 6651938
	ACAD FILE NUMBER C6651938A.DWG		DWG SCALE 1 = 1	REV. A
				SH 3 OF 3

单击下面可查看定价，库存，交付和生命周期等信息

[>>TE Connectivity\(泰科\)](#)