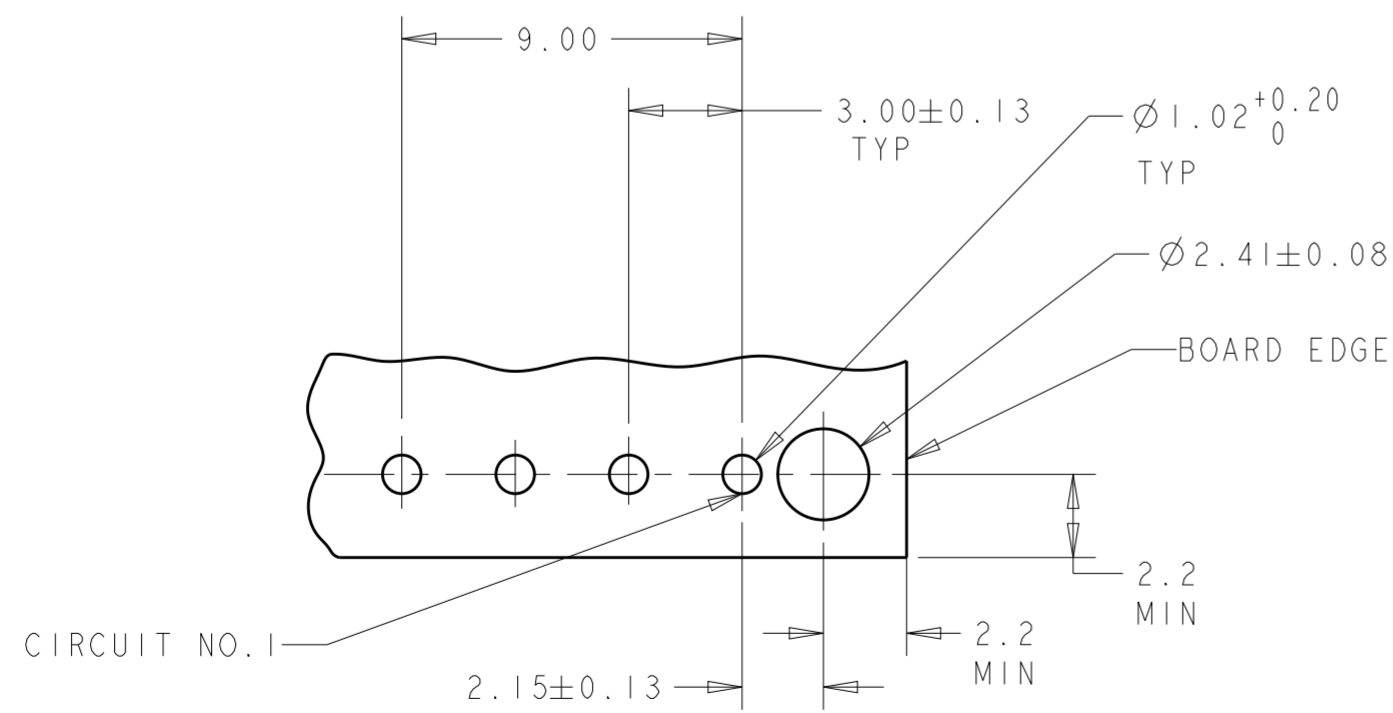
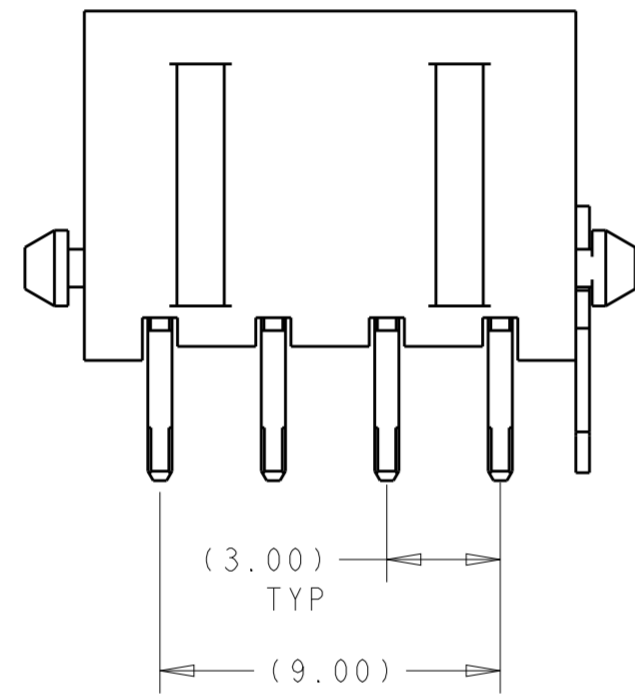
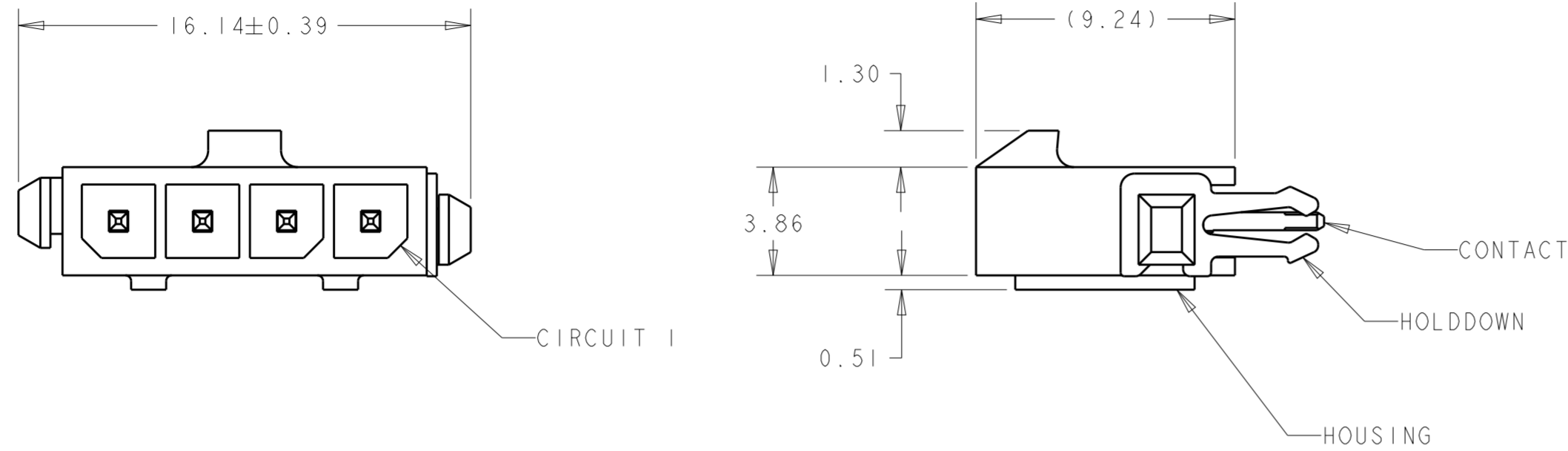


THIS DRAWING IS UNPUBLISHED. RELEASED FOR PUBLICATION 2012
 © COPYRIGHT 2012 Tyco Electronics AMP GmbH ALL RIGHTS RESERVED.

LOC	DIST	REVISIONS					
CM	00	P	LTR	DESCRIPTION	DATE	DWN	APVD
		A2		REVISED PER ECR-16-011506	23JUN2017	NK	CX
		A3		ECO-19-006502	25APR2019	AP	WS



PCB LAYOUT COMPONENT SIDE 4

- 1 MATERIAL: CONTACTS - BRASS
HOUSING - UL 94V-0 RATED HIGH TEMP NYLON, COLOR BLACK.
HOLDDOWNS: - PHOSPHOR BRONZE.
- 2 PLATING: CONTACTS - 2.54µm MINIMUM TIN-LEAD OVER 1.27µm MINIMUM NICKEL.
HOLDDOWNS: 2.54µm MINIMUM MATTE TIN OVER 1.27µm MINIMUM NICKEL.
- 4 RECOMMENDED PC BOARD THICKNESS OF 1.57.
- 5 PLATING: CONTACTS - 2.54µm MINIMUM MATTE TIN OVER 1.27µm MINIMUM NICKEL.
HOLDDOWNS: 2.54µm MINIMUM MATTE TIN OVER 1.27µm MINIMUM NICKEL.
- 6 ROHS COMPLIANT.

6	5	2-794930-4
SUPERSEDED BY 2-794930-4		2
	FINISH	PART NUMBER

THIS DRAWING IS A CONTROLLED DOCUMENT.		DWN K. WHITAKER 17-MAY-2001	STE TE Connectivity	
DIMENSIONS: mm		CHK D. COLEY 17-MAY-2001		
TOLERANCES UNLESS OTHERWISE SPECIFIED:		APVD D. COLEY 17-MAY-2001	NAME VERTICAL THRU HOLE HEADER ASSY, TIN CONTACTS, WITH THRU HOLE HOLDDOWN, SINGLE ROW, MICRO MATE-N-LOK™	
0 PLC ± 1 PLC ± 2 PLC ±0.20 3 PLC ± 4 PLC ±		PRODUCT SPEC 108-1836	SIZE CAGE CODE DRAWING NO	
ANGLES ± FINISH		APPLICATION SPEC 114-13000	RESTRICTED TO	
MATERIAL 1		WEIGHT -	A200779 C-794930	
SEE TABLE		CUSTOMER DRAWING	SCALE 5:1	SHEET 1 OF 1
				REV A3

单击下面可查看定价，库存，交付和生命周期等信息

[>>TE Connectivity\(泰科\)](#)