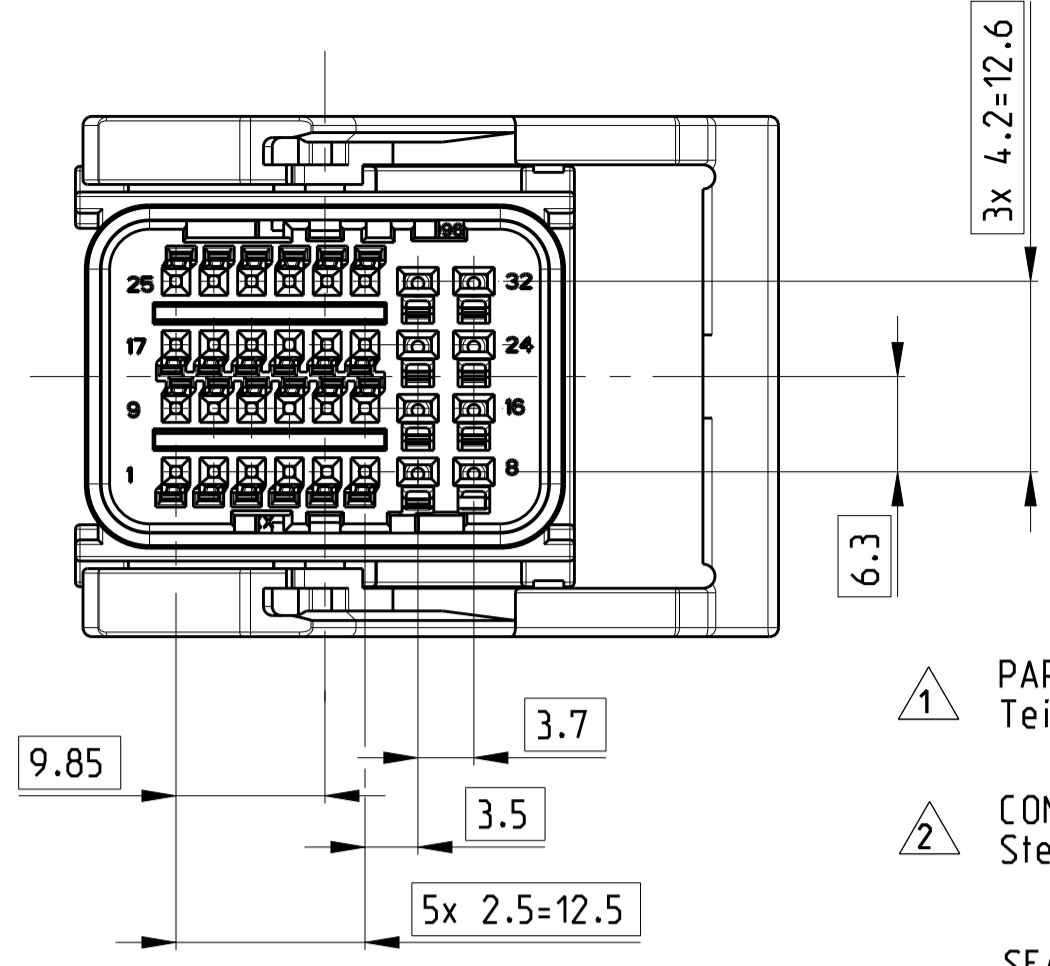
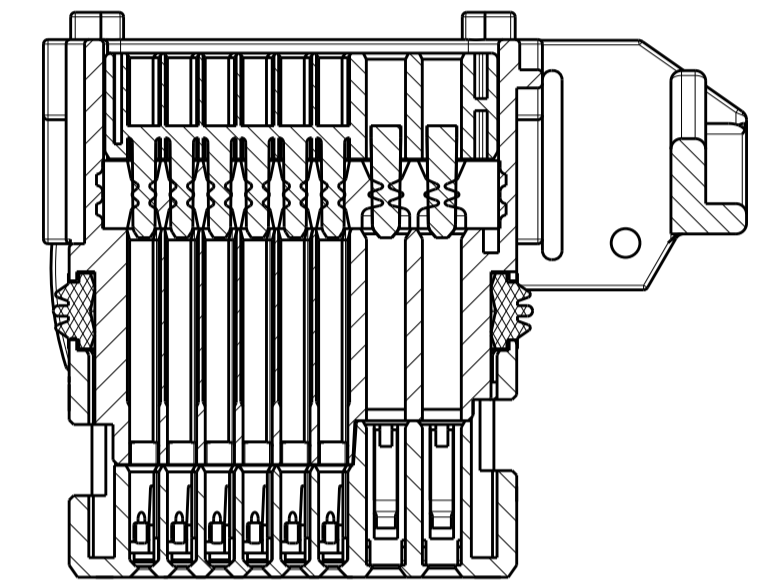


VIEW WITH COVER. LEVER IN END LOCK POSITION. THE COVER IS A SEPARATE SALES PART.

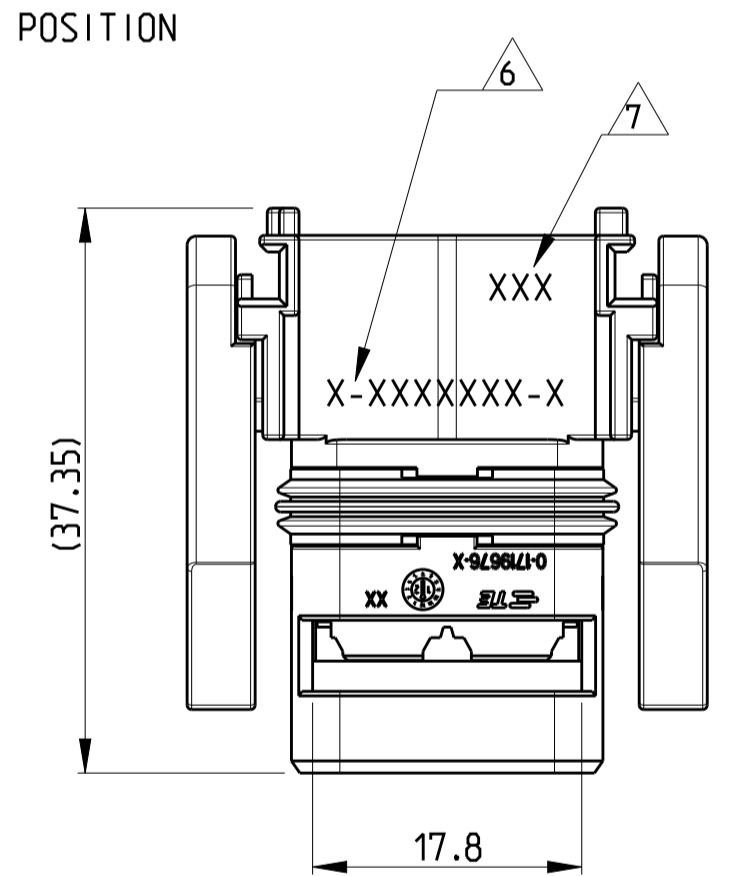
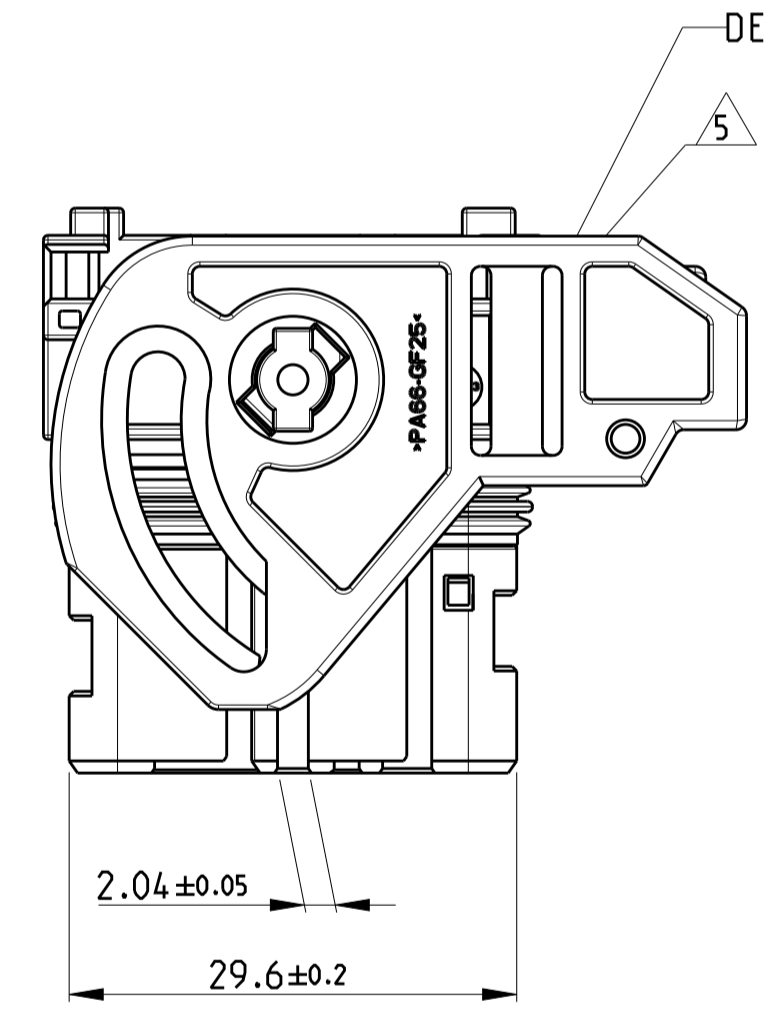
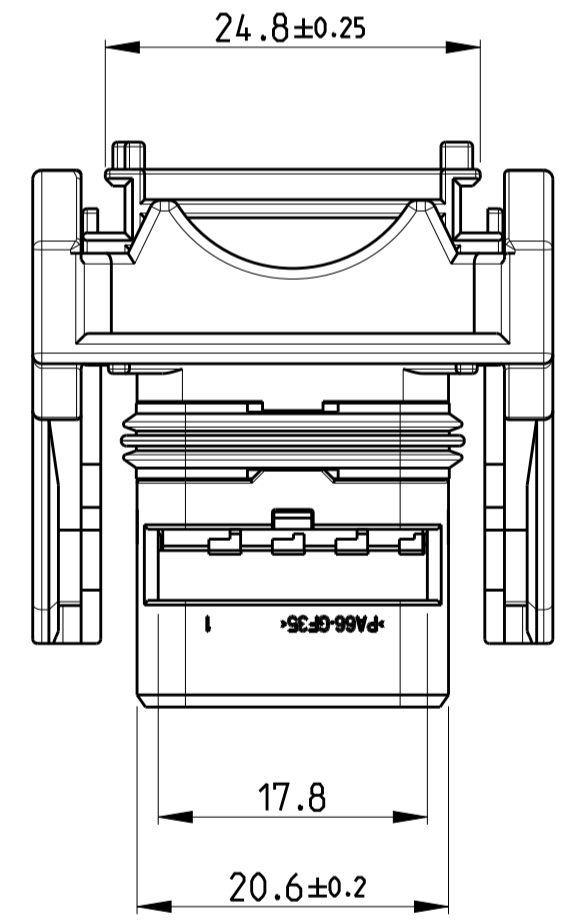
Ansicht mit Kappe. Hebel in Endraststellung. Die Kappe ist ein separates Verkaufsteil.



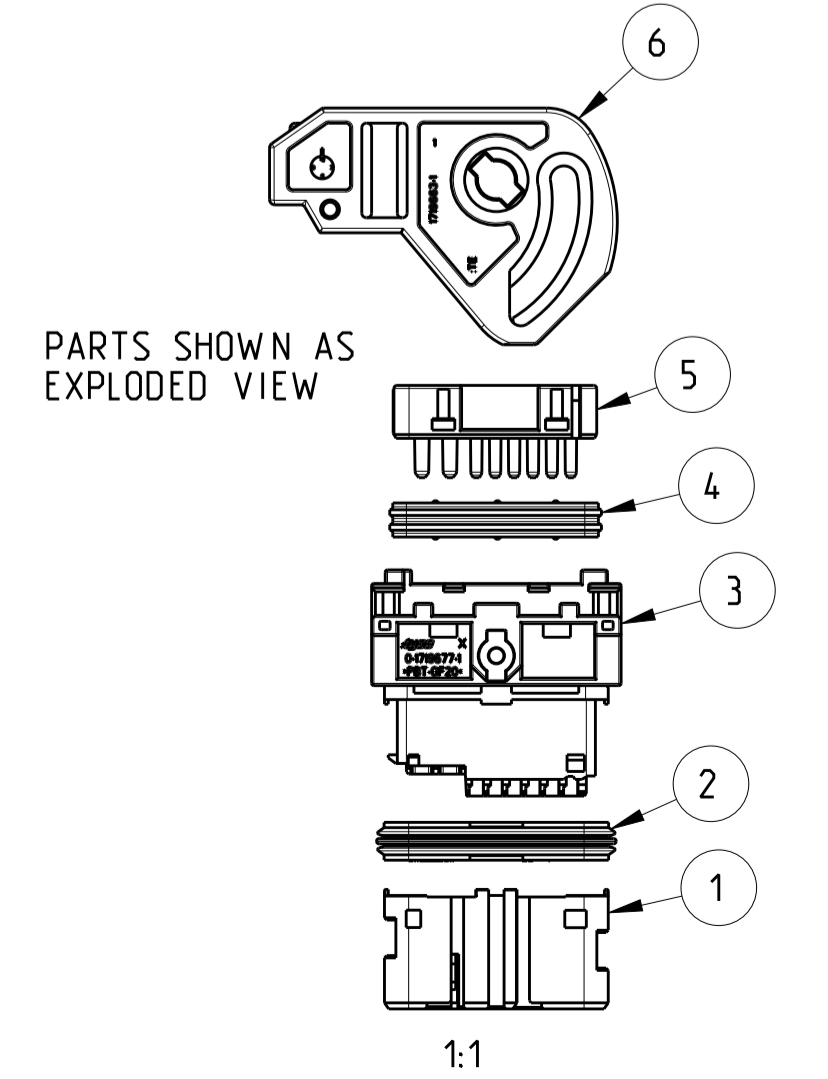
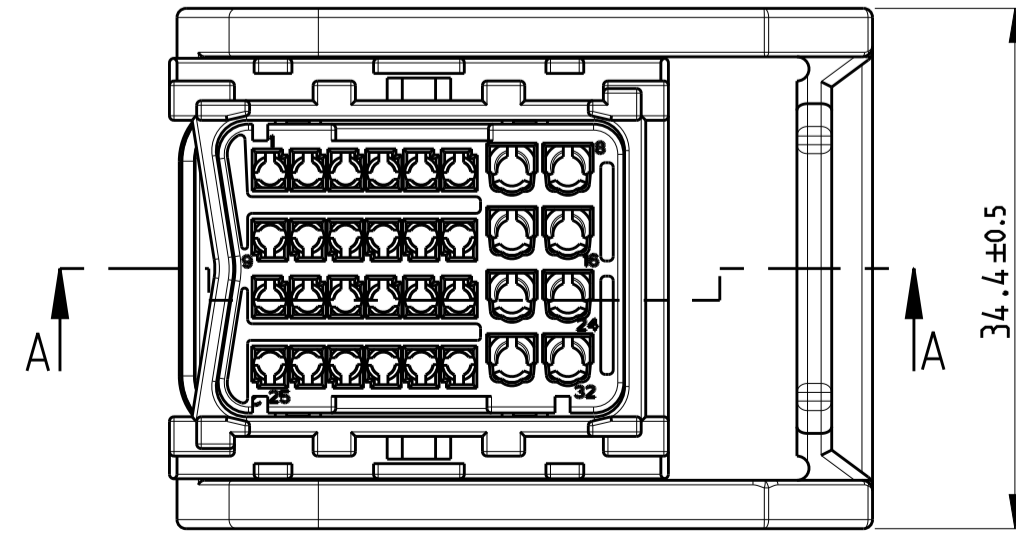
A-A



- 1 PARTS MUST CONFORM TO USCAR 2, REV. 4
Teile entsprechen USCAR 2, Rev. 4
- 2 CONNECTOR MATING / UNMATING FORCES MAX. 75N
Steckkraft / Oeffnungskraft max. 75N
- 3 SEALING FUNCTION REQUIRES ONLY FOLLOWING WIRE SIZE DIAMETERS FOR THE TERMINALS:
Zur Sicherstellung der Dichtigkeit duerfen folgende Drahtquerschnitte bei den Kontakten verwendet werden:
SIGNAL TERMINAL: 0.35MM² - 0.75MM² WITH CABLE OD Ø1.2 - 1.9MM
POWER TERMINAL: 0.5mm² - 1.5mm² WITH CABLE OD Ø1.4 - 2.4mm
- 4 MATED WITH:
Passend zu:
COVER 0-1719667-1
2-NDRY LOCK 0-1719661-1
2-NDRY LOCK 0-1719662-1
Kappe 0-1719667-1
2te Kontaktsicherung 0-1719661-1
2te Kontaktsicherung 0-1719662-1



- 5 LEVER IN PRE-LOCK POSITION
Hebel in Vorraststellung
- 6 MARKING WITH TE PN. SEE PINOUT CONFIGURATION ON DRAWING 1670065
Markierung fuer TE PN. siehe Pinout konfigurations-tabelle auf Zeichnung 1670065
- 7 A THREE DIGIT MARKING ACCORDING TABLE ON DRAWING 1670065 LOCATED ON SIDE OF THE FEMALE HOUSING
Eine dreistellige Markierung gemaeSS Tabelle wie auf Zeichnung 1670065 auf der Seite des Kontaktgehaeuses
- 8 INTERFACE SPECIFICATION: 114-18761
Schnittstellen Spezifikation: 114-18761



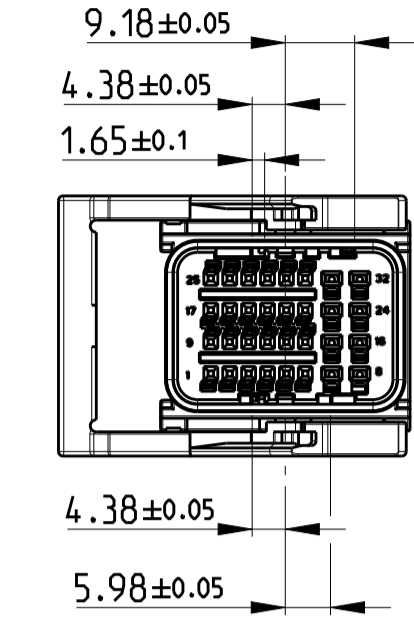
PARTS SHOWN AS EXPLODED VIEW

PIN-OUT CONFIGURATION SEE DRAWING 1670065

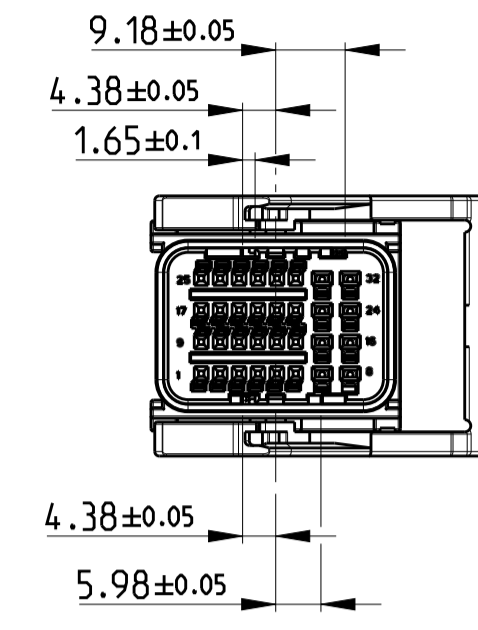
TERMINALS				
968220-1	PRE-TIN	0.35 - 0.5	Ø1.20 - 1.60	BLINDPLUG: PN 1394871-1 Blindslooper: PN 1394871-1
968221-1	PRE-TIN	0.5 - 0.75	Ø1.40 - 1.90	
638652-2	PRE-TIN	0.5 - 1.00	Ø1.40 - 2.10	BLINDPLUG: PN 1670108-1 Blindslooper: PN 1670108-1
638652-1	PRE-TIN	1.0 - 1.5	Ø1.90 - 2.40	
TERMINALS TE PN TE Kontakt PN	FINISH Oberflaeche	WIRE SIZE (mm ²) Drahtquerschnitt (mm ²)	WIRE SIZE DIAMETER Kabeldurchmesser	NOTES Bemerkungen

1719675 AS SHOWN
1719675 wie gezeichnet

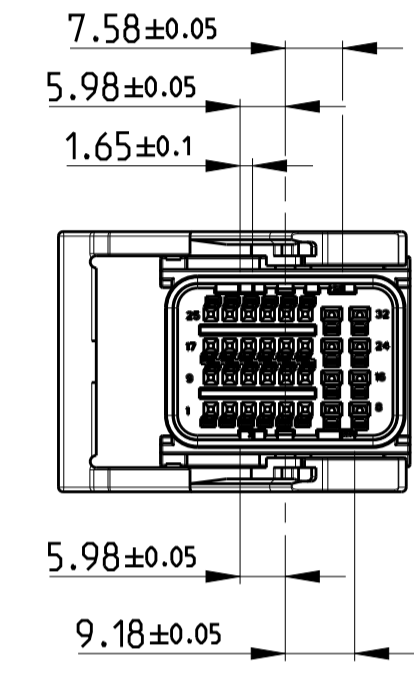
LOC	DIST	REVISIONS					
		P	LTR	DESCRIPTION	DATE	DWN	APVD
D				ECR-10-006020	18MAR2010	MK	GM
D1				ECR-12-012574	12JUL2012	SH	GM



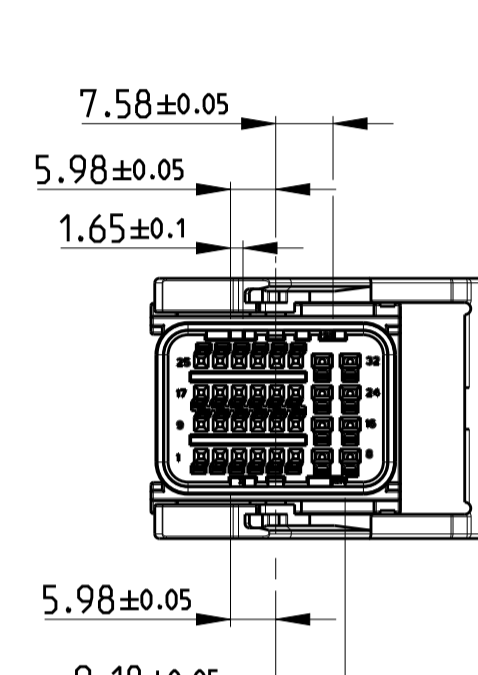
**CODING 1
BLACK
LEVER LEFT
CABLE EXIT RIGHT
PN 1670065/2141581**



**CODING 1
BLACK
LEVER RIGHT
CABLE EXIT LEFT
PN 1719675/2177515**

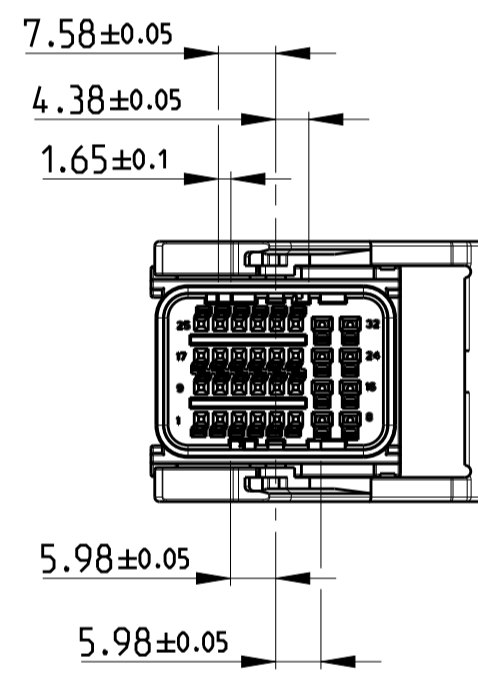


**CODING 2
GREY
LEVER LEFT
CABLE EXIT RIGHT
PN 1670066**



**CODING 2
GREY
LEVER RIGHT
CABLE EXIT LEFT
PN 1719682/2141582**

NOTE:
TOLERANCES SCHEME CHANGED TO SYMMETRICAL TOLERANCES. SLIGHT ADAPTATIONS ON TOLERANCE LIMITS REQUIRED FOR SPECIFIC DIMENSIONS - PART FUNCTIONALITY NOT AFFECTED



**CODING 5
BLUE
LEVER RIGHT
CABLE EXIT LEFT
PN 1418392**

QTY	RECD	PER	ASSY	PART NUMBER OF EACH ASSY	DESCRIPTION	COLOUR	ITEM NO	
1	1	1	1	PA66-GF25	LEVER LEFT SIDE	NATURAL	6	
1	1	1	1	PA66-GF25	LEVER RIGHT SIDE	NATURAL	6	
1	1	1	1	PBT-GF20	COVER FOR FAMILY SEAL	BLACK	5	
1	1	1	1	MVQ	FAMILY SEAL	LIGHT BLUE	4	
1	1	1	1	PBT-GF20	32 POS. (UPPER PART)	BLACK	3	
1	1	1	1	MVQ	RADIAL SEAL	NATURAL	2	
1	1	1	1	PA66-GF35	32 POS. (LOWER PART) CODING 5	BLUE	1	
1	1	1	1	PA66-GF35	32 POS. (LOWER PART) CODING 2	GREY	1	
1	1	1	1	PA66-GF35	32 POS. (LOWER PART) CODING 1	BLACK	1	
					MATERIAL	DESCRIPTION	COLOUR	ITEM NO
					PART NUMBER OF EACH ASSY			
					CODING LEVER POSITION			
					REVISION OF EACH ASSY NO			
					PARTS LIST			

THIS DRAWING IS A CONTROLLED DOCUMENT. DWG: M. Kressmann 10MAY2006
CHK: K. Roth 24MAY2006
APVD: G. Mumber 23JUL2007

STE TE Connectivity

NAME: 32POS MIXED RECEPTACLE HOUSING 24xMQS AND 8x1.5

SIZE: A1 CAGE CODE: 00779 DRAWING NO: 1719675 RESTRICTED TO: 1

MATERIAL: - FINISH: - WEIGHT: - SCALE: 2:1 SHEET: 1 OF 1 REV: 01

单击下面可查看定价，库存，交付和生命周期等信息

[>>TE Connectivity\(泰科\)](#)