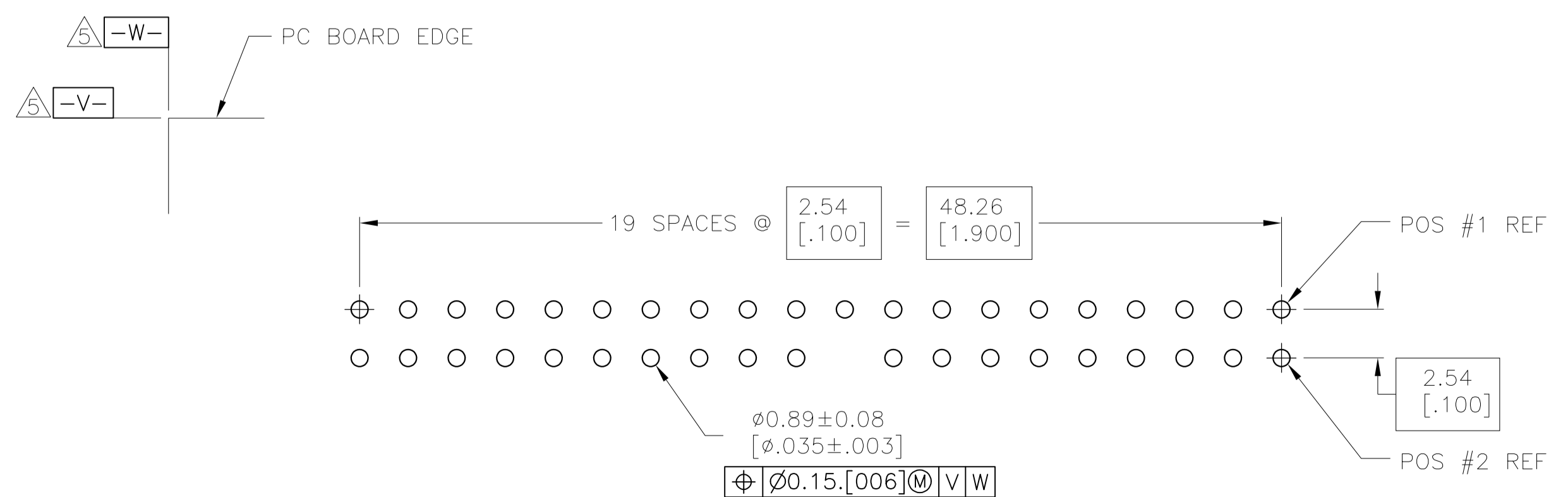
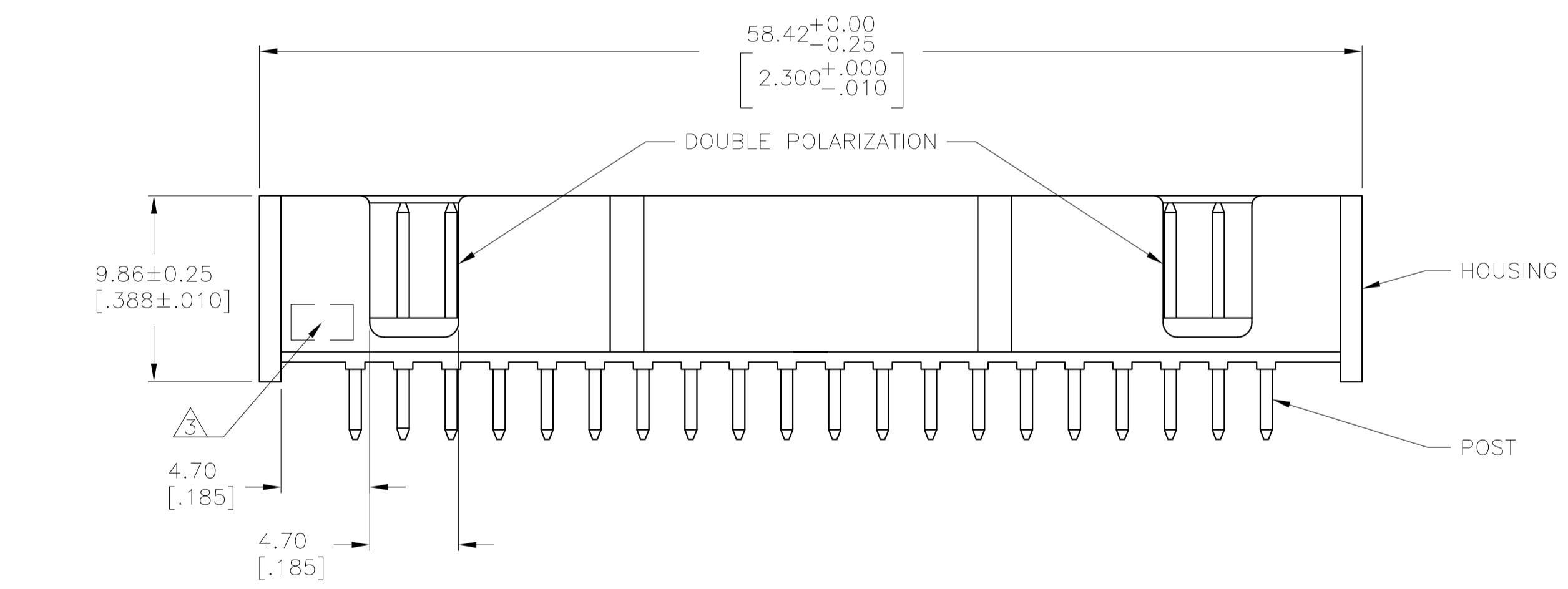
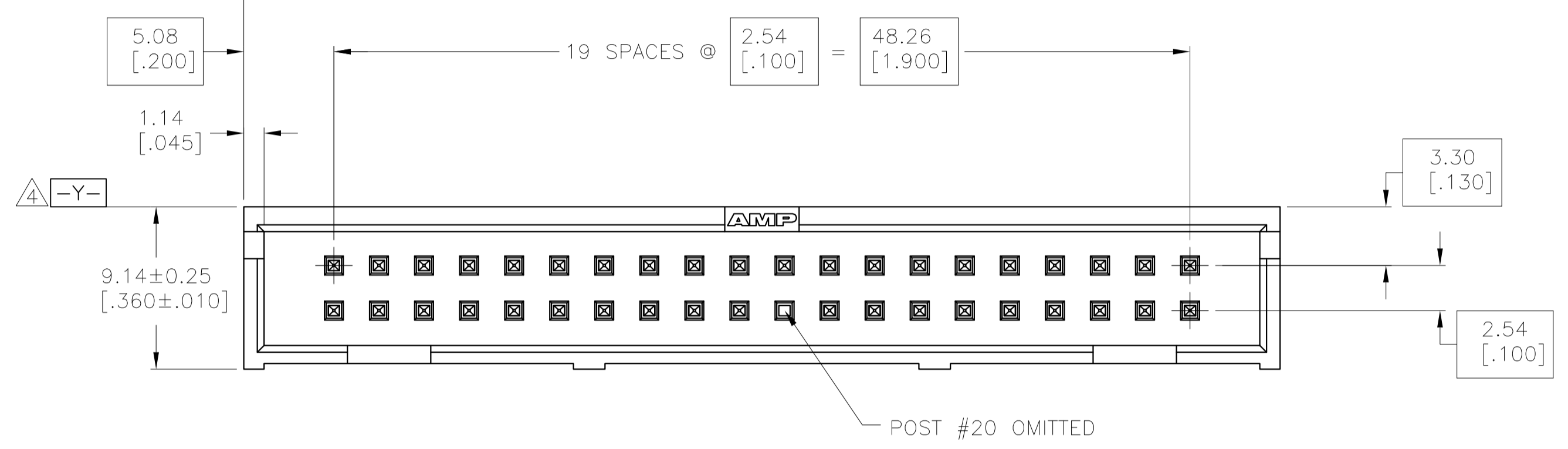
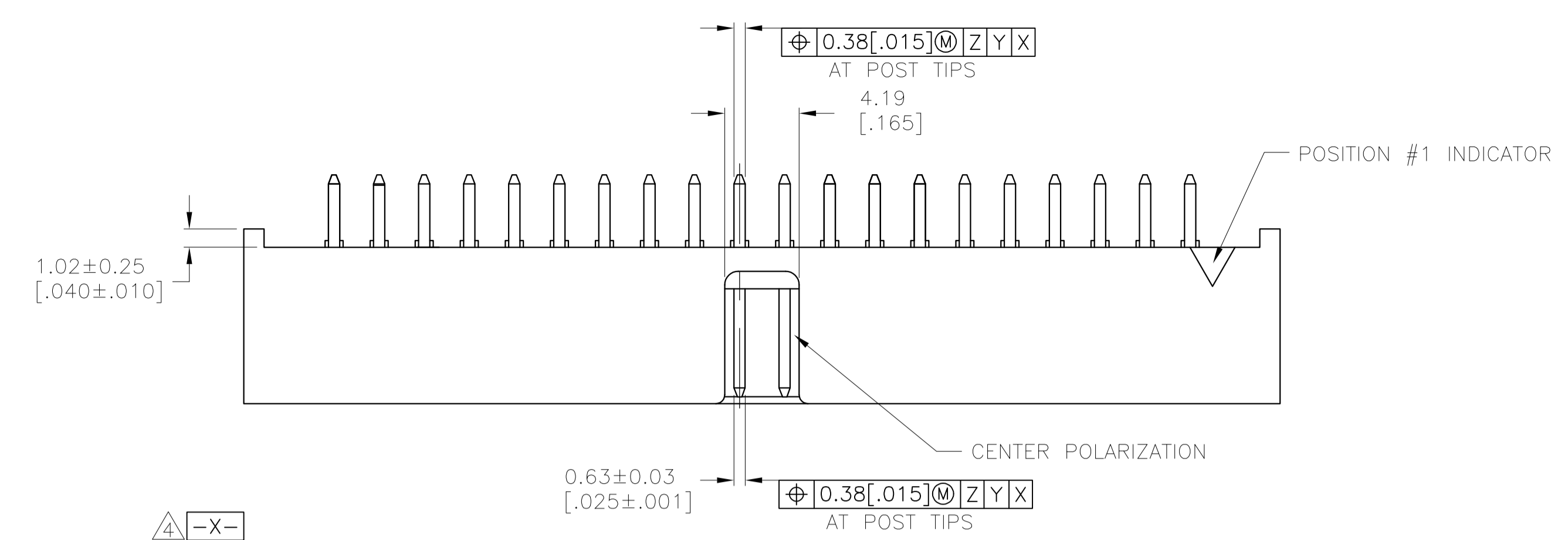
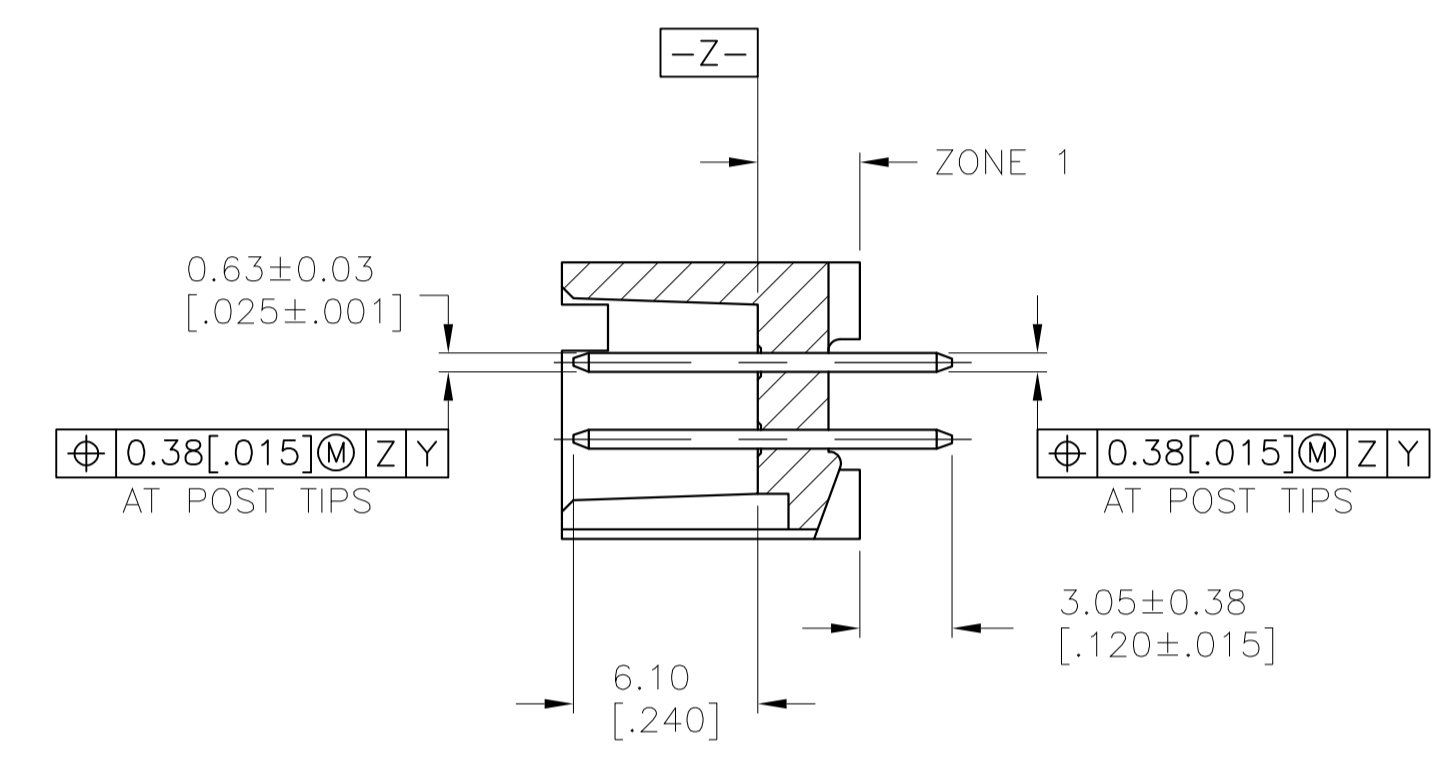


LOC		DIST		REVISIONS			
GP	00	REV	DATE	BY	APPV		
C		REVISED PER ECO-11-003735	16MAR2011	CJV	SLB		



RECOMMENDED PC BOARD LAYOUT
(VIEWED FROM CONNECTOR SIDE)

- △ HOUSING: POLYESTER OR NYLON, COLOR BLACK.
- △ POSTS: GOLD FLASH OVER PALLADIUM-NICKEL PLATE, 0.38μm[.000015] MIN TOTAL ON THE MATING SURFACES, 2.54μm[.000100] MIN TIN-LEAD PLATE ON THE SOLDER-TAILS, 1.27μm[.000050] MIN NICKEL UNDERPLATE ON THE ENTIRE POST.
- OR-
- △ .38μm[.000015] MIN GOLD PLATE ON THE MATING SURFACES, 2.54μm[.000100] MIN TIN-LEAD PLATE ON THE SOLDER-TAILS, 1.27μm[.000050] MIN NICKEL UNDERPLATE ON THE ENTIRE POST.
- △ OPTIONAL TYCO IDENTIFICATION NUMBER (DATE CODE). LOCATION APPROXIMATELY WHERE SHOWN.
- △ DATUMS X & Y APPLY IN ZONE 1.
- △ DATUMS V & W TO BE ESTABLISHED BY CUSTOMER.



AS SHOWN	111782-8
DESCRIPTION	PART NUMBER

THIS DRAWING IS A CONTROLLED DOCUMENT.		DIN J.GERACE 06DEC04	Tyco Electronics Corporation Harrisburg, PA 17105-3608
DIMENSIONS: mm [INCHES]		CIK S.BOLASH 06DEC04	
TOLERANCES UNLESS OTHERWISE SPECIFIED:		APVD M.WALMSLEY 06DEC04	NAME 108-40018
0 PLC ± -		PRODUCT SPEC	
1 PLC ± -		APPLICATION SPEC	SIZE CAGE CODE DRAWING NO
2 PLC ± -		RESTRICTED TO	A1 00779 C=111782-8
3 PLC ± 0.13[.005]			SCALE 4:1 SHEET 1 OF 1 REV C
4 PLC ± -			
ANGLES ± -			
MATERIAL	FINISH	WEIGHT	CUSTOMER DRAWING

单击下面可查看定价，库存，交付和生命周期等信息

[>>TE Connectivity\(泰科\)](#)