

4

3

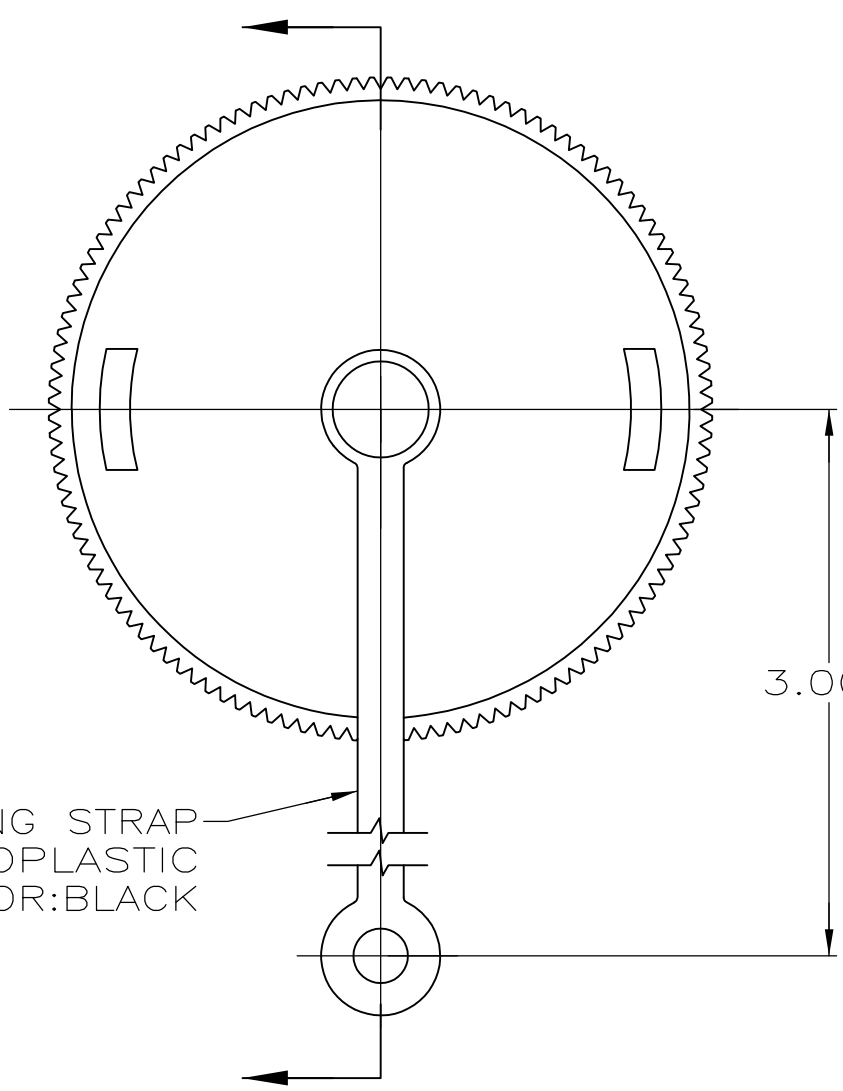
2

1

THIS DRAWING IS UNPUBLISHED. RELEASED FOR PUBLICATION
 © COPYRIGHT - By - ALL RIGHTS RESERVED.

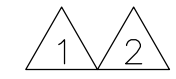
LOC	DIST	REVISIONS			
P	LTR	DESCRIPTION	DATE	DWN	APVD
BD	35	G3	REVISED PER ECO-11-004917	11MAR11	RK HMR

- 1 FINISH: ZINC PLATE WITH CLEAR CHROMATE
- 2 FINISH: ZINC PLATE WITH NON-HEXAVALENT CHROMATE



MOUNTING STRAP
 MATERIAL: THERMOPLASTIC
 COLOR: BLACK

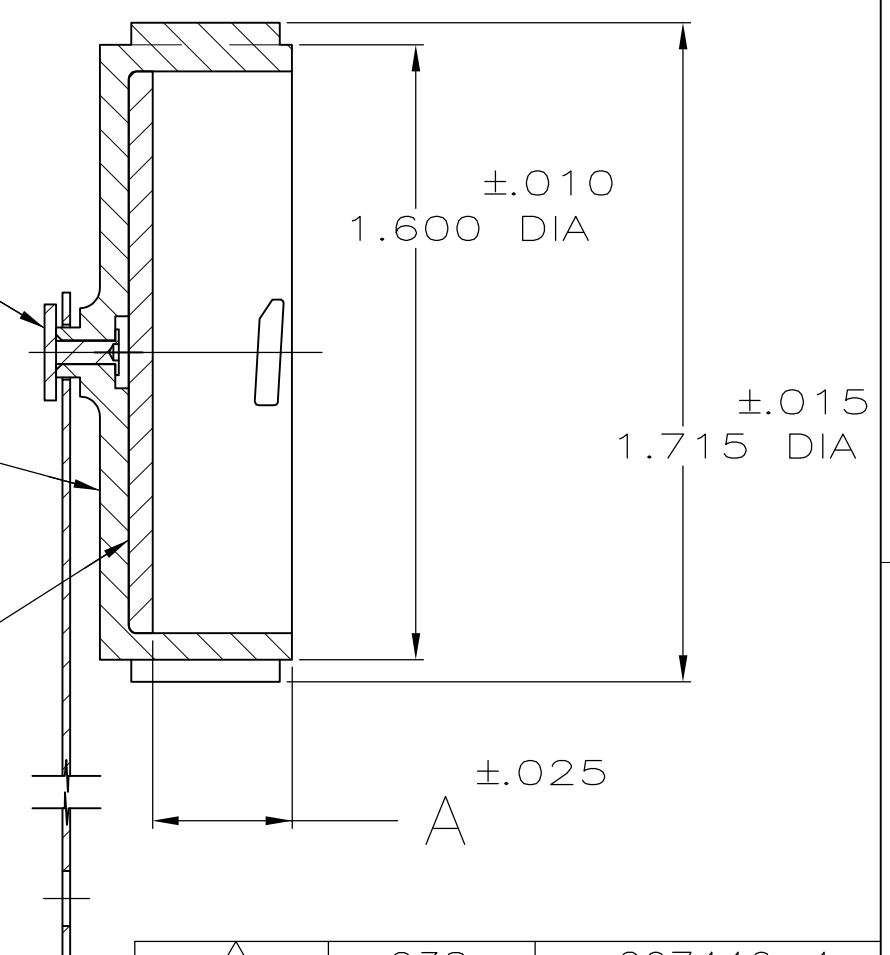
MATERIAL: CARBON
 STEEL



SEALING CAP
 MATERIAL: THERMOPLASTIC
 COLOR: BLACK

SEALING GASKET
 MATERIAL: ELASTOMER
 COLOR: BLACK

RIVET
 MATERIAL: CARBON
 STEEL



2	.238	207446-4
2	.363	207446-3
1	.238	207446-2
1	.363	207446-1
FINISH	A	PART NUMBER

SUPERCEDED BY 207446-4
 SUPERCEDED BY 207446-3

THIS DRAWING IS A CONTROLLED DOCUMENT.		DWN	S.RIDGLEY	BG	8/1/90	STE TE Connectivity			
DIMENSIONS: INCHES		CHK	R.STONE		4-26-91				NAME
TOLERANCES UNLESS OTHERWISE SPECIFIED:		APVD	K.BEAVER		4-30-91	PRODUCT SPEC			
0 PLC ± -		APPLICATION SPEC				SEALING CAP ASSY, SIZE 23, CPC			
1 PLC ± -		WEIGHT				RESTRICTED TO			
2 PLC ± -		CUSTOMER DRAWING				SIZE	CAGE CODE	DRAWING NO	
3 PLC ± .005		SCALE				A3	00779	C-207446	
4 PLC ± -		SHEET				2:1		1 OF 1	REV
ANGLES ± -		SHEET				1 OF 1		G3	
MATERIAL SEE CALLOUTS		FINISH SEE CALLOUTS							

单击下面可查看定价，库存，交付和生命周期等信息

[>>TE Connectivity\(泰科\)](#)