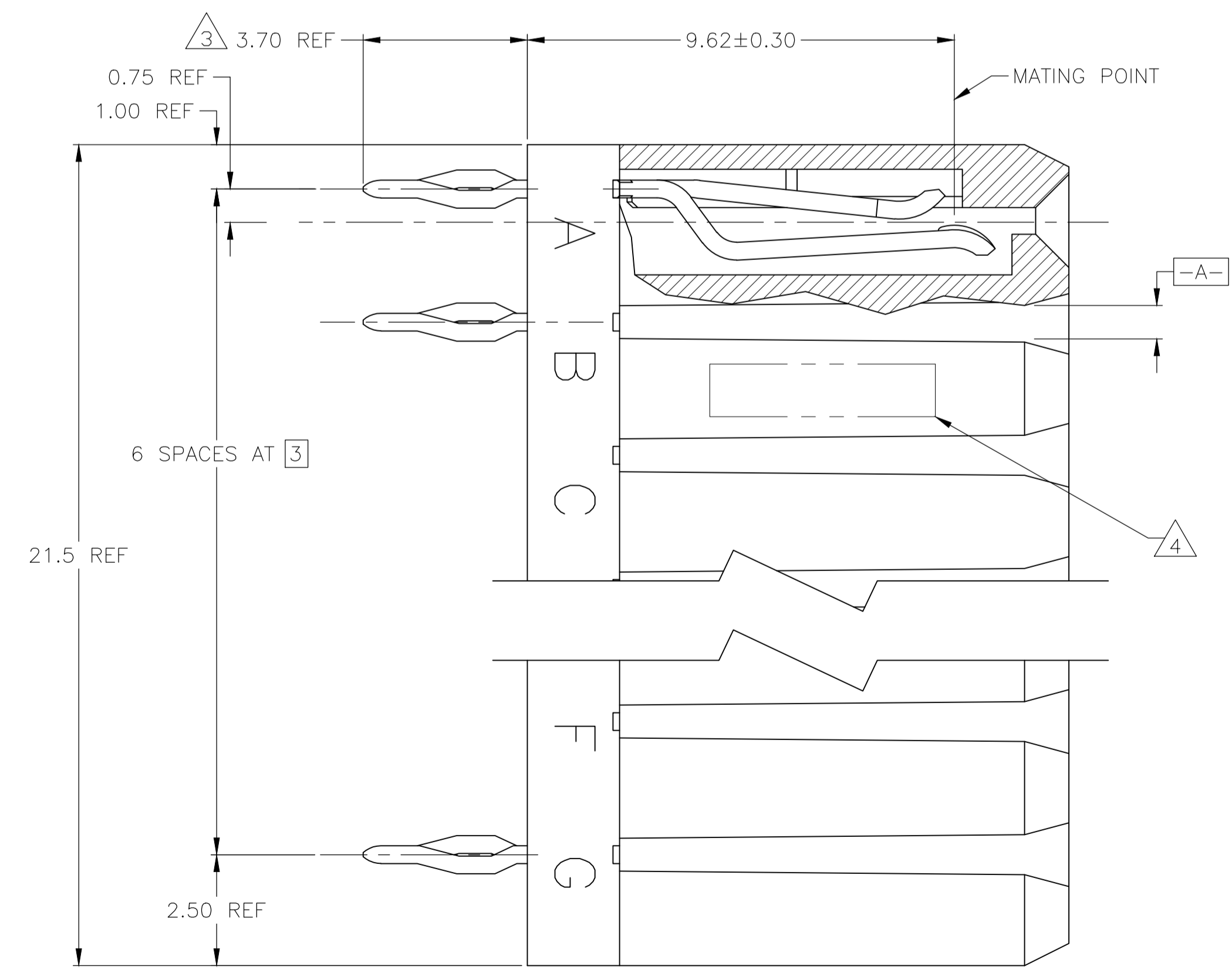
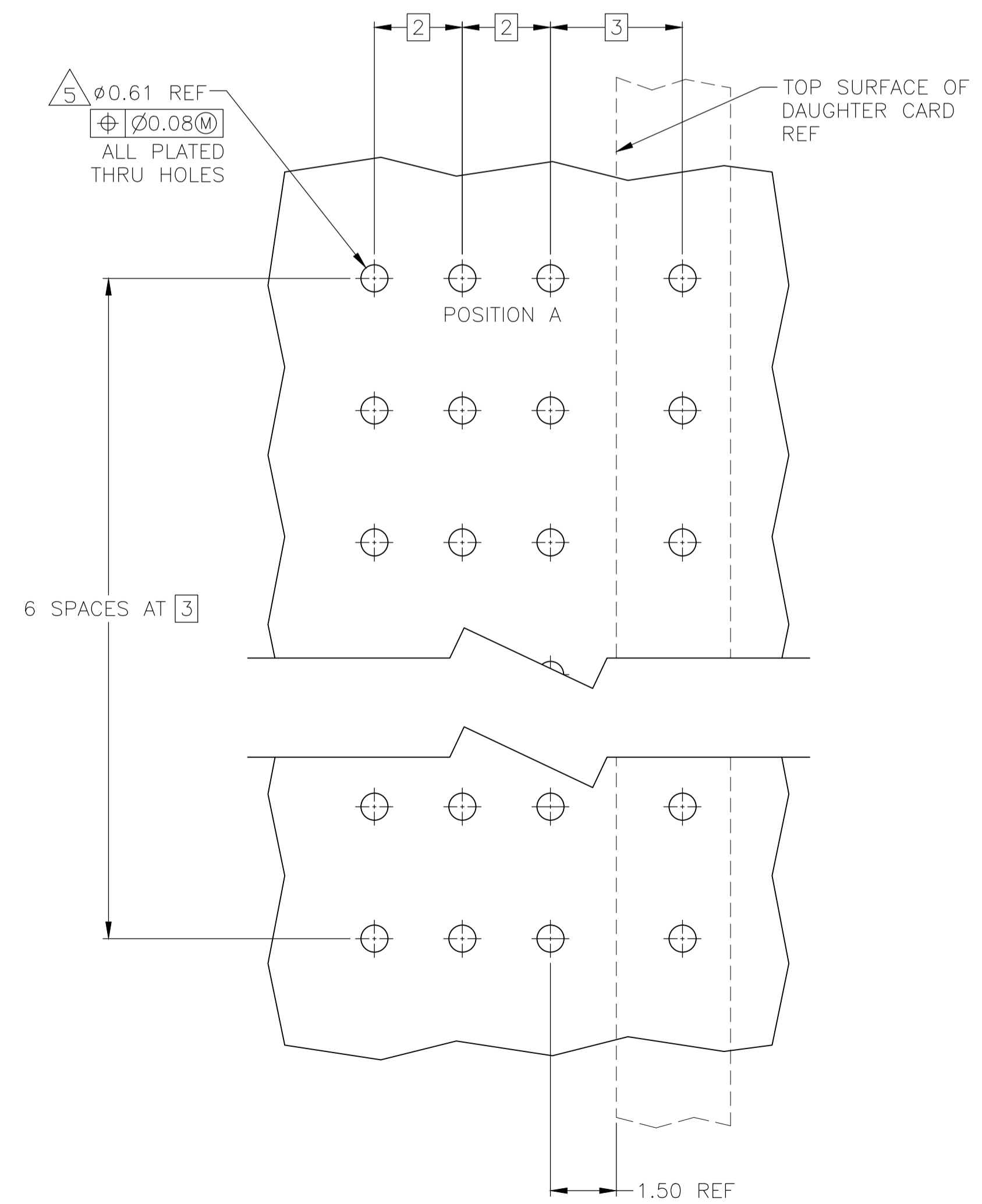
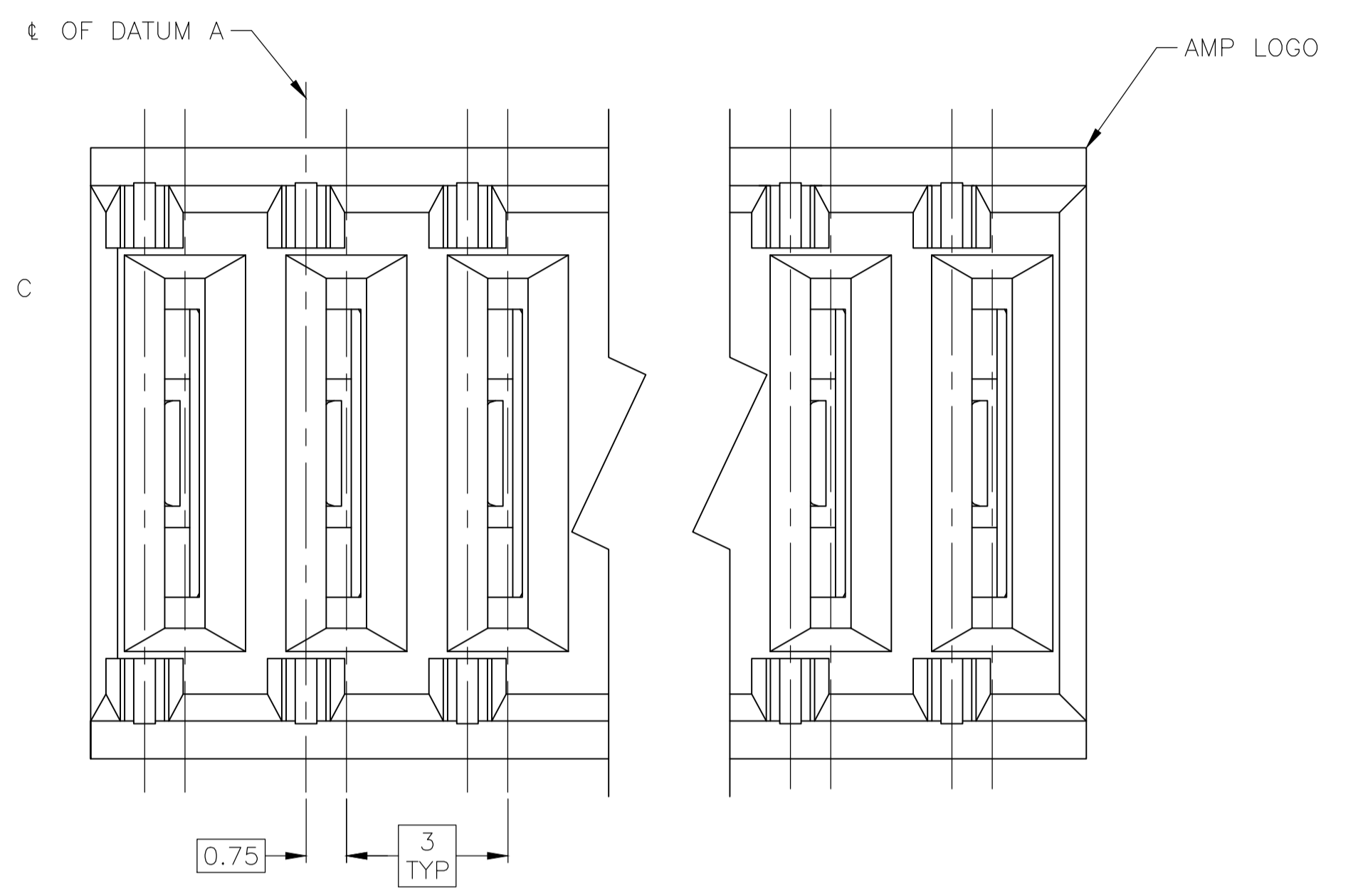
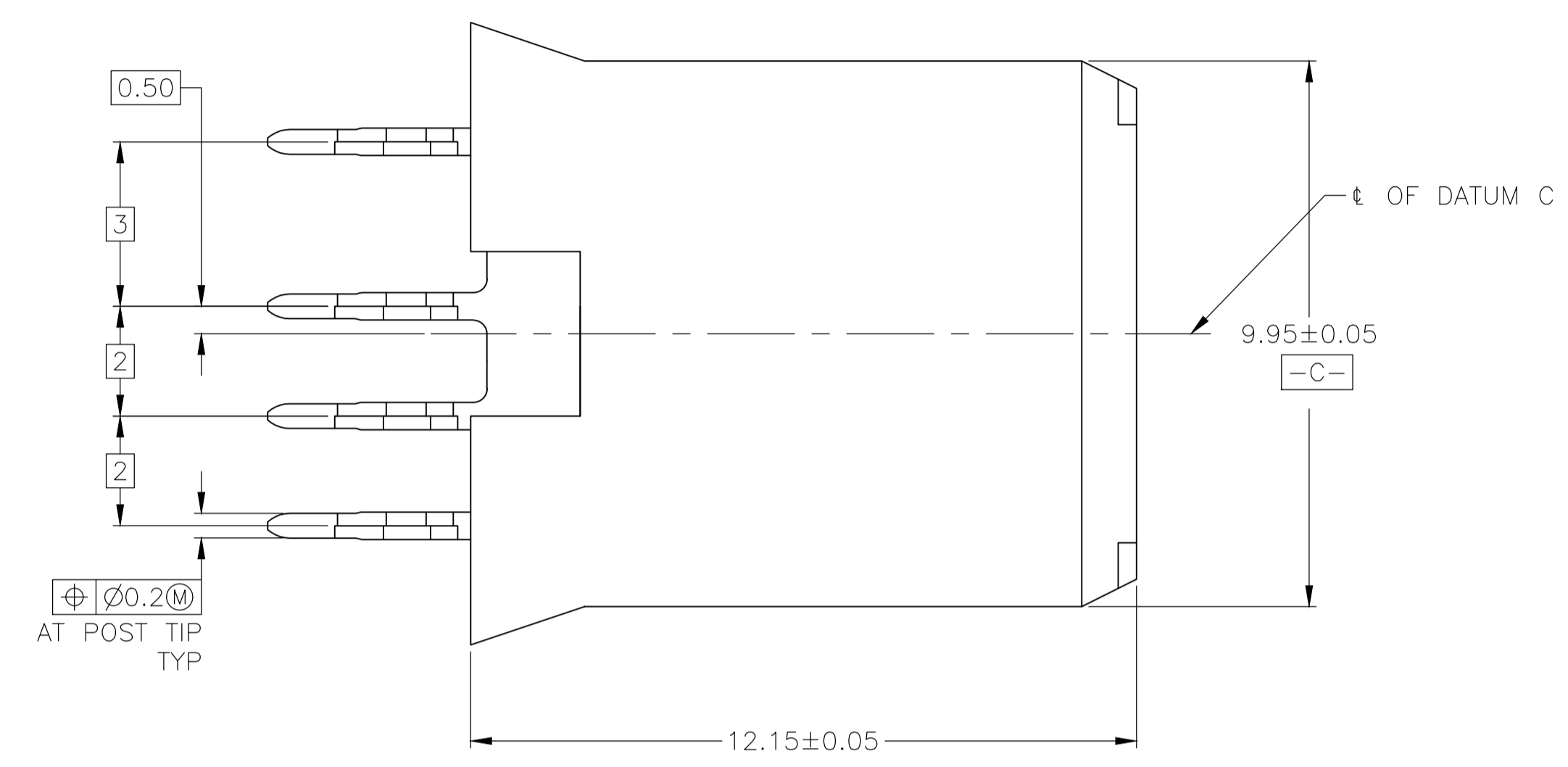
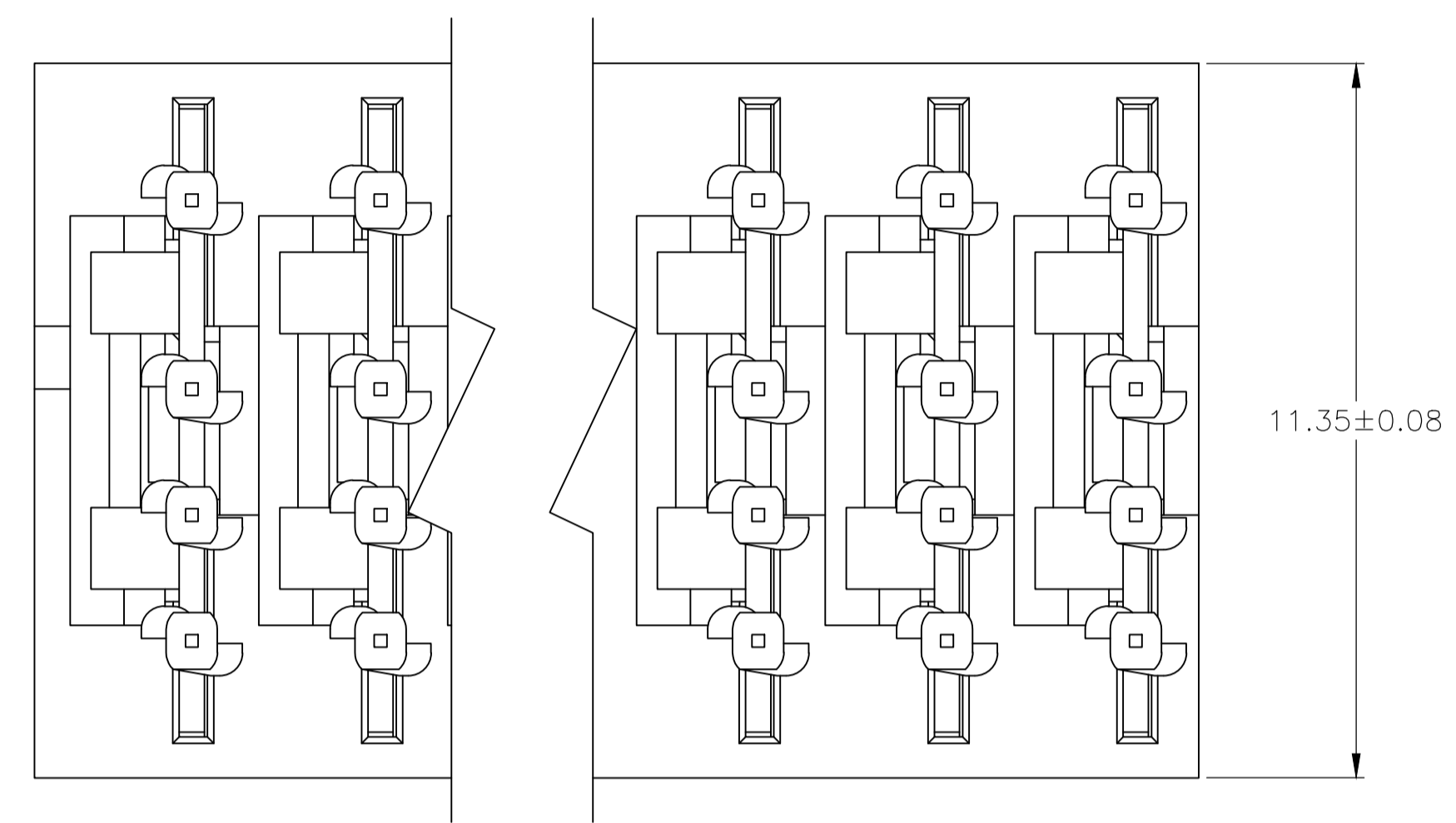


LOC		DIST		REVISIONS				
P	LTR	DESCRIPTION	DATE	DN	APVD			
A1	REV PER	RECO-20-004668	10JUN2020	ML	SZ			

- 1 MATERIAL: HOUSING : POLYESTER, GRAY. UL 94V-0.
CONTACT: HIGH CURRENT COPPER ALLOY.
- 2 FINISH: IN ACCORDANCE WITH PRODUCT SPECIFICATION 108-1651,
GOLD PLATING OR EQUIVALENT PLATING ON PRODUCT CONTACT MATING AREA,
AND MATTE TIN PLATING ON COMPLIANT PIN AREA, ALL OVER MATTE NICKEL
UNDERPLATED. DETAIL PLEASE REFER TO PRODUCT SPECIFICATION 108-1651.
- 3 TOLERANCE TO BE ± 0.28 AFTER CONNECTOR IS APPLIED TO PC BOARD.
- 4 DATE CODE THIS APPROXIMATE AREA, OPPOSITE SIDE.
- 5 REFERENCE APPLICATION SPEC 114-1103 FOR RECOMMENDED
PLATED THRU HOLE DIAMETER AND PLATING THICKNESS.
- 6 CURRENT RATING 16A/CONTACT PER PRODUCT SPEC 108-1651.
- 7 FINISH: CONTACT LUBRICATION WITH BELLCORE APPROVED LUBRICANT.
TECHNICAL REFERENCE: GR-1217-CORE ISSUE 1, NOVEMBER 1995.



RECOMMENDED PCB HOLE LAYOUT

A,B,D,E,G	5	1645636-1
POSITIONS LOADED	NO.OF LOADED POSITIONS	PART NUMBER
STE TE Connectivity		
7 POSITIONS, RECEPTACLE ASSEMBLY, SELECT LOAD, UNIVERSAL POWER MODULE		
SIZE	CAGE CODE	DRAWING NO
A1	00779	1645636
CUSTOMER DRAWING		
SCALE	SHEET	REV
10:1	1 OF 1	A1

单击下面可查看定价，库存，交付和生命周期等信息

[>>TE Connectivity\(泰科\)](#)