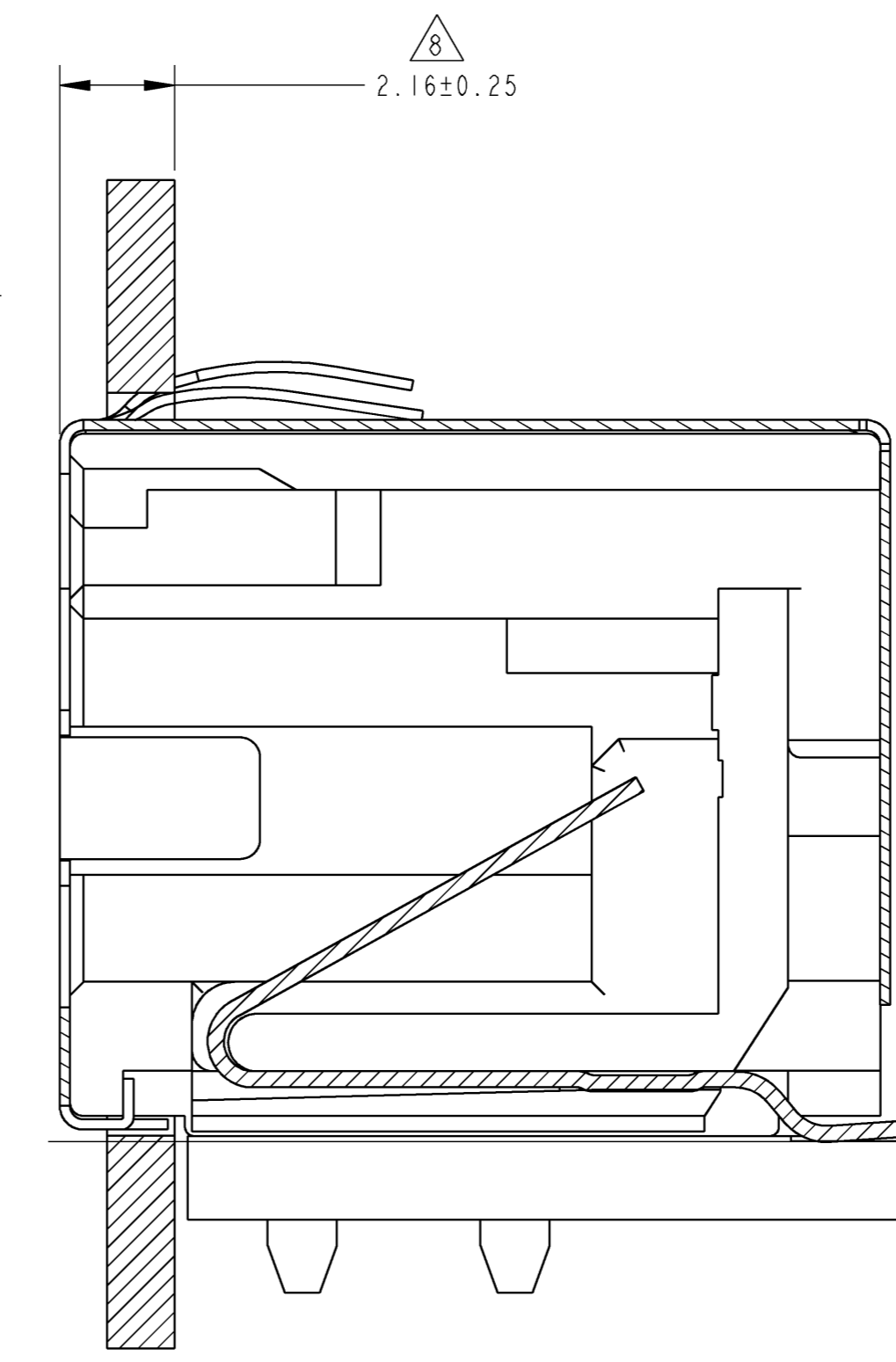
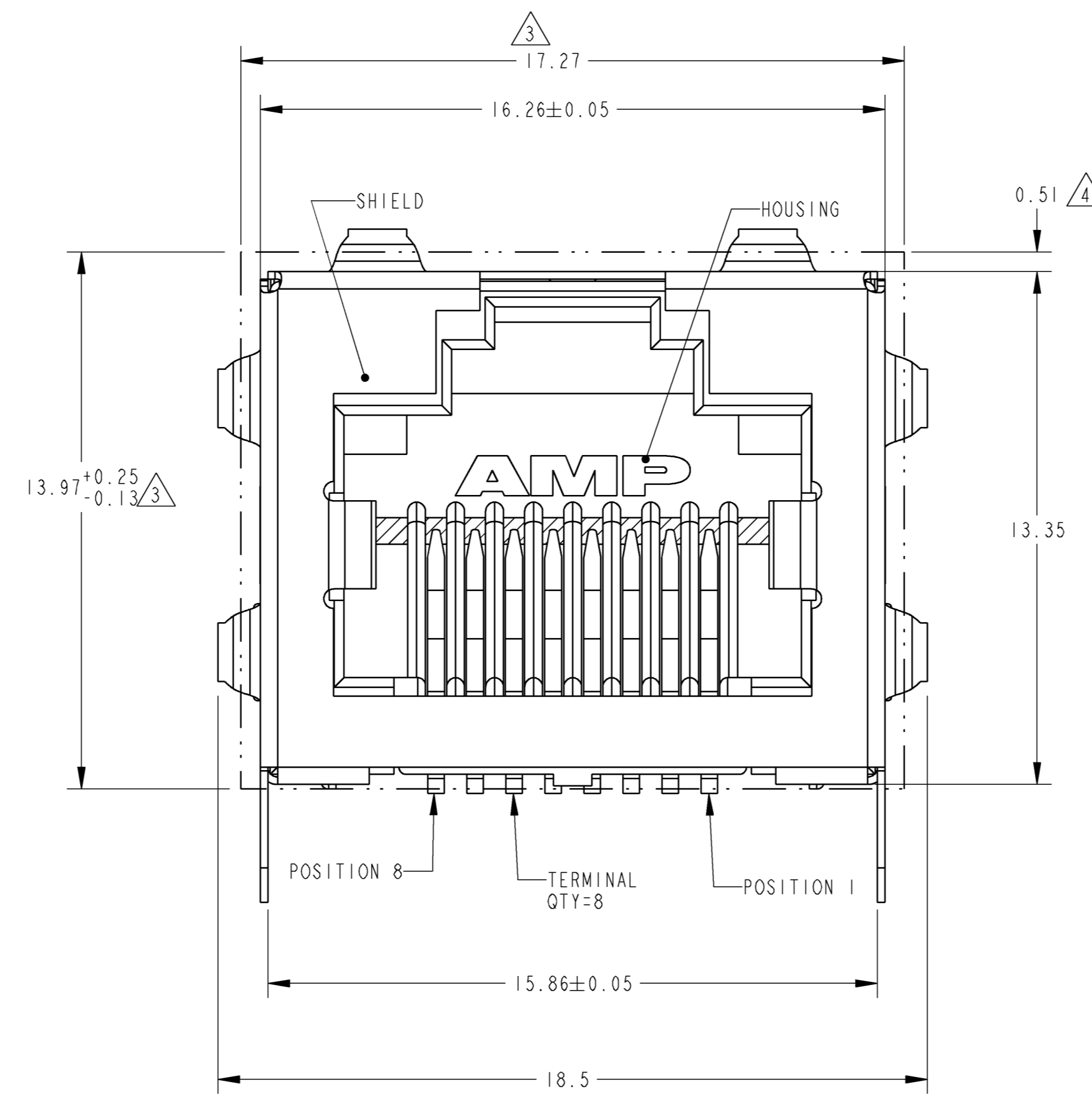
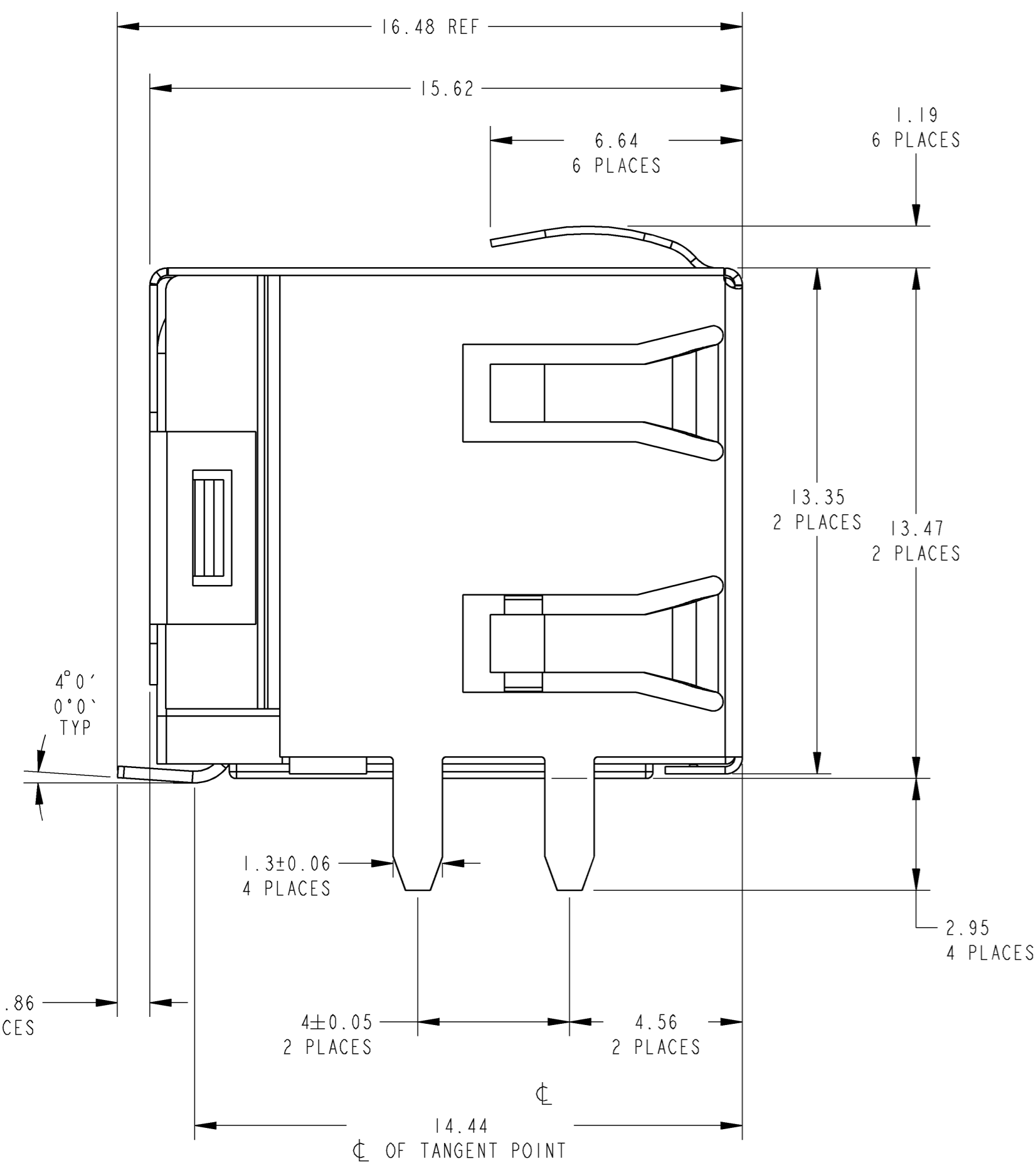
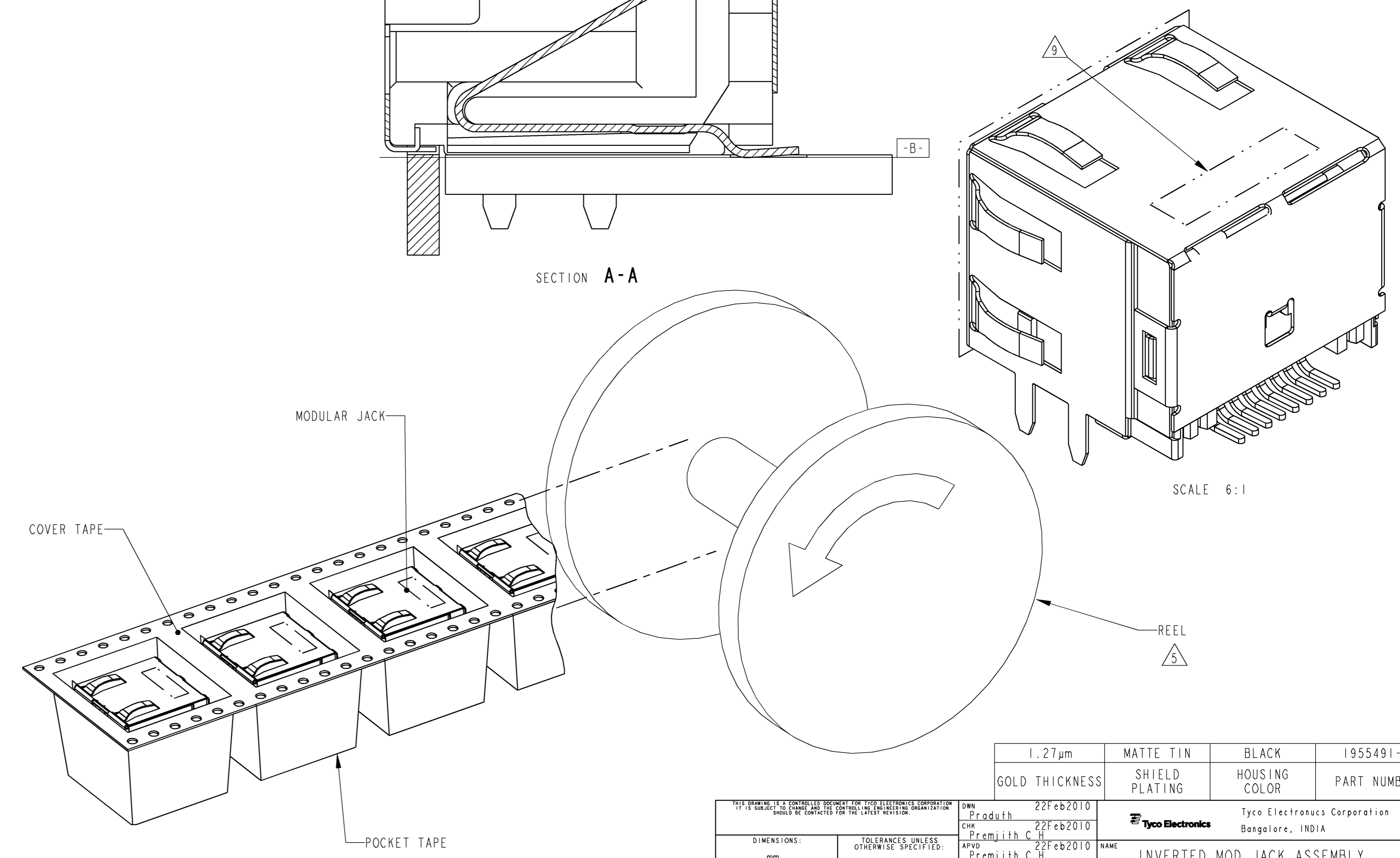
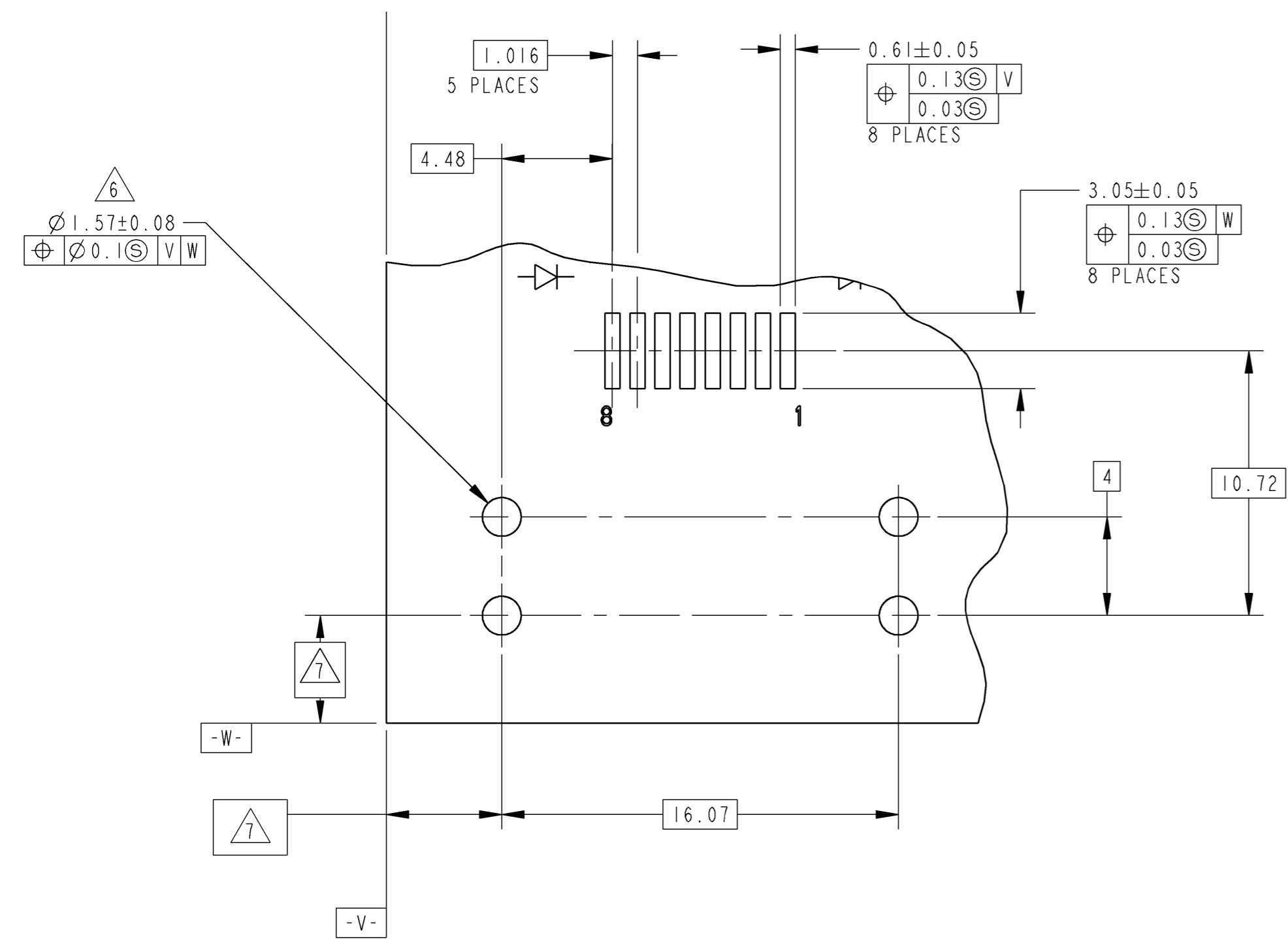


LOC	DIST	REV	DESCRIPTION	DATE	OWN	APVD
FK	-	A	Initial Release	22Feb2010	PS	PCH
-	-	-	-	-	-	-
-	-	-	-	-	-	-



- MATERIAL:
 HOUSING - HIGH TEMP. THERMOPLASTIC, COLOR: SEE TABLE, UL94V-0.
 TERMINALS - 0.30 THICK PHOS BRONZE PLATED WITH 2.03µm MIN THICK MATTE TIN IN SOLDER AREA.
 GOLD (SEE TABLE) IN LOCALIZED PLATE AREA OVER 1.27µm MIN THICK NICKEL SHIELD - (SEE TABLE) 0.196 THK BRASS PREPLATED WITH 2.03µm-3.81µm THICK MATTE TIN OVER 0.76µm-2.03µm NICKEL UNDERPLATE, OR 0.76-2.03µm NICKEL WITH SELECTIVE TIN PLATED SOLDER TABS
 - JACK CAVITY CONFORMS TO FCC RULES AND REGULATIONS PART 68, SUBPART F.
- 3 SUGGESTED PANEL OPENING DIMENSIONS. SEE APPLICATION SPEC. 114-2154 FOR PANEL THICKNESS AND POSITION RECOMMENDATIONS
- 4 SUGGESTED CLEARANCE BETWEEN TOP OF CONNECTOR AND TOP PANEL OPENING
- 5 PACKAGED: POCKET TAPE & REEL (PER EIA 481 SPECIFICATIONS)
- POCKET TAPE WIDTH - 56mm
 POCKET PITCH - 28mm
 POCKET DEPTH - 19mm
- CLEAR COVER TAPE, PSA
 CLEAR COVER TAPE TRAILER - 1220mm, WRAPPED ON REEL HUB
- PLASTIC REEL - 380mm DIAMETER
 PRODUCT QUANTITY - 180 PIECES PER REEL
- 6 ZERO INSERTION FORCE POST WITH RECOMMENDED PCB LAYOUT
- 7 DATUM ESTABLISHED BY CUSTOMER.
- 8 CONNECTOR SHOULD BE POSITIONED THRU PANEL CUTOUT AS SHOWN TO SUPPORT TOP OF MODULAR JACK FOR STRAIN RELIEF.
- 9 MANUFACTURING DATE CODE LOCATED APPROXIMATELY AS SHOWN. FIRST 2 DIGITS ARE YEAR, SECOND 2 DIGITS ARE WORK WEEK, LAST DIGIT IS THE DAY OF THE WEEK



1.27µm	MATTE TIN	BLACK	1955491-1
GOLD THICKNESS	SHIELD PLATING	HOUSING COLOR	PART NUMBER
DIMENSIONS:		TOLERANCES UNLESS OTHERWISE SPECIFIED:	
mm	0 PLC ±	1 PLC ±	2.5
	3 PLC ±	4 PLC ±	
	ANGLES	FINISH	SEE NOTE 1
MATERIAL	SEE NOTE 1	WEIGHT	
CUSTOMER DRAWING		SCALE	8:1

OWN	22Feb2010	NAME	INVERTED MOD JACK ASSEMBLY, SHIELDED SMT, THRU HOLE SHIELD TABS 8 POSITION RJ45
CHK	Praduth	DATE	22Feb2010
APVD	Premiith C H	SIZE	114-6040
PRODUCT SPEC	108-1163-7	CAGE CODE	00779
APPLICATION SPEC	114-6040	DRAWING NO	1955491
RESTRICTED TO		SHEET	1 OF 1

单击下面可查看定价，库存，交付和生命周期等信息

[>>TE Connectivity\(泰科\)](#)