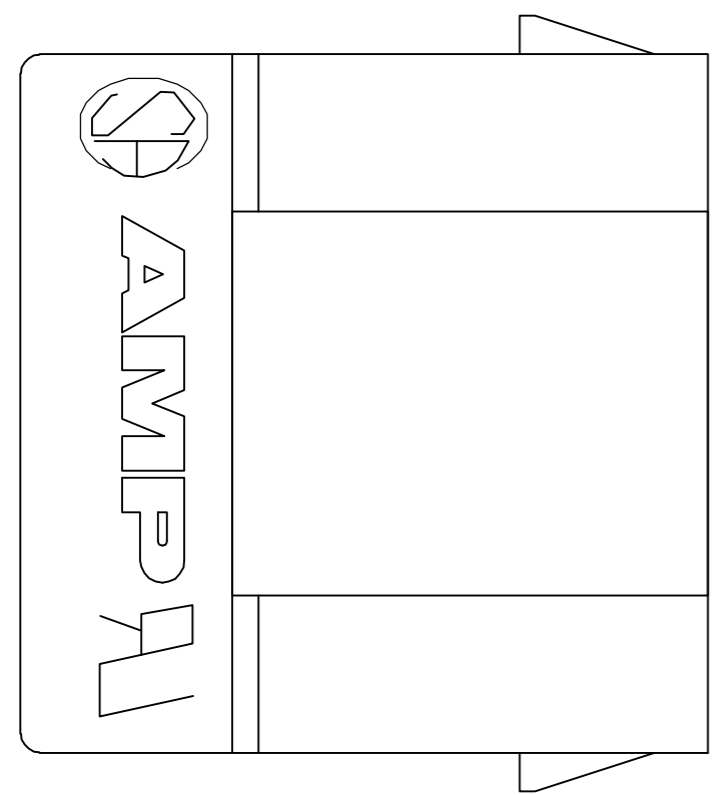
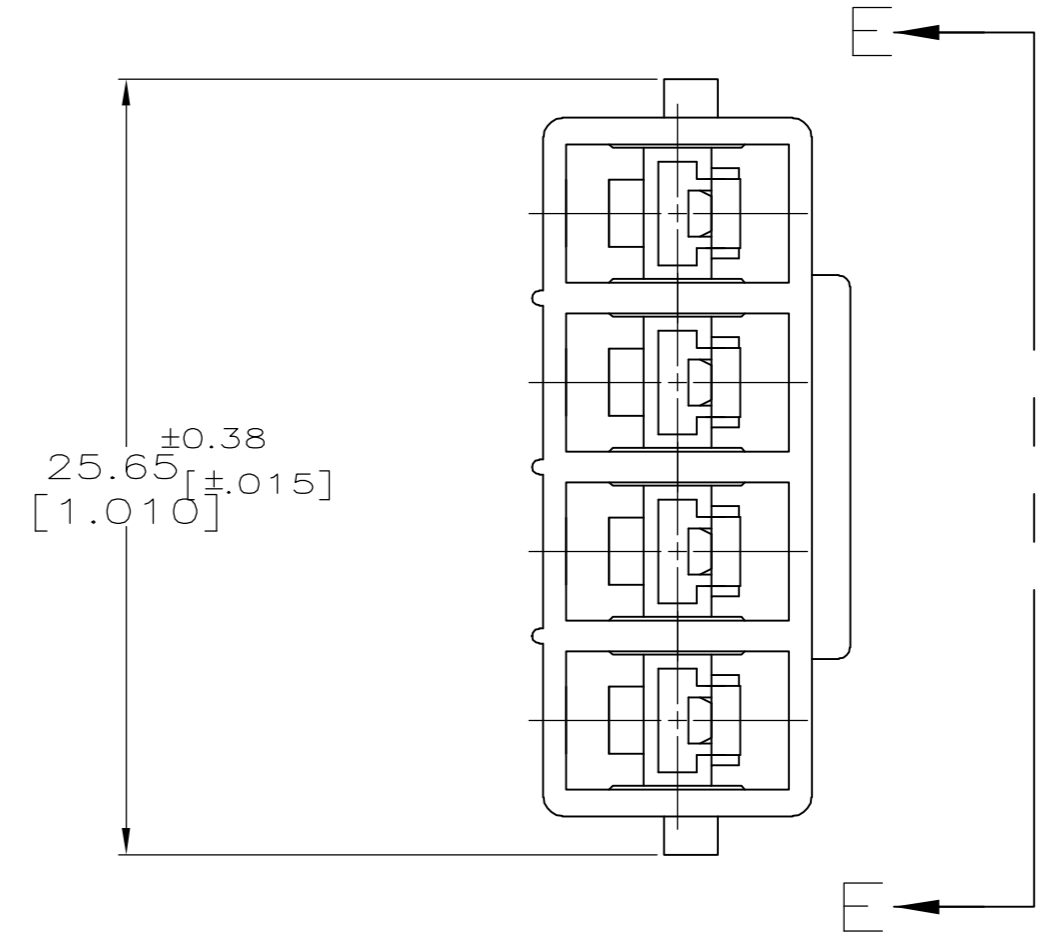
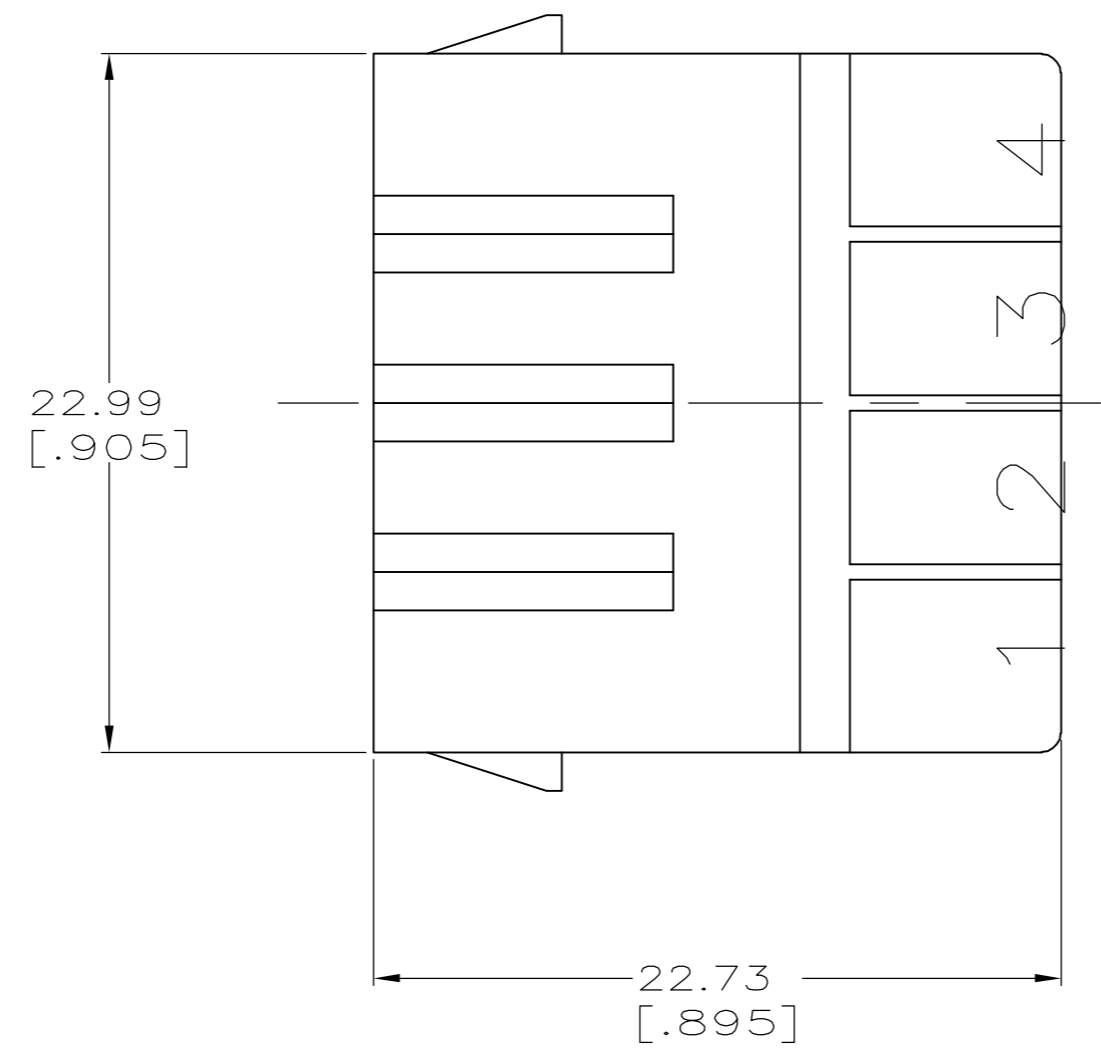
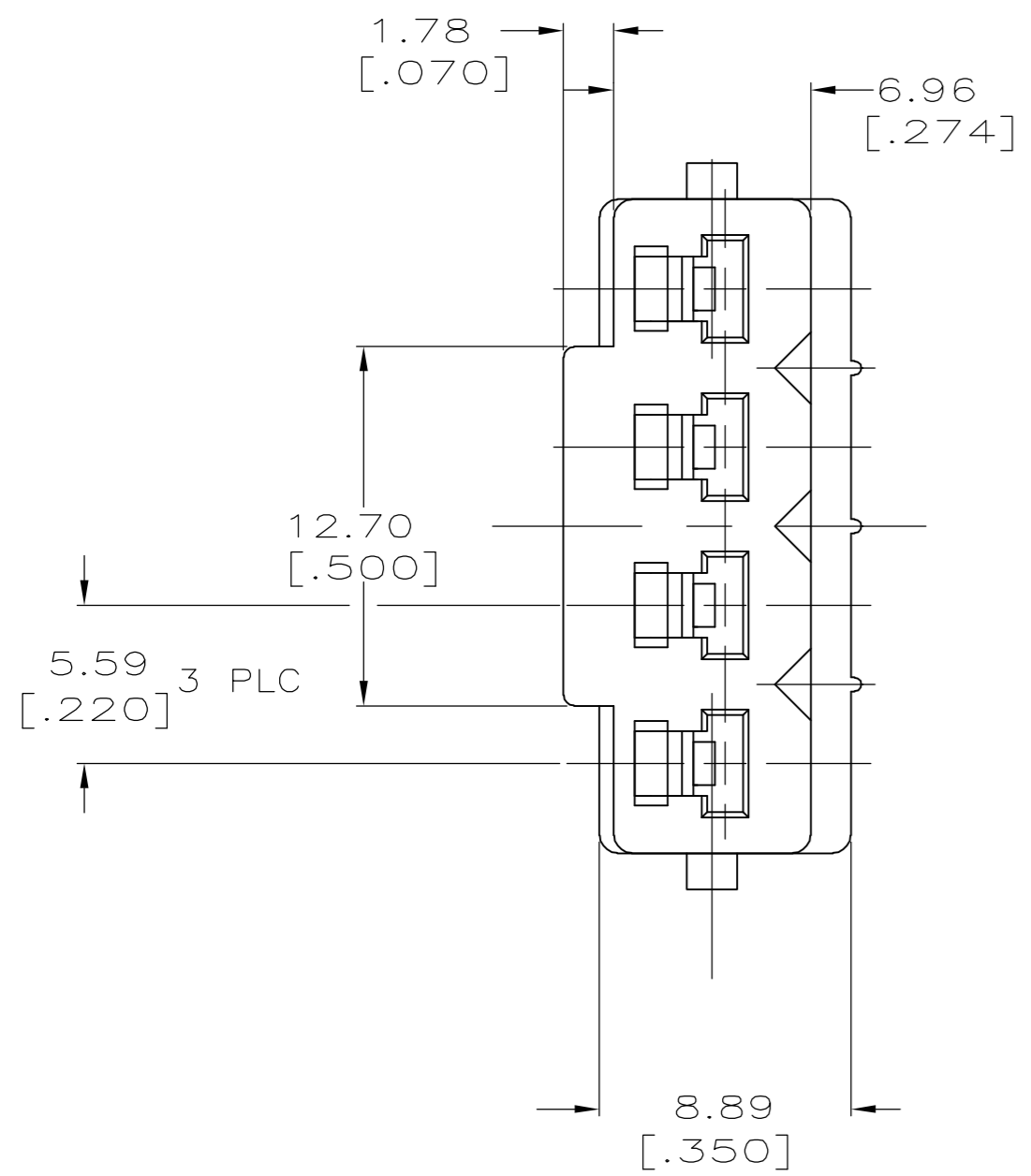
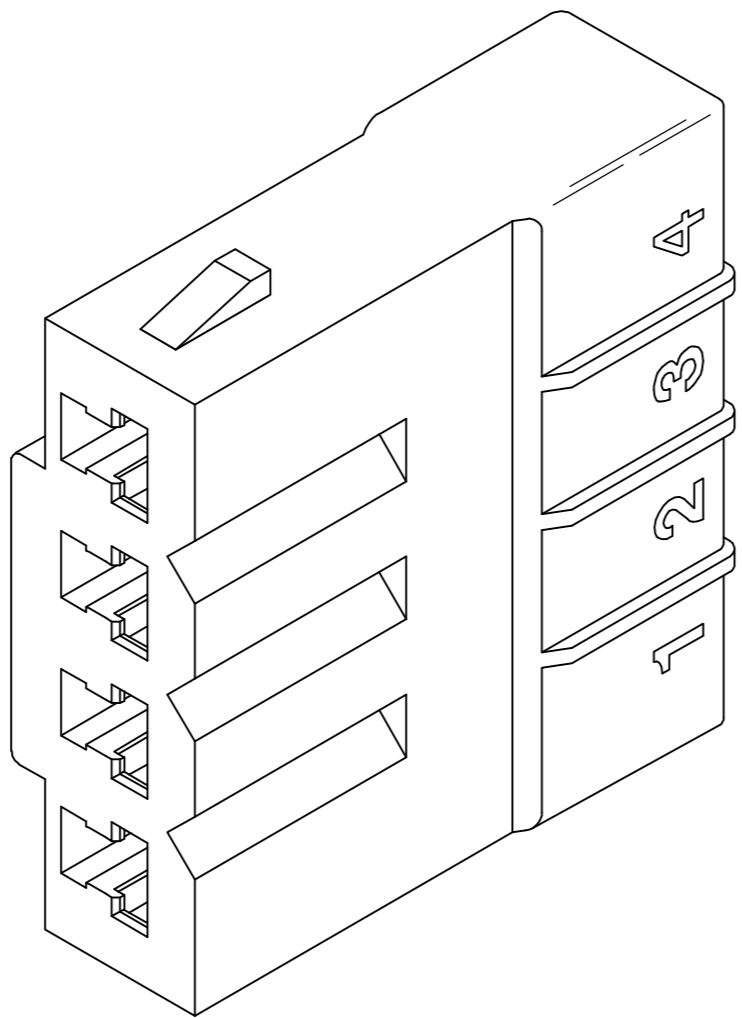


THIS DRAWING IS UNPUBLISHED. RELEASED FOR PUBLICATION
 © COPYRIGHT BY TYCO ELECTRONICS CORPORATION. ALL RIGHTS RESERVED.

| LOC | DIST | REVISIONS | | | | | |
|-----|------|-----------|-----|----------------------------------|---------|-----|------|
| AF | 50 | P | LTR | DESCRIPTION | DATE | DWN | APVD |
| | | E | | REACTIVATED -2 PER ECR-07-006169 | 20MAR07 | MF | JK |



VIEW E-E



3-DIMENSIONAL VIEW NTS

- 1 PART ACCEPTS RECEPTACLE CONTACT PART NO 770642-1
- 2 PART MATES WITH .125 BLADE CAP PART NO 521048-1.
- 3 THIS MATERIAL HAS A 130C ELECTRICAL TEMPERATURE INDEX RATING BY U.L. AND 94 V-2 FLAMMABILITY RATING.
- 4 THIS MATERIAL HAS A 125C ELECTRICAL TEMPERATURE INDEX RATING BY U.L. AND 94 V-2 FLAMMABILITY RATING.

| | | | |
|----------|---------|-----------|----------|
| | NATURAL | NYLON 6/6 | 521047-2 |
| OBSOLETE | BLACK | PBT | 521047-1 |
| | COLOR | MATERIAL | PART NO |

| | | | | |
|---|--|-----------------------|---|-----------------|
| THIS DRAWING IS A CONTROLLED DOCUMENT. | | DWN P FORTNEY 11/8/93 | Tyco Electronics Corporation Harrisburg, PA 17105-3608 | |
| DIMENSIONS: INCHES | | CHK JR RUTH 11/8/93 | | |
| TOLERANCES UNLESS OTHERWISE SPECIFIED: | | APVD R KUZO 11/8/93 | NAME | |
| 0 PLC ± - 1 PLC ± - 2 PLC ± 0.25 [.010] 3 PLC ± - 4 PLC ± - ANGLES ± - FINISH SEE TABLE | | PRODUCT SPEC | PLUG,4 CIRCUIT, 3.18 [.125] BLADE | |
| MATERIAL SEE TABLE | | APPLICATION SPEC | SIZE A2 | CAGE CODE 00779 |
| | | WEIGHT - | DRAWING NO C=521047 | RESTRICTED TO - |
| | | CUSTOMER DRAWING | SCALE 4:1 | SHEET 1 OF 1 |
| | | | REV E | |

单击下面可查看定价，库存，交付和生命周期等信息

[>>TE Connectivity\(泰科\)](#)