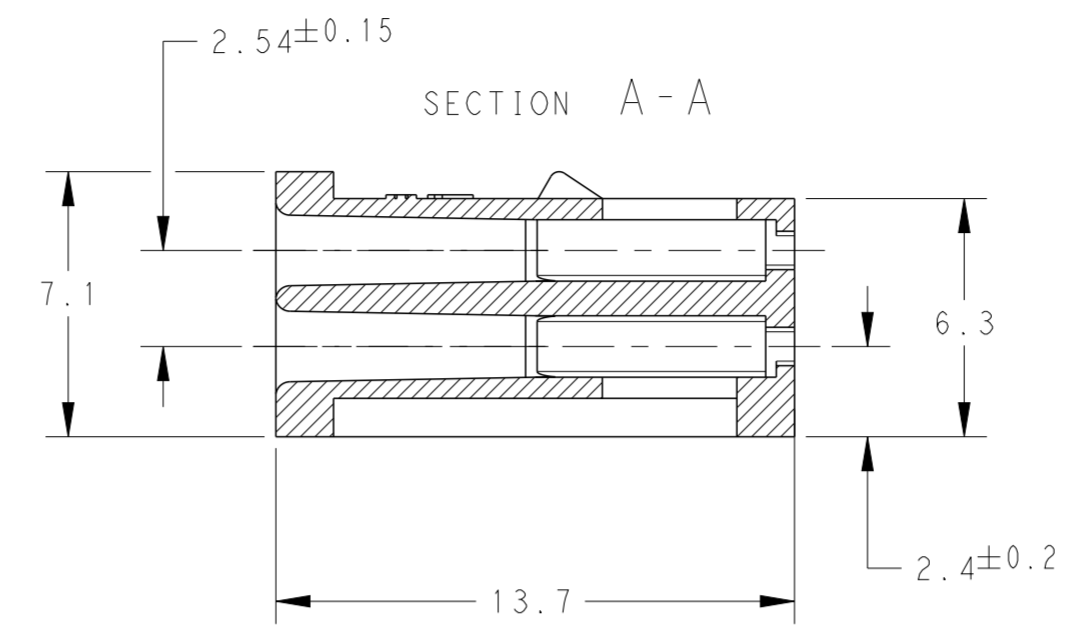
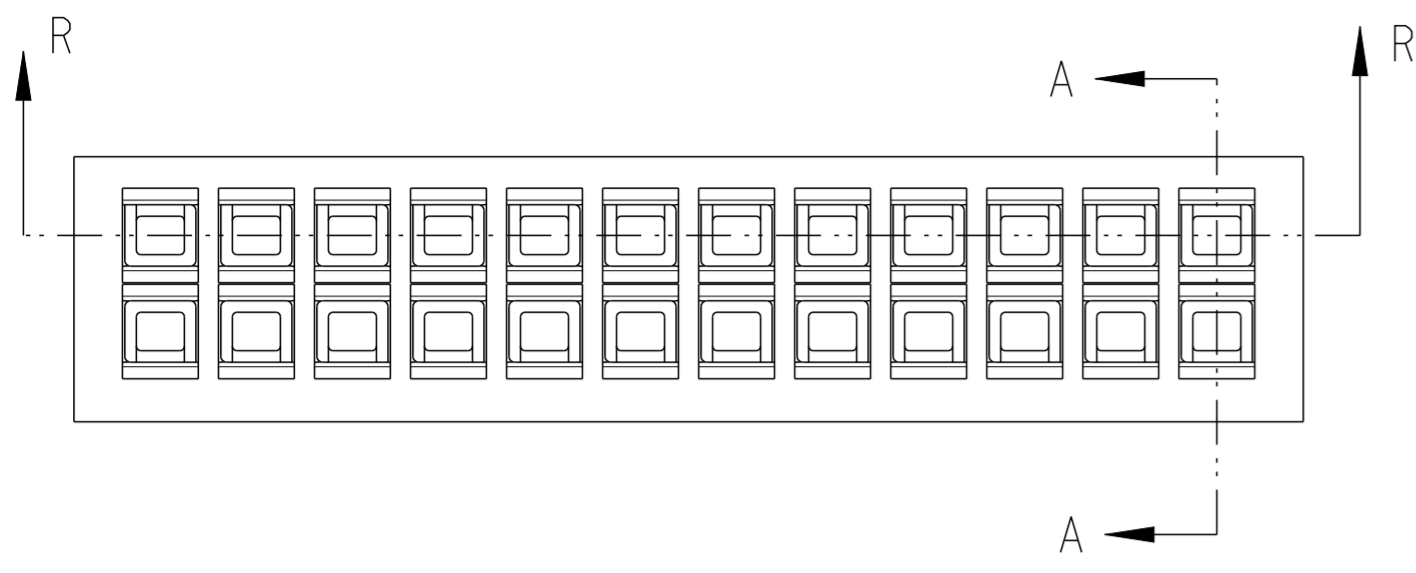
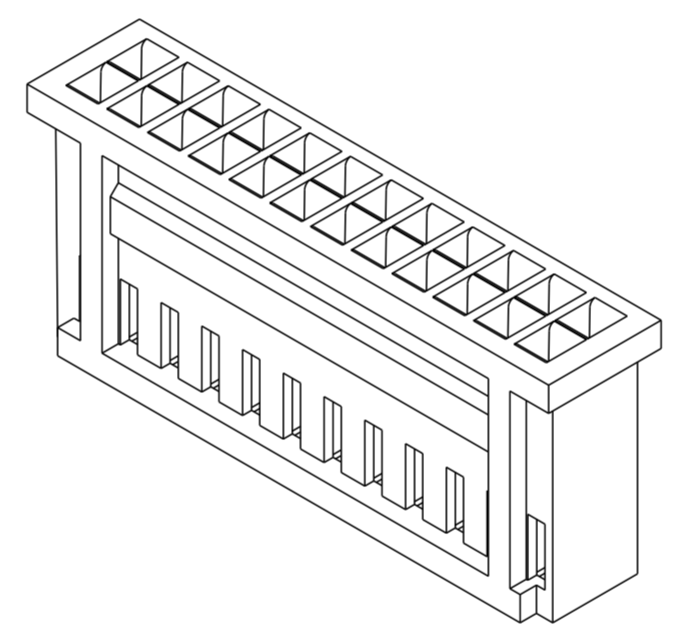
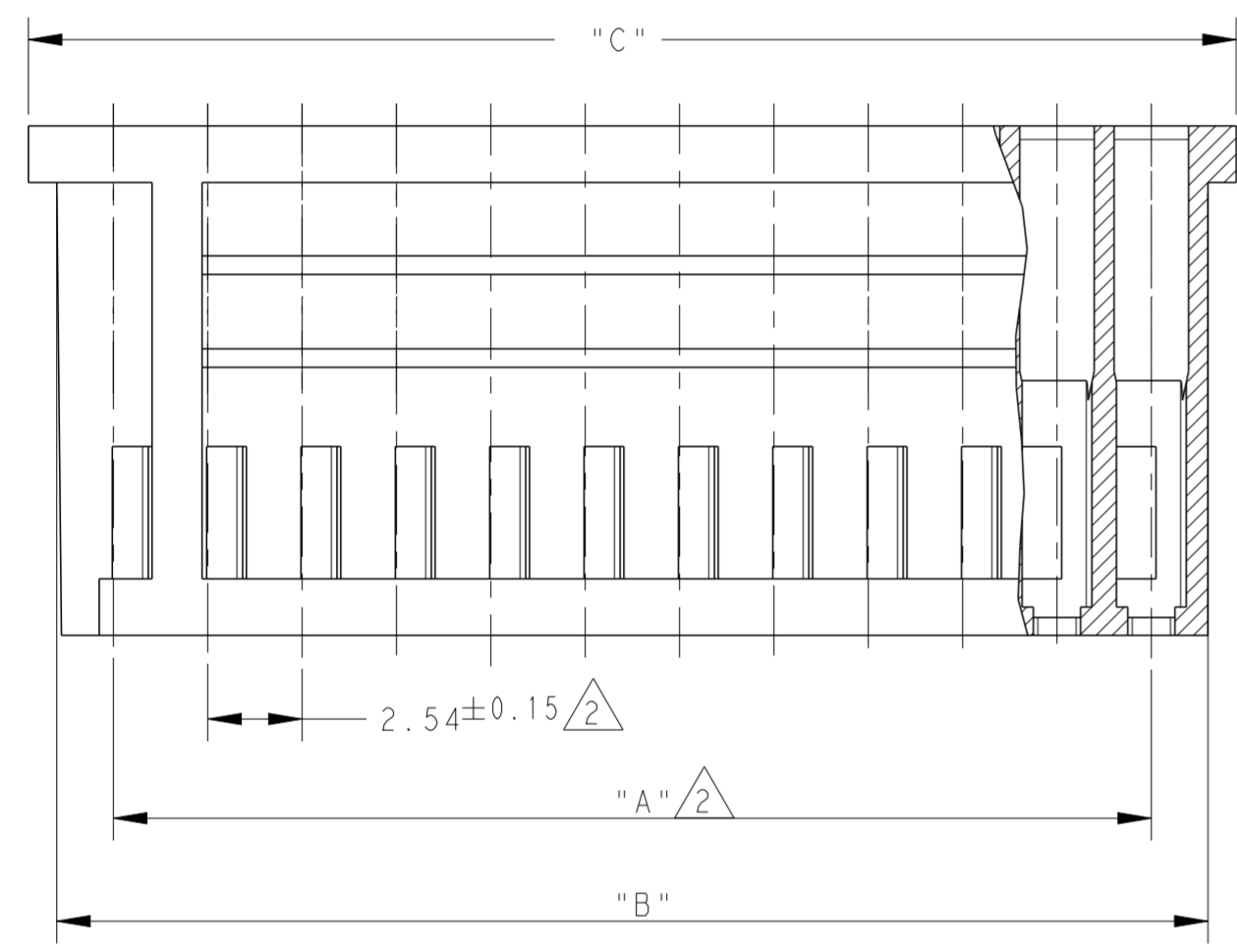


THIS DRAWING IS UNPUBLISHED. RELEASED FOR PUBLICATION
 © COPYRIGHT copyright.dBTe- ALL RIGHTS RESERVED.

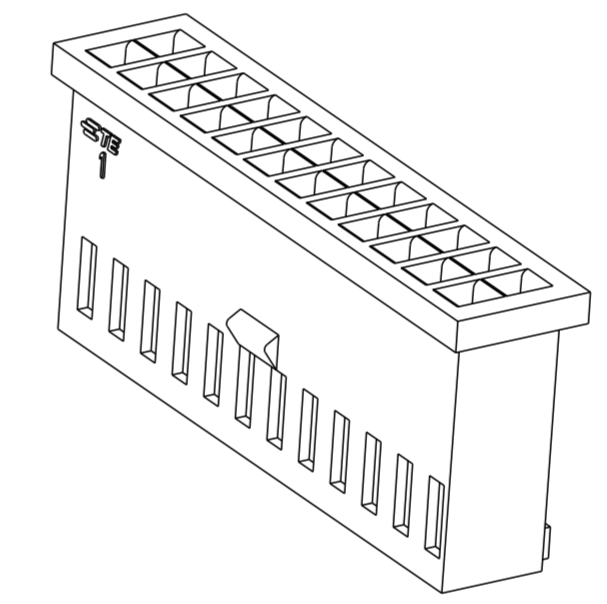
| REVISIONS | | | | |
|-----------|-----|--|-----------|--------|
| P | LTR | DESCRIPTION | DATE | APVD |
| AA | | MATERIAL CHANGE TO LCP. NEW HORIZONTAL RIB FEATURE ADDED | 17OCT2018 | KJK PS |
| | | | | |
| | | | | |



SECTION R-R

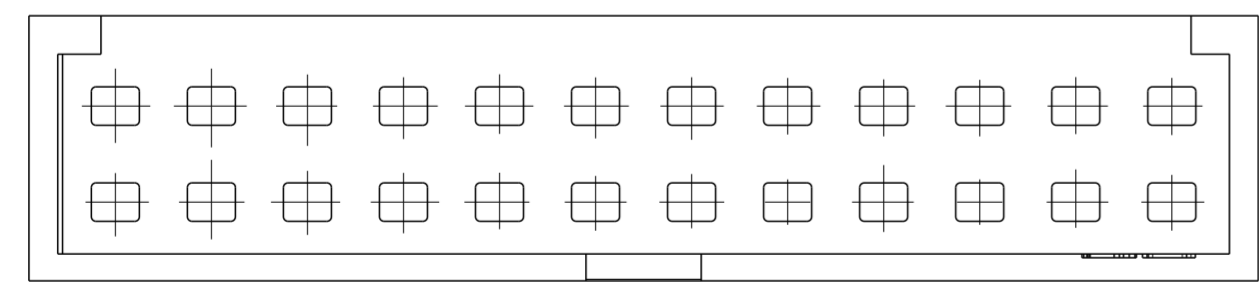


SCALE 3:1



SCALE 3:1

- NOTES:
- 1 LCP, BLACK, UL94V-0
 - 2 TOLERANCE NOT CUMULATIVE



| NUM OF POS | PART NUMBER | DIM "A" | DIM "B" | DIM "C" | MATERIAL |
|------------|-------------|---------|---------|---------|----------|
| 22 | 280369 | 53.34 | 56.40 | 57.90 | |
| 18 | 281018 | 43.18 | 46.20 | 47.80 | |
| 15 | 280368 | 35.56 | 38.60 | 40.10 | |
| 12 | 280515 | 27.94 | 31.00 | 32.50 | |
| 9 | 280513 | 20.32 | 23.30 | 24.90 | |
| 8 | 280366 | 17.78 | 20.80 | 22.30 | |
| 6 | 282792-1 | 12.70 | 15.70 | 17.20 | |
| 5 | 284123-1 | 10.16 | 13.20 | 14.70 | |
| 4 | 280365 | 7.62 | 10.60 | 12.20 | |

THIS DRAWING IS A CONTROLLED DOCUMENT.

| | | | | |
|-------------|--|------------------|-------------|----------------------------------|
| DIMENSIONS: | TOLERANCES UNLESS OTHERWISE SPECIFIED: | DWN | 17OCT2018 | TE Connectivity |
| mm | 0 PLC ±0.3 | CHK | 17OCT2018 | |
| | 1 PLC ± | APVD | 17OCT2018 | |
| | 2 PLC ± | PRASHANTH S | PRASHANTH S | |
| MATERIAL | 3 PLC ± | PRODUCT SPEC | 108-20025 | NAME |
| - | 4 PLC ± | APPLICATION SPEC | 114-20004 | AMPMODU MOD. II |
| - | ANGLES ±2° | WEIGHT | - | DOUBLE ROW, REC. CONTACT HOUSING |
| - | FINISH | CUSTOMER DRAWING | SCALE 5:1 | CRIMP SNAP-IN |
| | | SIZE | A2 | RESTRICTED TO |
| | | CAGE CODE | 00779 | - |
| | | DRAWING NO | G-280365 | REV |
| | | SCALE | 5:1 | AA |
| | | SHEET | 1 OF 1 | |

单击下面可查看定价，库存，交付和生命周期等信息

[>>TE Connectivity\(泰科\)](#)