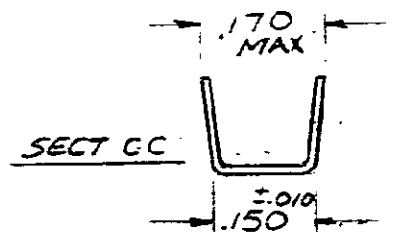
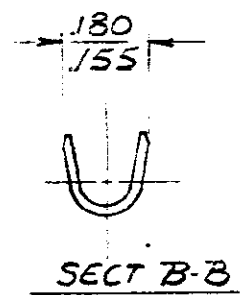
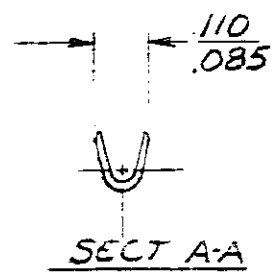
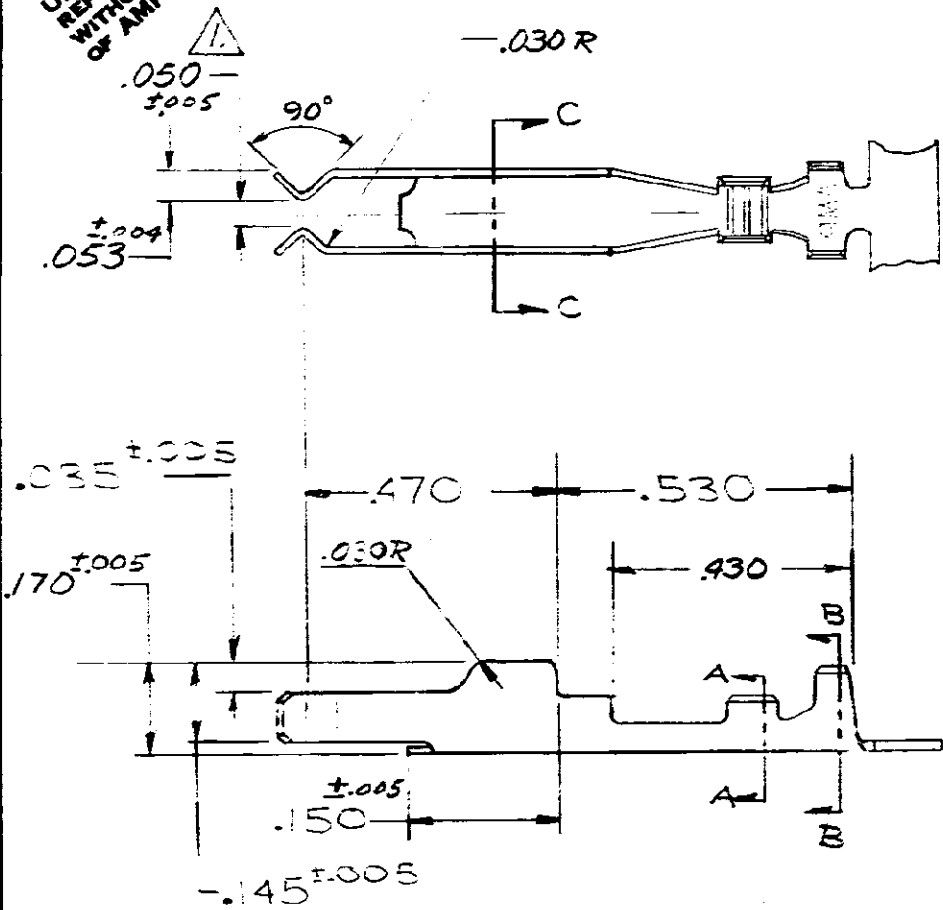


© COPYRIGHT 1977 BY AMP INCORPORATED, HARRISBURG, PA. ALL INTERNATIONAL RIGHTS RESERVED. AMP INCORPORATED PRODUCTS COVERED BY U.S. AND FOREIGN PATENTS OR PATENTS PENDING.


UNPUBLISHED COPY REPRODUCED WITHOUT WRITTEN PERMISSION OF AMP INCORPORATED

REVISIONS			
LTR	DESCRIPTION	DATE	APPROVED
A	REVISED	11-8-77	WSD/RS.
B	ADDED SECT CC A-3848	1-26-78	GL
C	RELEASED P.A.R.	3/6/78	GL
D	REVISED A. 4431	4/3/77	GL
E	.053 WAS .050 A47	4-17-80	D.S.



⚠ .050 ± .005 TO BE HELD WHEN .170 MAX IS CLOSED TO .150 ± .010

CONTINUOUS STRIP ON REELS	.074-.130	22-18	62622-1
	INSUL RANGE	WIRE RANGE	PART NO

UNLESS OTHERWISE SPECIFIED DIMENSIONS ARE IN INCHES. TOLERANCES ON: DECIMALS ± .015 ANGLES ± 1° 0'	CONTRACT NO	 AMP INCORPORATED Harrisburg, Pa.
	DR <i>G YETTER 4/11/77</i>	
MATERIAL .014 BRASS	CHK <i>Shaw 4/11/77</i>	NAME LAMP CONTACT
	APPD <i>Swartz 4/11/77</i>	
FINISH NONE	DSGN APPD	SIZE A
	OTHER APPD	CODE IDENT NO 00779
		DRAWING NO 62622
		SCALE
		SHEET

单击下面可查看定价，库存，交付和生命周期等信息

[>>TE Connectivity\(泰科\)](#)