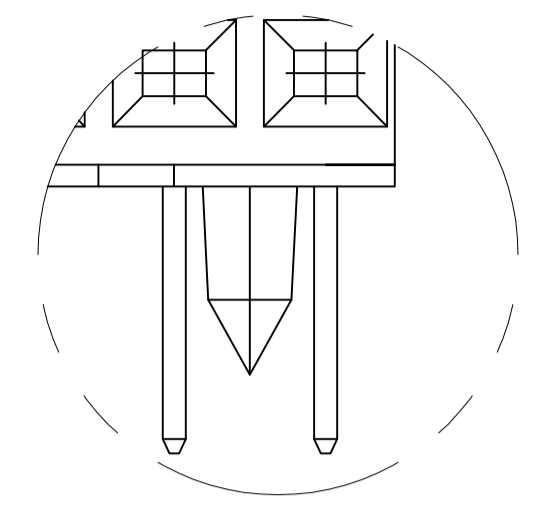
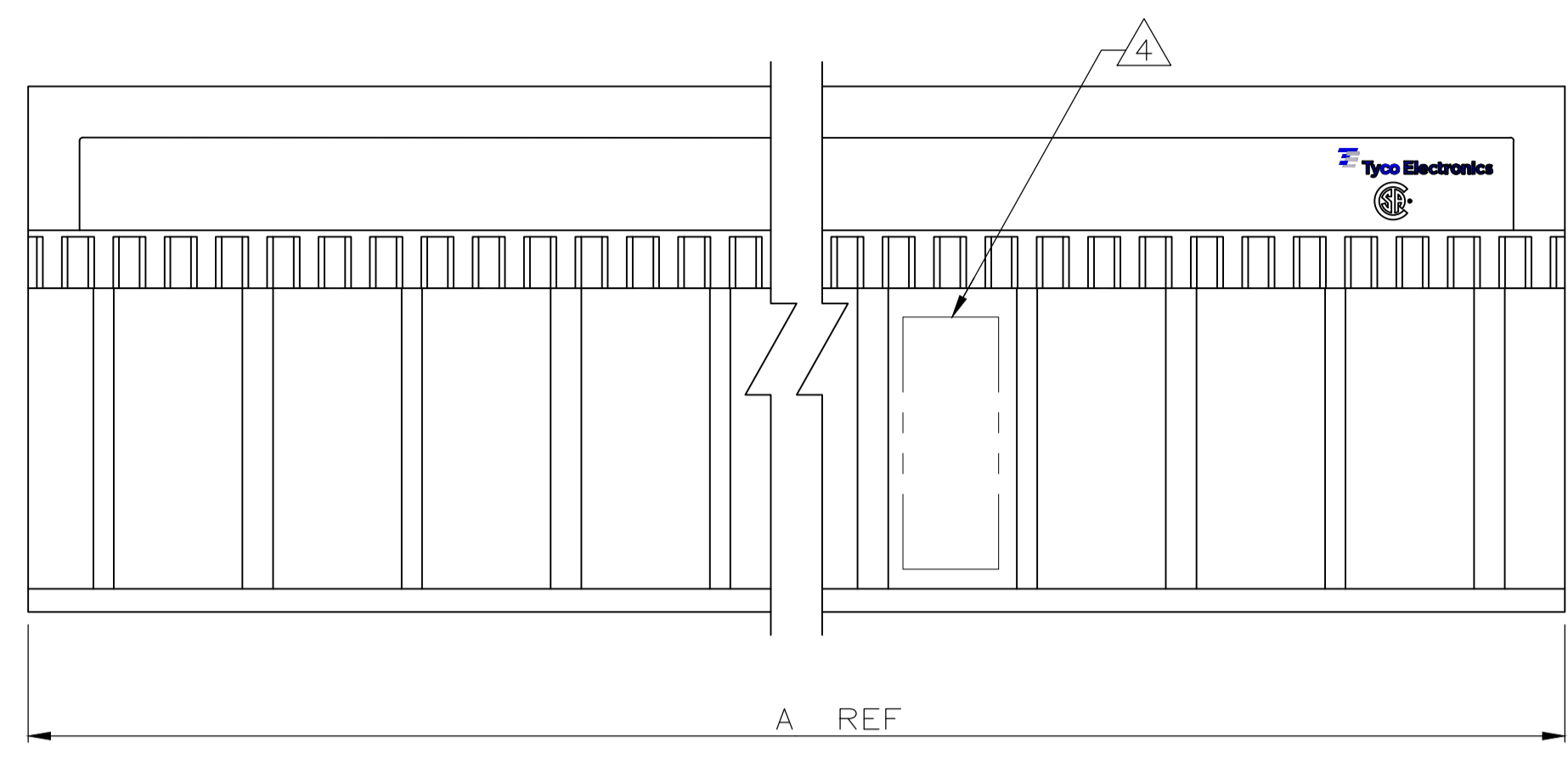
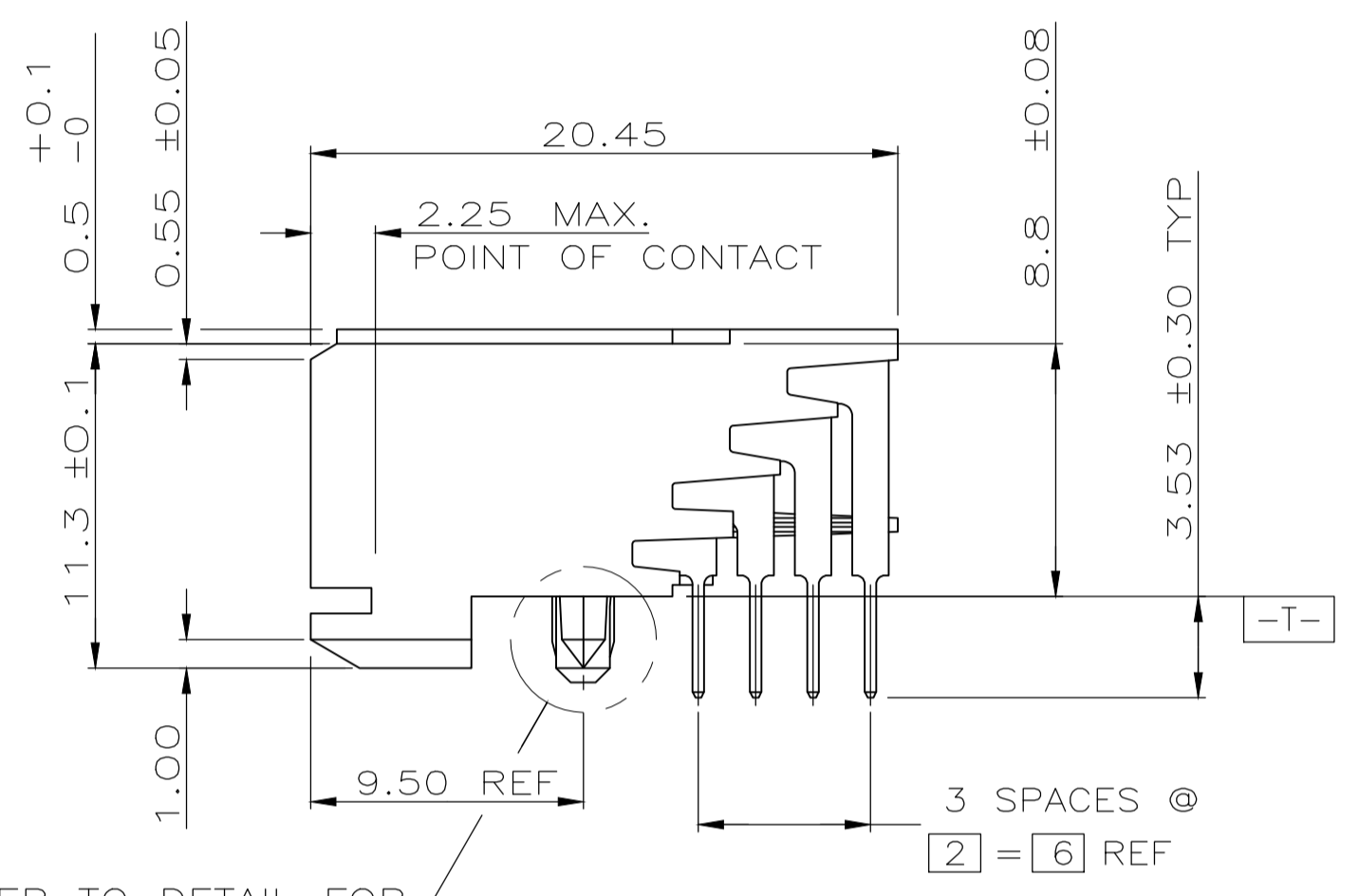
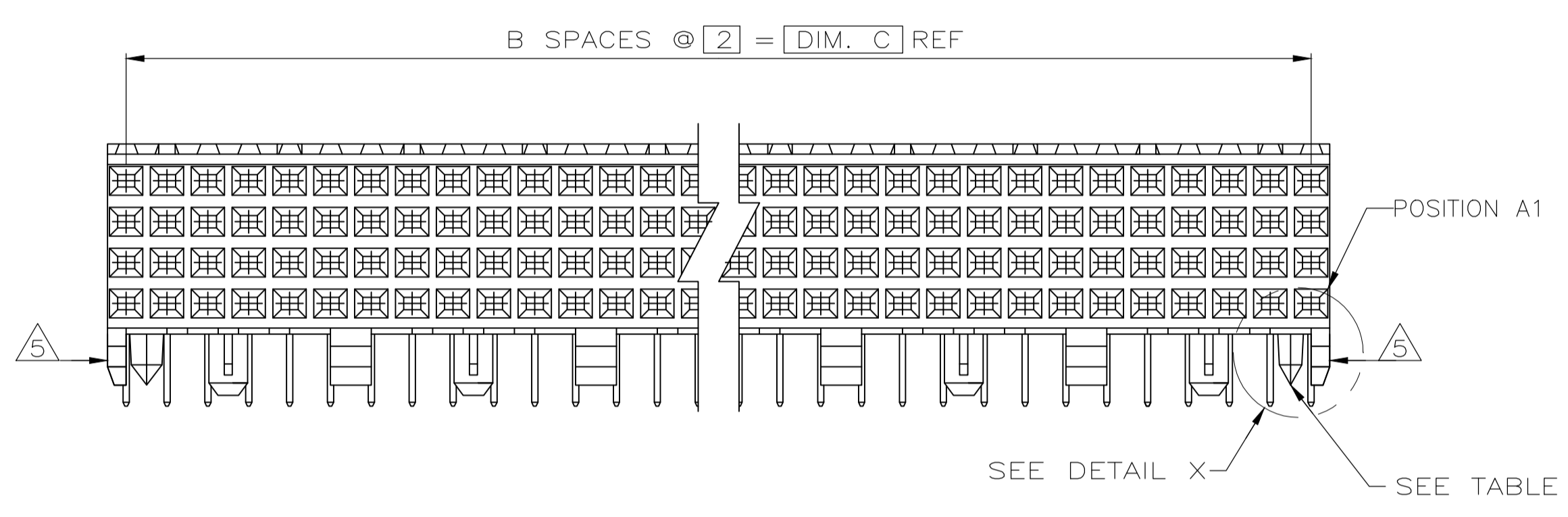


REVISIONS					
P	LTR	DESCRIPTION	DATE	DMN	APVD
AD4	REVISED PER	ECO-20-013368	24SEP2020	RZ	HL

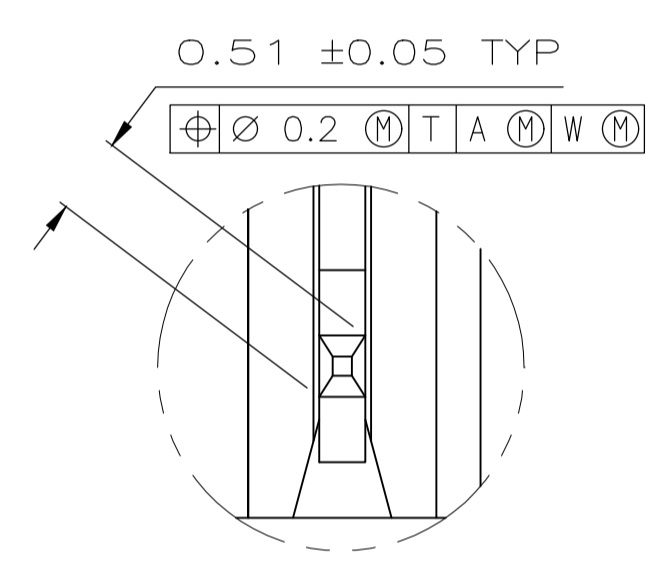


DETAIL X  
SCALE 10:1

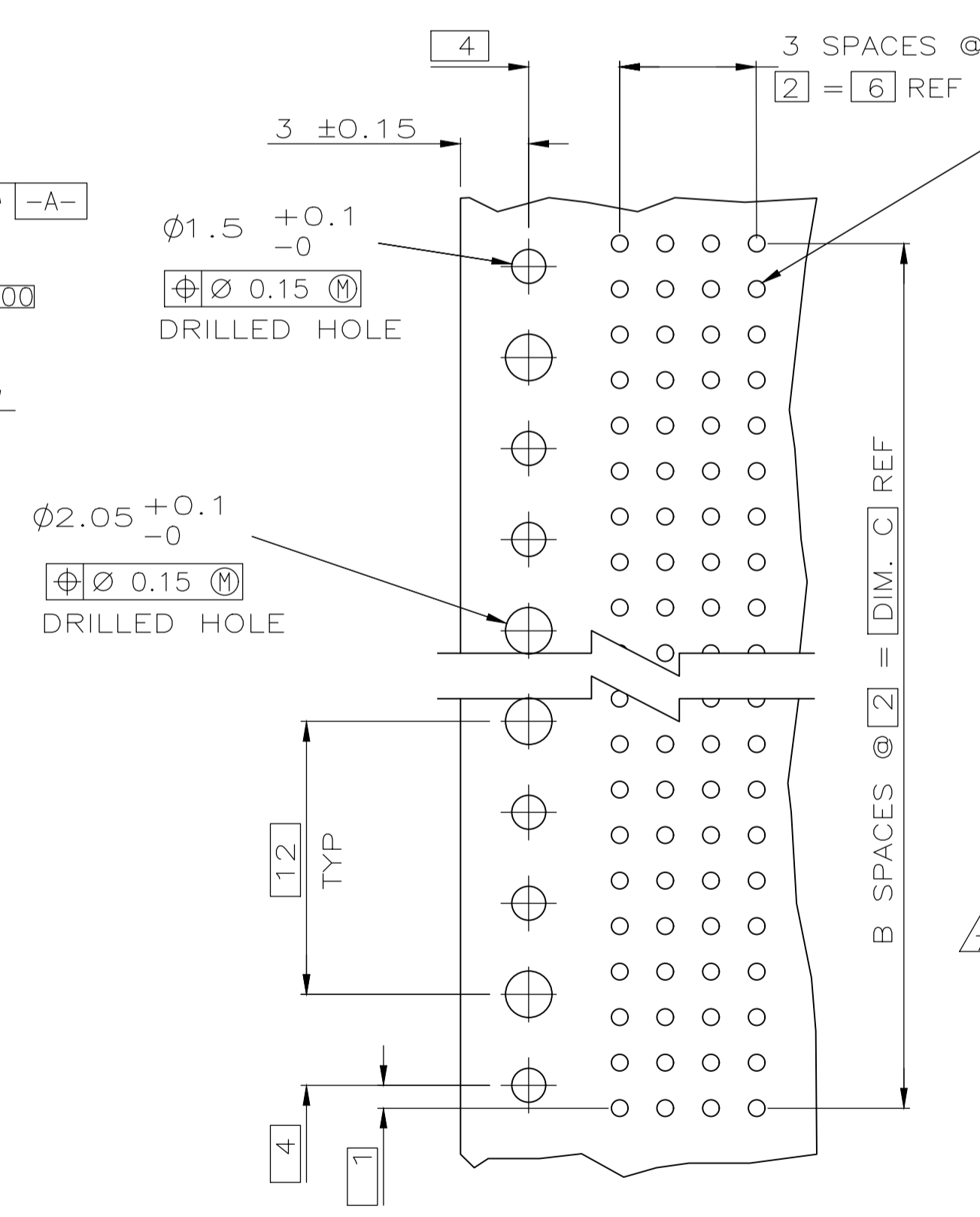
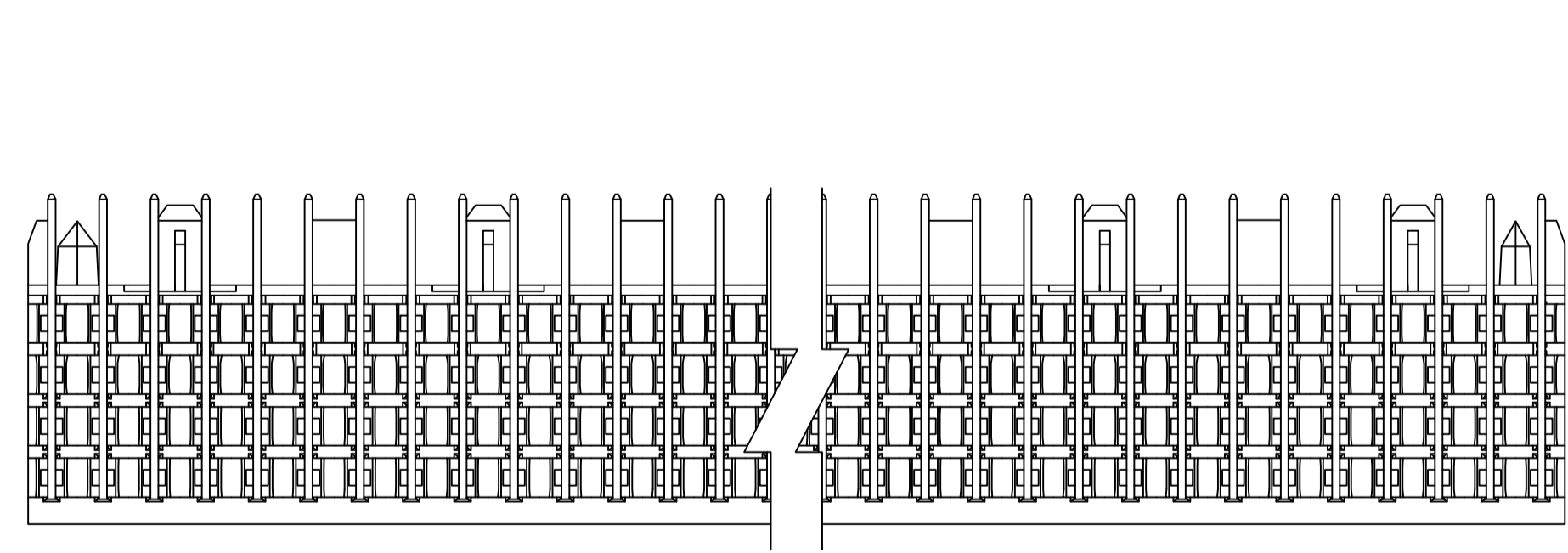
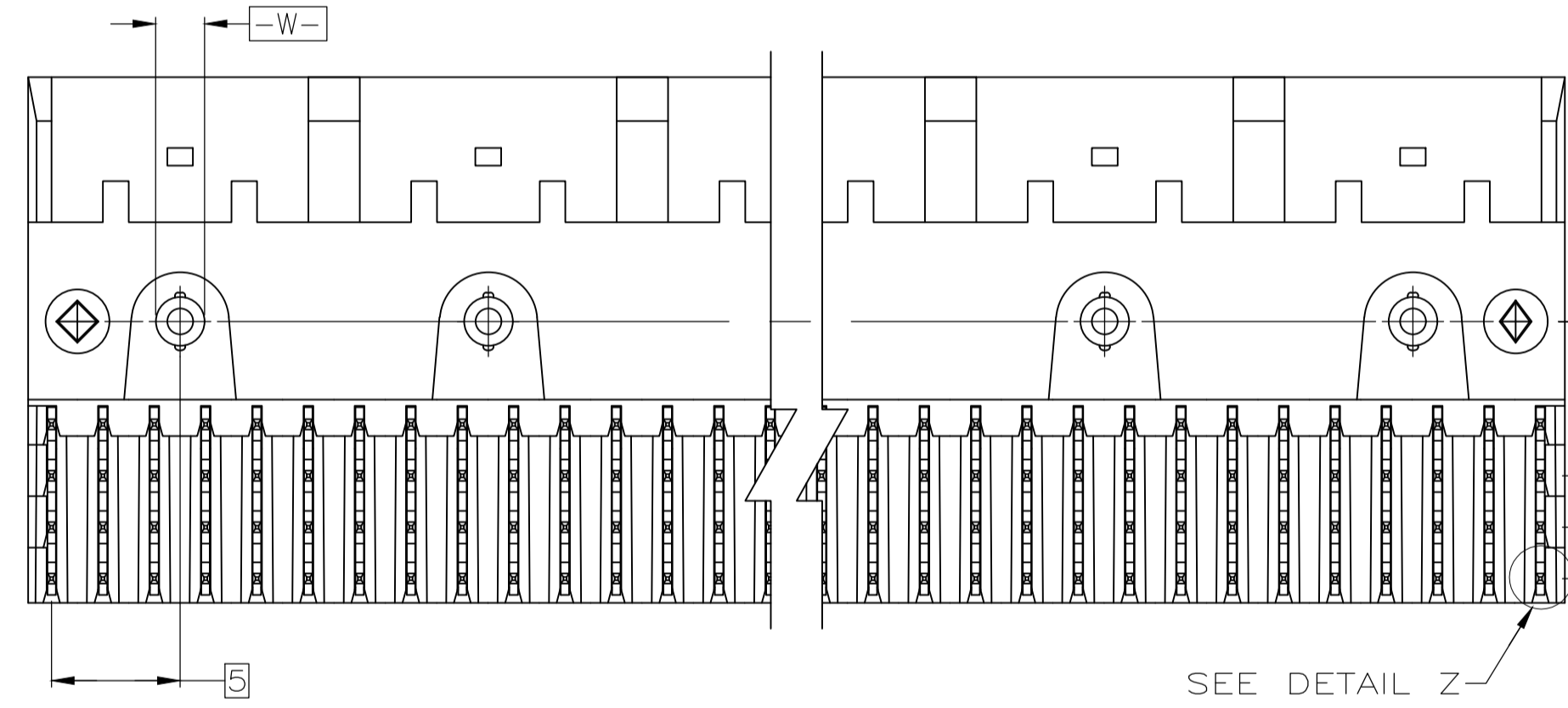
- 1 HOUSING MATERIAL: LIQUID CRYSTAL POLYMER.  
COLOR: NATURAL.
- 2 CONTACT MATERIAL: PHOSPHOR-BRONZE.
- 3 CONTACT FINISH:  
UNDERPLATE (ENTIRE CONTACT) -  
0.00127 MIN. NICKEL  
ON MATING SURFACES-  
CONFORMS TO ALL TESTING SPECIFIED FOR TELCORDIA  
UNCONTROLLED ENVIRONMENT  
ON LEADS-  
0.00381 MIN. TIN-LEAD, OVER UNDERPLATE  
LUBRICATION (ENTIRE CONTACT):  
SURFACE CONDITIONER PER TYCO SPEC 112-1002 AFTER PLATING.
- 4 PART MARKING PER AMP INCORPORATED SPECIFICATION 115-9009, LOCATED  
APPROXIMATELY AS SHOWN.
- 5 CUSTOMIZED PART, HOUSING MOLDED WITHOUT END GUIDE LUGS.
- 6 OBSOLETE PART NUMBER.
- 7 OBSOLETE PARTS: OBSOLETE CIS STREAMLINING PER D.RENAUD/D.SINISI



REFER TO DETAIL FOR  
COLD HOLD CONFIGURATION



DETAIL Z  
SCALE 20:1



RECOMMENDED CIRCUIT PATTERN  
PER IPC-D300 TYPE II, CLASS C  
(COMPONENT SIDE)

TYPICAL COLD HOLD  
FOR ALL ASSEMBLIES

OBSOLETE	YES	94	47	95.88	3	3	192	2-536510-4
OBSOLETE	YES	46	23	47.88	3	3	96	2-536510-3
5 6	NO	34	17	35.88	3	3	72	1-536510-5
5 6	NO	22	11	23.88	3	3	48	1-536510-4
5 6	NO	94	47	95.88	3	3	192	1-536510-3
5 6	NO	106	53	107.88	3	3	216	1-536510-2
5 6	NO	70	35	71.88	3	3	144	1-536510-1
7	NO	130	65	131.88	3	3	264	1-536510-0
OBSOLETE	NO	106	53	107.88	3	3	216	536510-9
7	NO	118	59	119.88	3	3	240	536510-8
OBSOLETE	NO	82	41	83.88	3	3	168	536510-7
	NO	58	29	59.88	3	3	120	536510-6
	NO	70	35	71.88	3	3	144	536510-5
	NO	94	47	95.88	3	3	192	536510-4
	NO	46	23	47.88	3	3	96	536510-3
	NO	22	11	23.88	3	3	48	536510-2
	YES	10	5	11.88	3	3	24	536510-1
POSITIONING PEGS	C	B	A	FINISH	NO OF POSN	PART NUMBER		

THIS DRAWING IS A CONTROLLED DOCUMENT.

TE Connectivity

RECEPTACLE ASSEMBLY, SIGNAL MODULE,  
Z-PACK 2mm FB, 4 ROW,  
3.53mm LEAD LENGTH

00779 C=536510

SCALE 4:1 SHEET 1 OF 1 REV AD4

单击下面可查看定价，库存，交付和生命周期等信息

[>>TE Connectivity\(泰科\)](#)