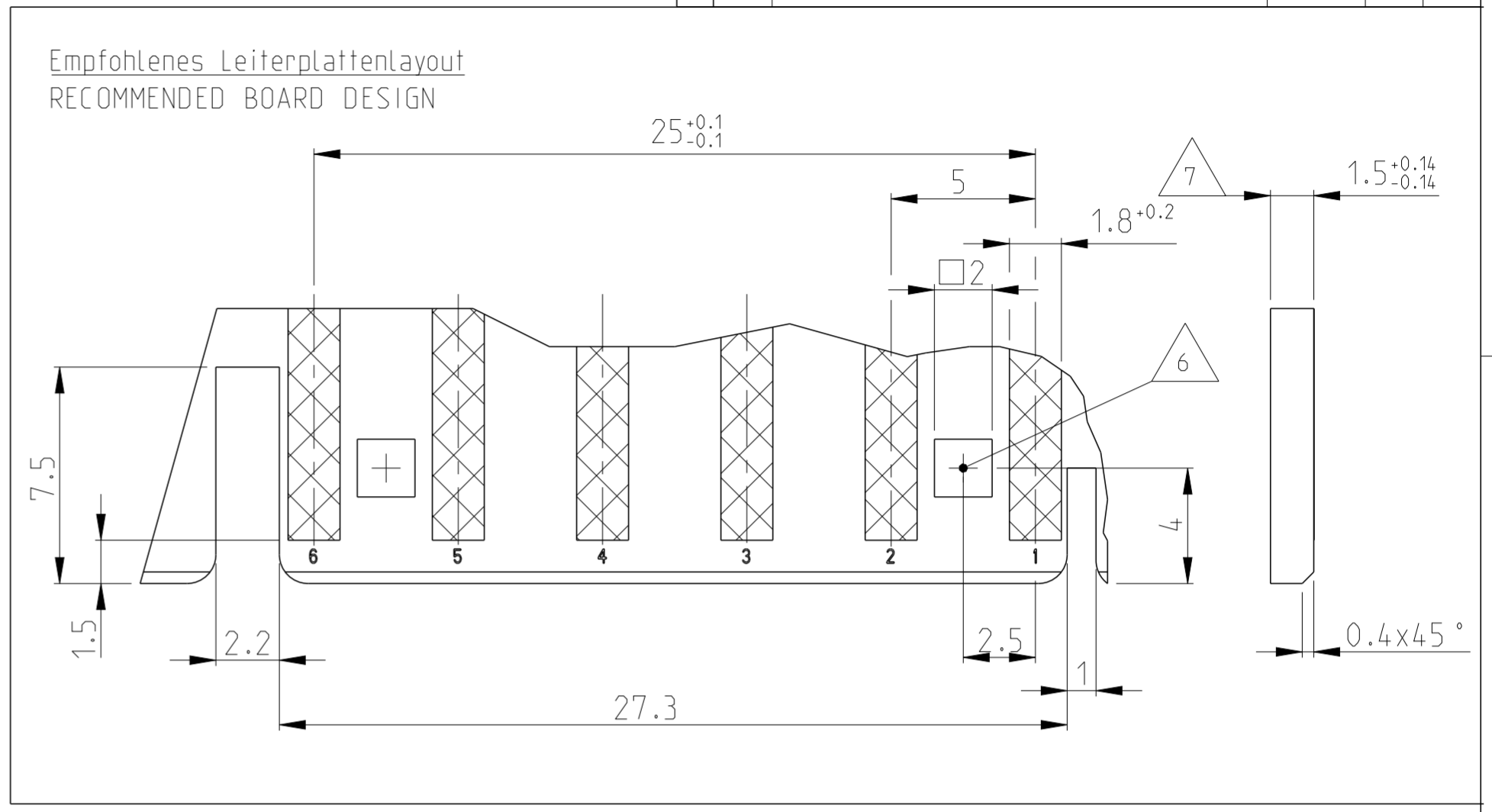
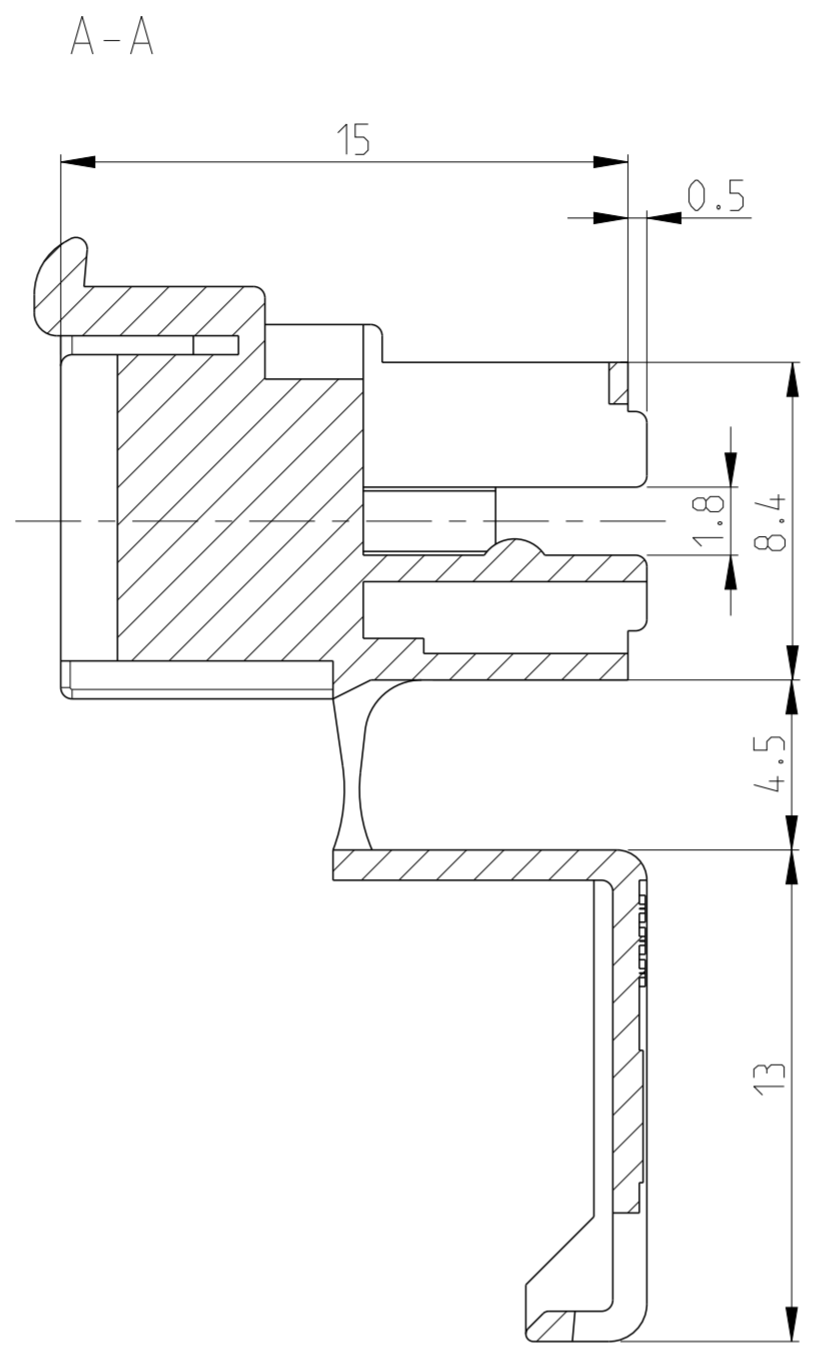
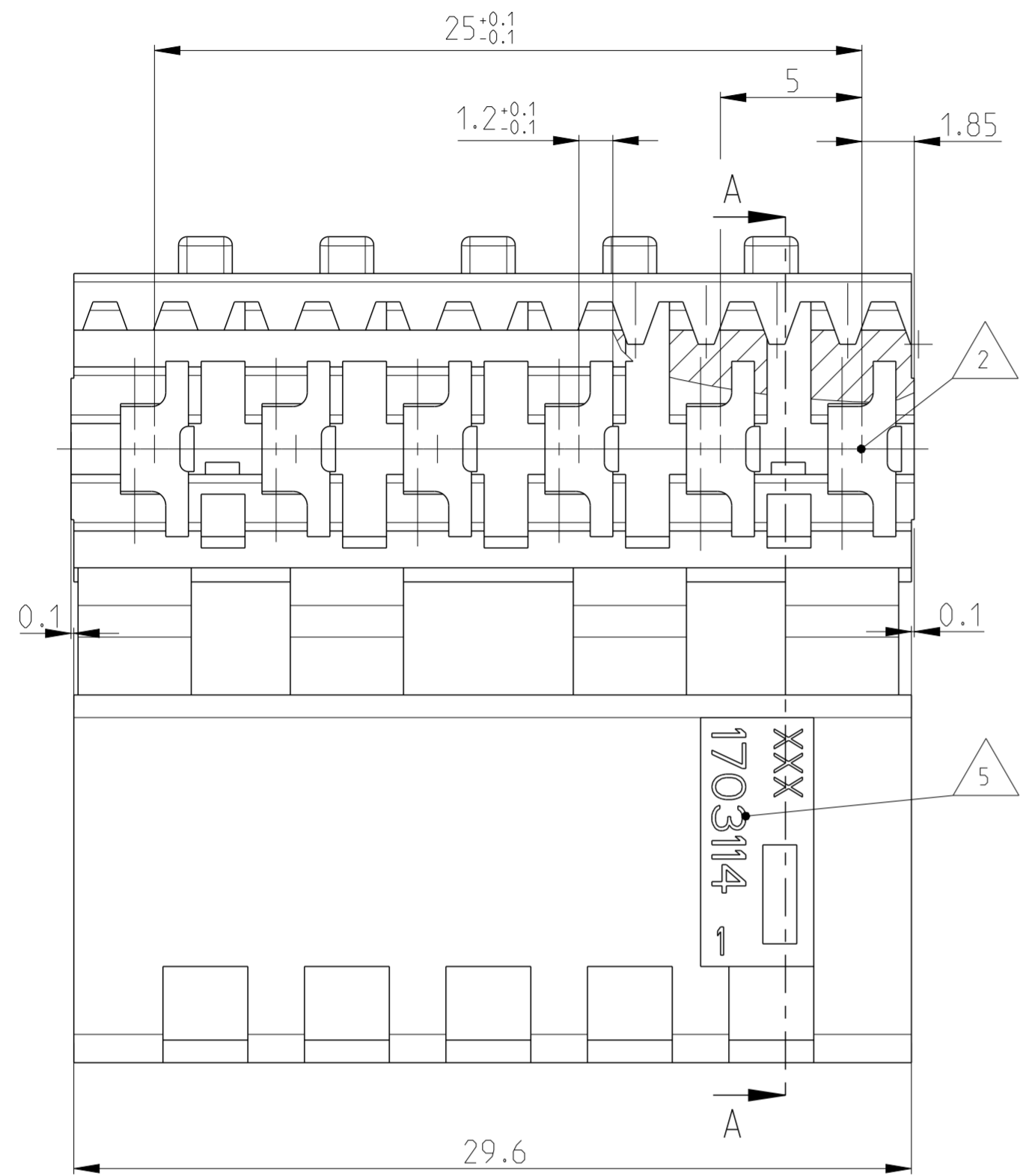


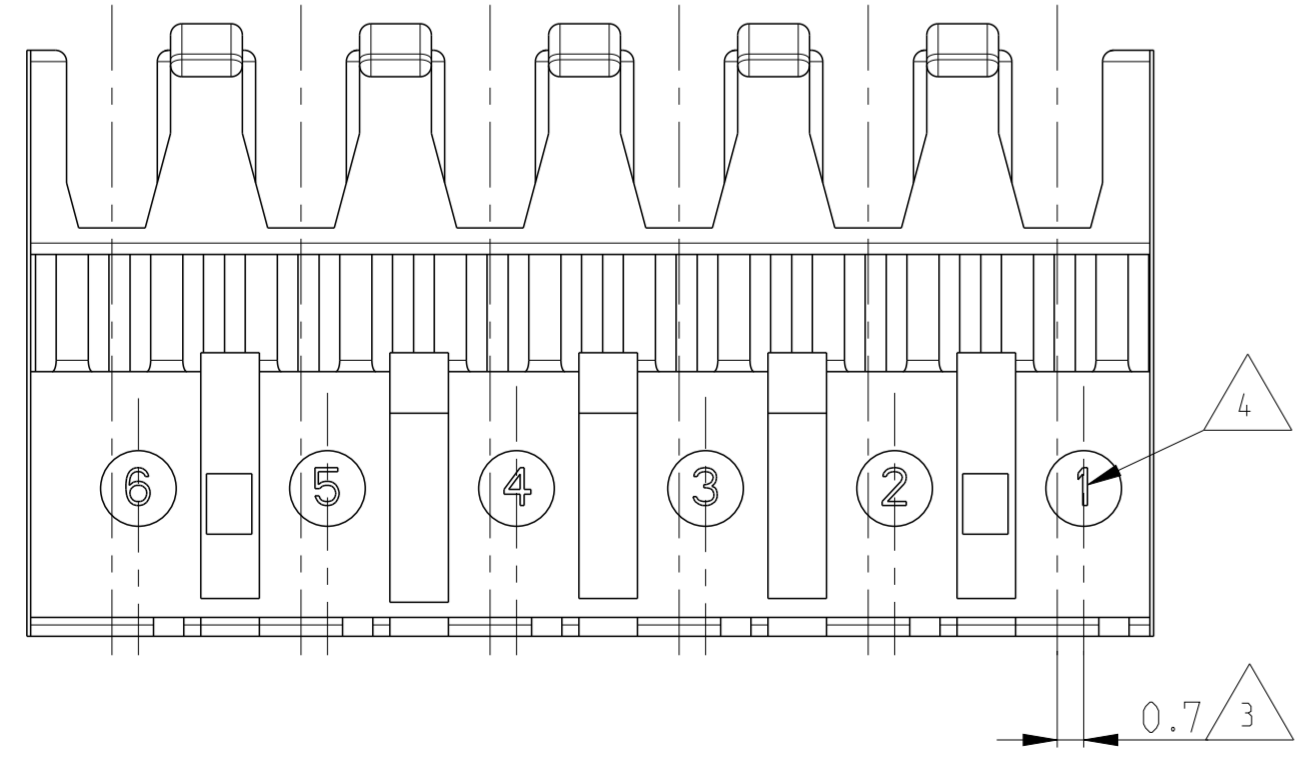
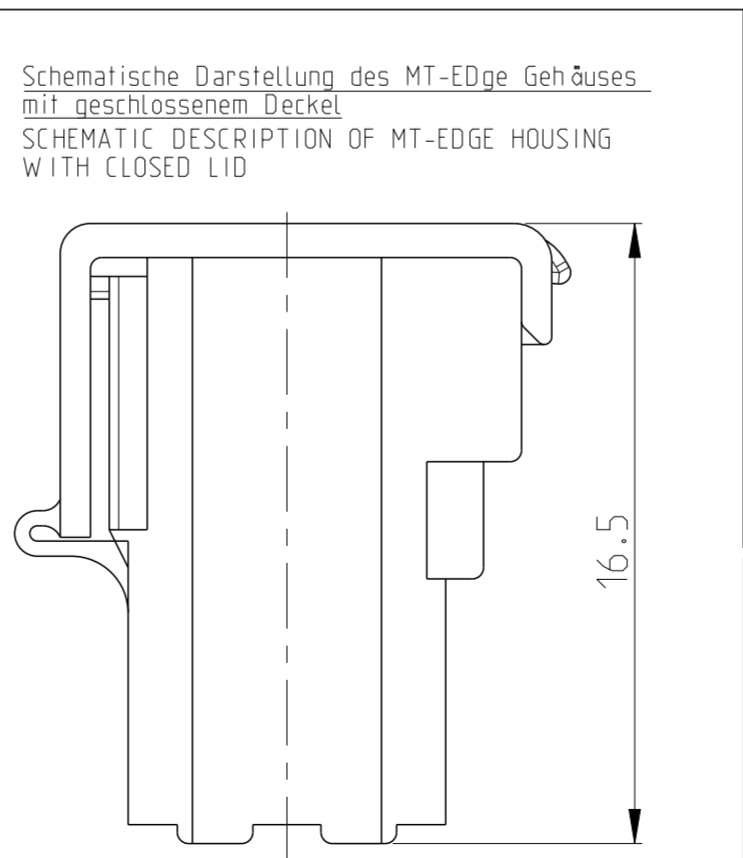
THIS DRAWING IS UNPUBLISHED. RELEASED FOR PUBLICATION 2003  
 © COPYRIGHT 2003 ALL RIGHTS RESERVED.

LOC	DIST	REVISIONS			
P	LTR	DESCRIPTION	DATE	DWN	APVD
A1	-				
B		ECR-12-002845	16APR2012	MDK	RRP
B1		ECR-13-010494	08JUL2013	MKD	RRP



Bemerkungen  
NOTES

- 1 Massgebend ist der deutsche Text  
ONLY THE GERMAN-LANGUAGE VERSION SHALL BE BINDING
- 2 Lage des Kontaktpunktes auf der Leiterplatte; Abweichung ±0.4  
POSITION OF CONTACT POINT ON BOARD; DEVIATION ±0.4
- 3 Kontaktierung zur Drahtmitte um 0.7mm versetzt  
CONTACTING 0.7mm DISPLACED TO WIRE CENTRELINE
- 4 Kontaktkammer-Nr.  
CONTACT CAVITY #
- 5 Firmenlogo und Leergehäuse-Nr.  
ARTWORK LOGO AND HOUSING # (NON LOADED)
- 6 Vierkantloch 2x2 mm wahlweise Rastloch Ø2.5 mm  
SQUARE HOLE 2x2 mm OPTIONAL LOCKING HOLE Ø2.5mm
- 7 Ausführung nach DIN 60249-2-4  
BOARD DESIGN ACCORDING TO DIN 60249-2-4
- 8 Crimp Kontakt-Nr.:  
Material: CuSn4 926770-1, 926917-1  
CRIMP CONTACT #:  
MATERIAL: CuSn4



1703114-1	MT-EDGE HOUSING	NATURE
PART-NO.:	DESCRIPTION	COLOUR

THIS DRAWING IS A CONTROLLED DOCUMENT.

DIMENSIONS: mm	TOLERANCES UNLESS OTHERWISE SPECIFIED:	DWN MAHNKE, B. 22SEP2004	 TE Connectivity NAME: 6 POS. MT-EDGE HOUSING RAST 5mm SIZE: A2 CAGE CODE: C-1703114 DRAWING NO: 108-18003 APPLICATION SPEC: 114-18002 WEIGHT: 2.964 g RESTRICTED TO: -
	0 PLC ±	CHK STREDAK, F. 20DEC2004	
	1 PLC ±0.2mm	APVD BLEICHER, M. 21DEC2004	
	2 PLC ±	PRODUCT SPEC	
MATERIAL: PA6.6 / UL94V-2	3 PLC ±	APPLICATION SPEC	SCALE: 5:1 SHEET 1 OF 1 REV: B1
	4 PLC ±	WEIGHT	
	ANGLES FINISH	CUSTOMER DRAWING	

单击下面可查看定价，库存，交付和生命周期等信息

[>>TE Connectivity\(泰科\)](#)