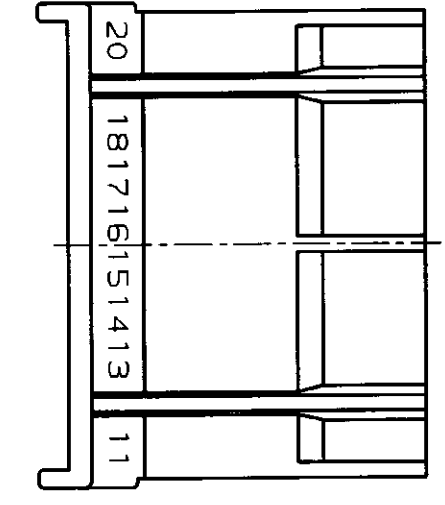
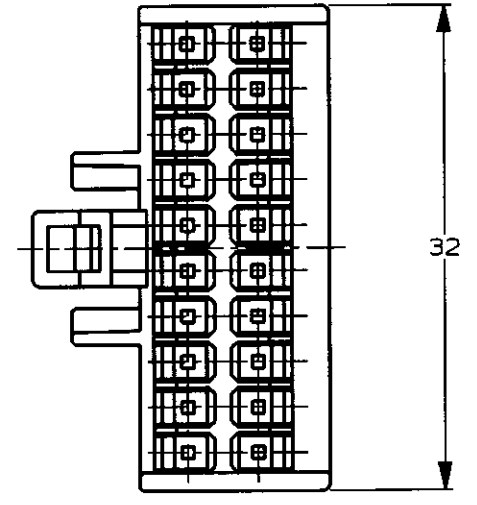
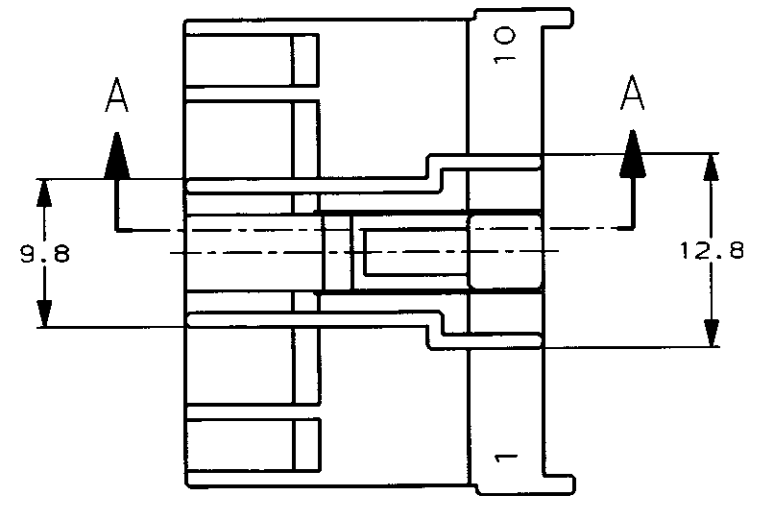
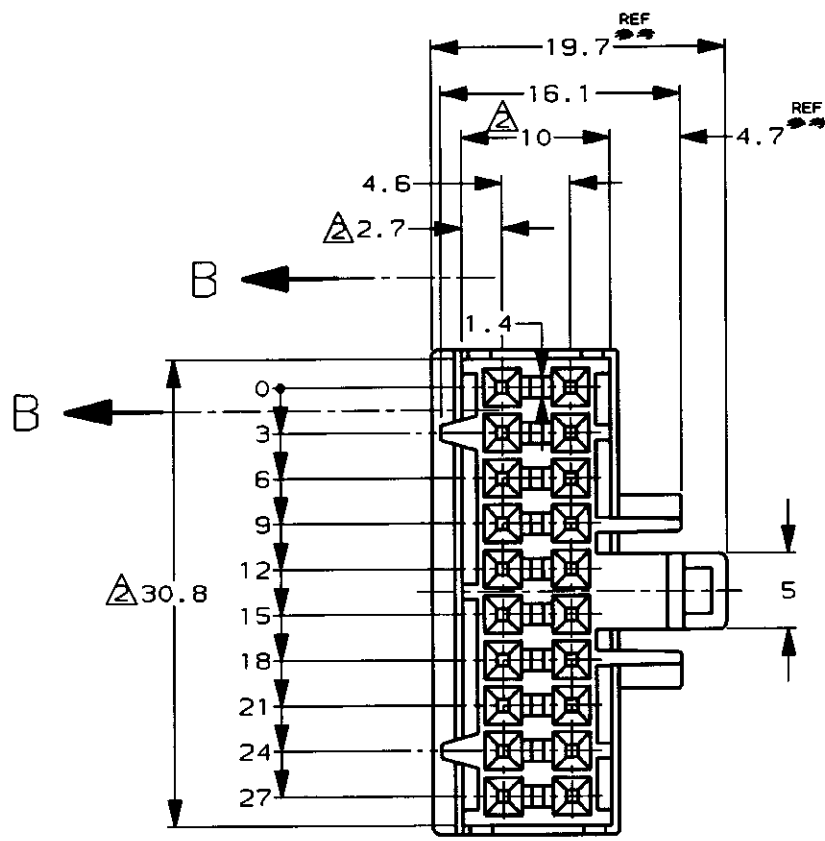
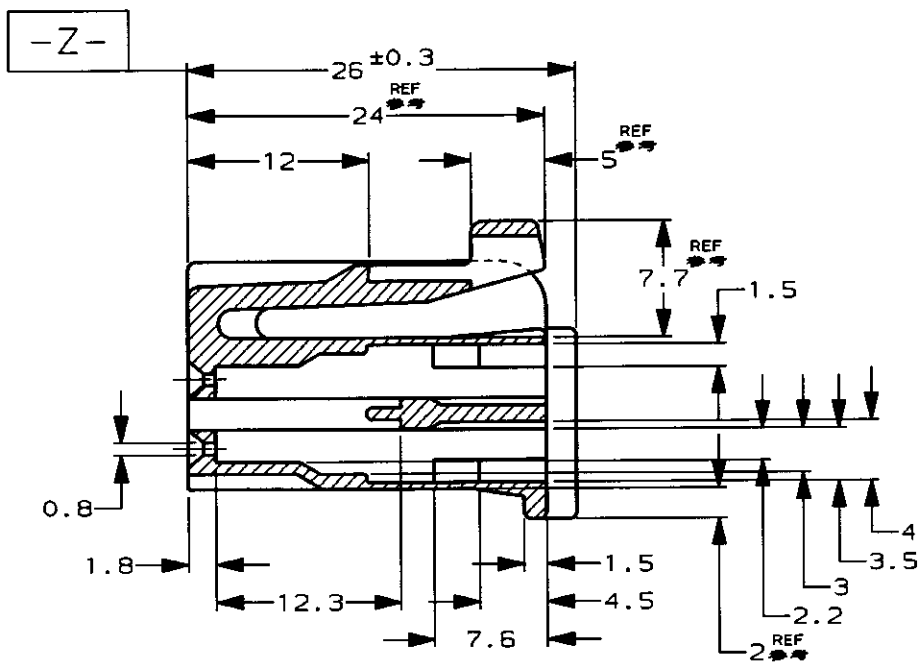


THIS DRAWING IS UNPUBLISHED. RELEASED FOR PUBLICATION .19
 (C) COPYRIGHT 19 BY AMP INCORPORATED. ALL RIGHTS RESERVED.

LOC		DIST		REVISIONS				
P	LTR	DESCRIPTION	ECN	DATE	DWN	APVD		
	A	再作成 REDRAWN W/O CHANGE	FJ00-0009-97	25DEC.96	TS	AW		

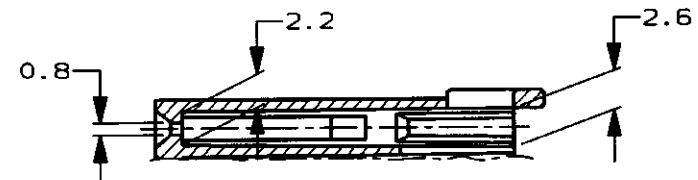


-2 ; 本 ☒
 -2 ; AS SHOWN



注 :
 適合ロッキングプレート型番 172851 (2ヶ)
 -Z- 面より2mmの範囲で測定

NOTES :
 1 PART NUMBER OF SECONDARY LOCKING PLATE 172851 (2 REQUIRED)
 THESE DIMENSIONS TO BE MEASURED BETWEEN -Z- AND 2



断面 B-B
 SECT.

断面 A-A
 SECT.

THIS DRAWING IS A CONTROLLED DOCUMENT FOR AMP INCORPORATED. IT IS SUBJECT TO CHANGE AND THE CONTROLLING ENGINEERING ORGANIZATION SHOULD BE CONTACTED FOR THE LATEST REVISION.		DWN <i>T. Shinohara</i> 25DEC96 CHK	WIRE RANGE 適合電線断面積 #	INSULATION DIA 被覆外径 #
DIMENSIONS 単位・純 mm	TOLERANCES UNLESS OTHERWISE SPECIFIED 一般公差 10mm ±0.2 30mm ±0.25 100mm ±0.3 ANGLE ±3°	APVD <i>A. Tamoto</i> 25DEC.96 PRODUCT SPEC 製品規格 108-5124	AMP 日本エー・エム・シー株式会社 Kawasaki, Japan	
MATERIAL 材料 66 NYLON 66 ナイロン	FINISH 仕上 BLACK 黒	WEIGHT CUSTOMER DRAWING	NAME 名称 20極 プラグハウジング 二重ロック型 デュアルラインインターロックコネクタ PLUG HOUSING 20Pos. DLI CONNECTOR SECONDARY LOCK TYPE	
		SIZE A3	CAGE CODE	DRAWING NO 番号 C-172850
		SCALE 2-1 尺度		SHEET 1 OF 1 REV A

单击下面可查看定价，库存，交付和生命周期等信息

[>>TE Connectivity\(泰科\)](#)