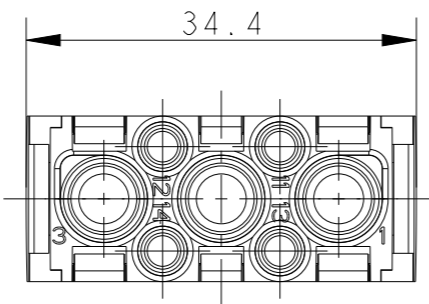
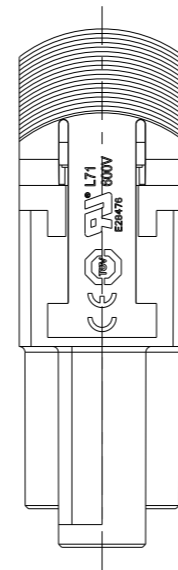
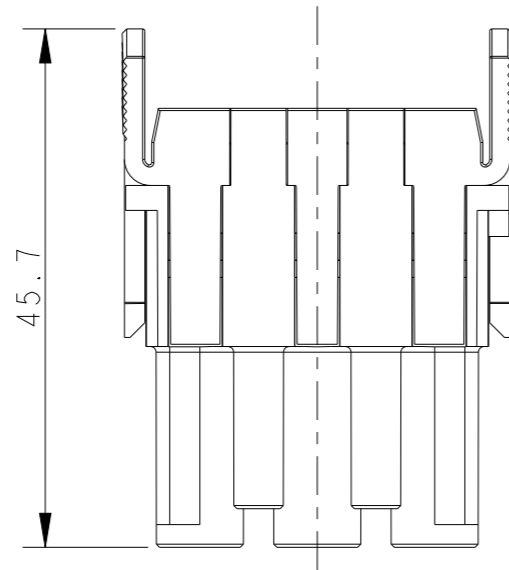
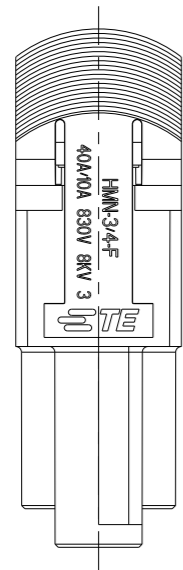
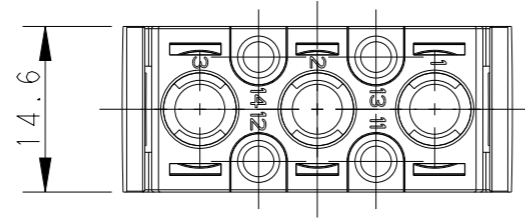
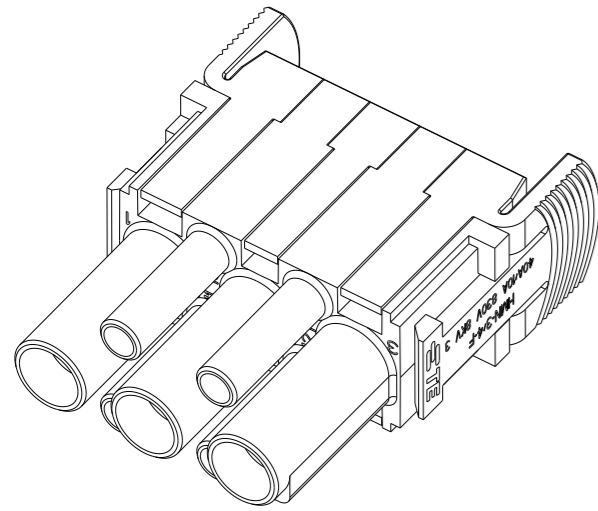


P	LTR	DESCRIPTION	DATE	DWN	APVD
A		INITIAL	14NOV2019	DW	CW
A1		ECR-20-008707	17JUN2020	DW	CW
B		ECR-21-111798	07OCT2021	WQR	CW



NOTES:

- TECHNICAL CHARACTERISTICS:  
 INSULATION MATERIAL: PC  
 RATED VOLTAGE: POWER: 830V; SIGNAL: 830V  
 RATED CURRENT: POWER: 40A; SIGNAL: 10A  
 INSULATION RESISTANCE:  $\geq 400M\Omega$   
 RATED IMPULSE VOLTAGE: POWER: 8KV; SIGNAL: 8KV  
 POLLUTION DEGREE: 3  
 FLAMMABILITY: UL94V-0  
 MATING CYCLES: 500 CYCLES  
 TEMPERATURE RANGE:  $-40\sim+125^{\circ}C$   
 WIRE RANGE: POWER: 1~6 mm<sup>2</sup> (18~10 AWG)  
 SIGNAL: 0.14~2.5 mm<sup>2</sup> (26~14 AWG)  
 CONTACT TYPE: CRIMP CONTACT
- CONTACT NEED TO BE ORDERED SEPARATELY.  
 (ORDER No. REFER TO DRAWING:  
 T20400X20XX000 FOR POWER;  
 T20200X20XX000 FOR SIGNAL)

注释:

- 技术参数:  
 绝缘材料: PC  
 额定电压: 电源: 830V; 信号: 830V  
 额定电流: 电源: 40A; 信号: 10A  
 绝缘电阻:  $\geq 400M\Omega$   
 额定脉冲电压: 电源: 8KV; 信号: 8KV  
 污染等级: 3  
 阻燃等级: UL94V-0  
 插拔次数: 500次  
 温度范围:  $-40\sim+125^{\circ}C$   
 接线范围: 电源: 1~6 mm<sup>2</sup> (18~10 AWG)  
 信号: 0.14~2.5 mm<sup>2</sup> (26~14 AWG)  
 接线类型: 冷压接
- 端子需要单独订购。  
 (订货号参考图面: 电源端子: T20400X20XX000; 信号端子: T20200X20XX000)

T2111342201-000	HMN-3/4-F	HMN-3/4 FEMALE MODULE INSERT HMN-3/4 模块母插
PART NUMBER 料号	PART DESCRIPTION 描述	

THIS DRAWING IS A CONTROLLED DOCUMENT.		DWN 11JUL2019 DAVID WANG					
		CHK 11JUL2019 GINO YAO					
		APVD 11JUL2019 CHRIS WANG					
		NAME HMN-3/4-F					
DIMENSIONS: mm	TOLERANCES UNLESS OTHERWISE SPECIFIED:	PRODUCT SPEC 108-137418	APPLICATION SPEC 114-137418	SIZE A3	CAGE CODE 00779	DRAWING NO T2111342201000	RESTRICTED TO -
MATERIAL -	FINISH -	WEIGHT -	CUSTOMER DRAWING	SCALE 3:2	SHEET 1 OF 1	REV B	

单击下面可查看定价，库存，交付和生命周期等信息

[>>TE Connectivity\(泰科\)](#)