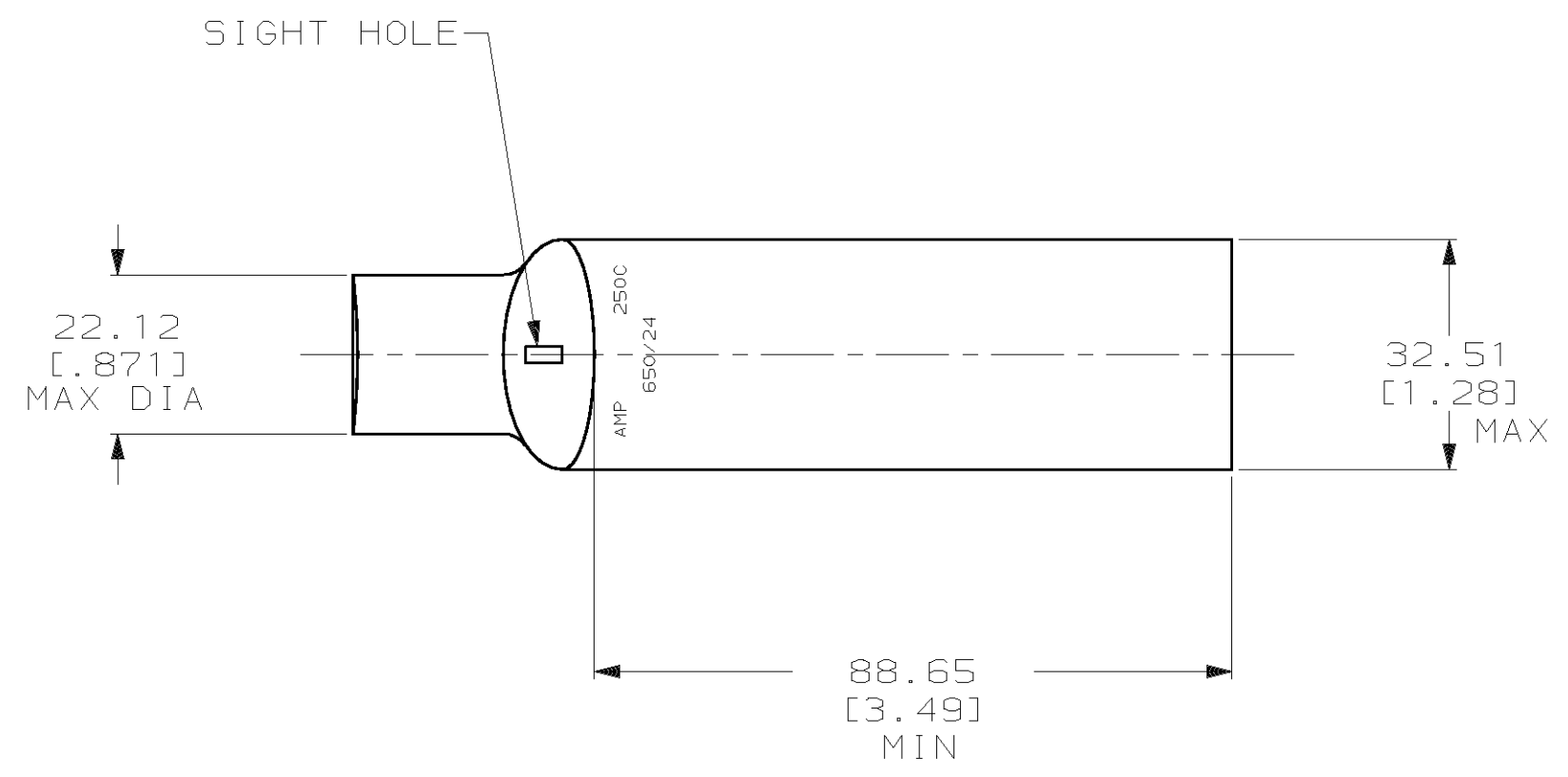
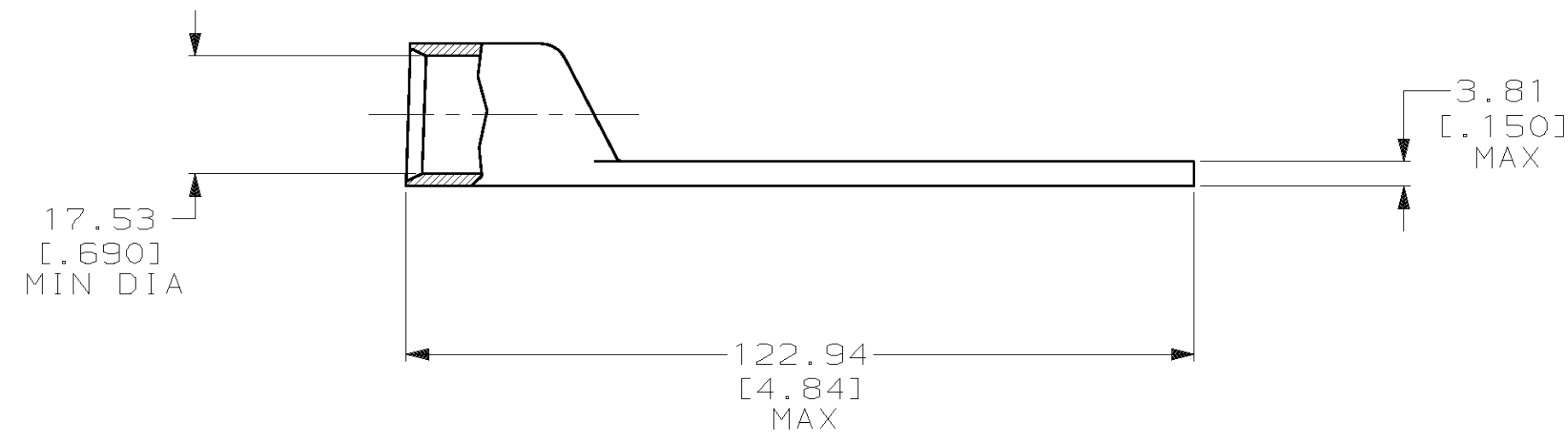


REVISIONS							
LOC	DIST	P	F	DESCRIPTION	DATE	APPD	
G	86			R	REV PER 0G3A-0561-01	08OCT02	JR/MS



1 CIRCULAR MIL AREA RANGE: 231-275 MCM
 2 TIN PL 0.00381 [.000150] THK PER MIL-T-10727



325712

325712
PART NO

DO NOT SCALE PRINT. UNLESS SPECIFIED DIMENSIONS IN mm [INCHES] TOLERANCES ON : 2 PLC DEC ± 0.51 [.020] 3 PLC DEC ± - ANGLES ± -		DR 02/28/90 DK SCHRUM	AMP INCORPORATED Harrisburg, Pa. 17105	
MATERIAL ANNEALED COPPER ASTM B-75		CHK 20JAN95 MS FEHER		
FINISH △		APPD 20JAN95 WJ VOCKROTH	NAME TERMINAL, AMPPOWER, WIRE SIZE: 250 MCM	
APPLICATION SPEC -		APPD 20JAN95 TL SHUTTER	PRODUCT SPEC 108-30200	DRAWING NO 325712
WEIGHT .248 LB		SCALE 1:1	CAGE CODE 00779	SHEET 1 OF 1



单击下面可查看定价，库存，交付和生命周期等信息

[>>TE Connectivity\(泰科\)](#)