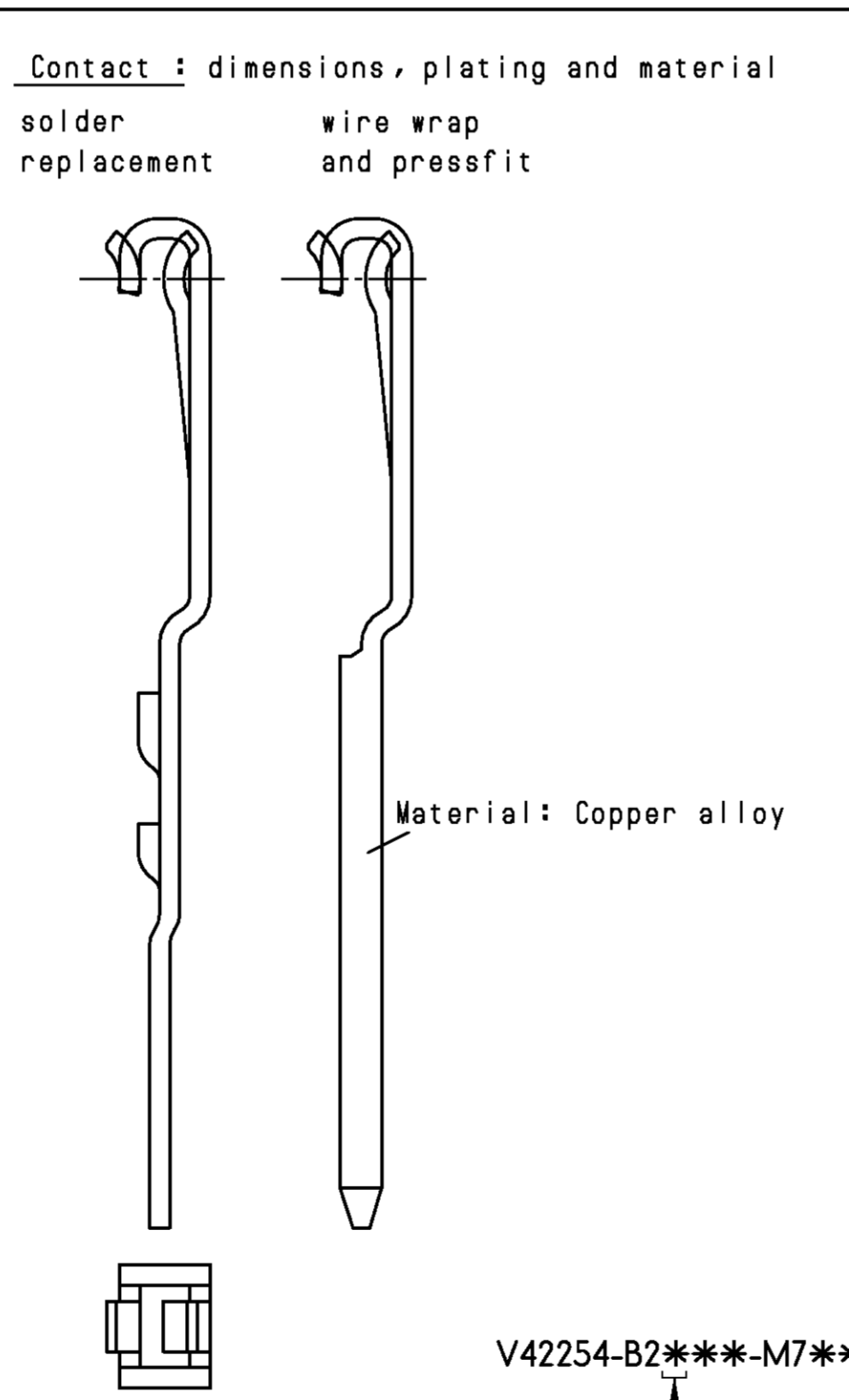
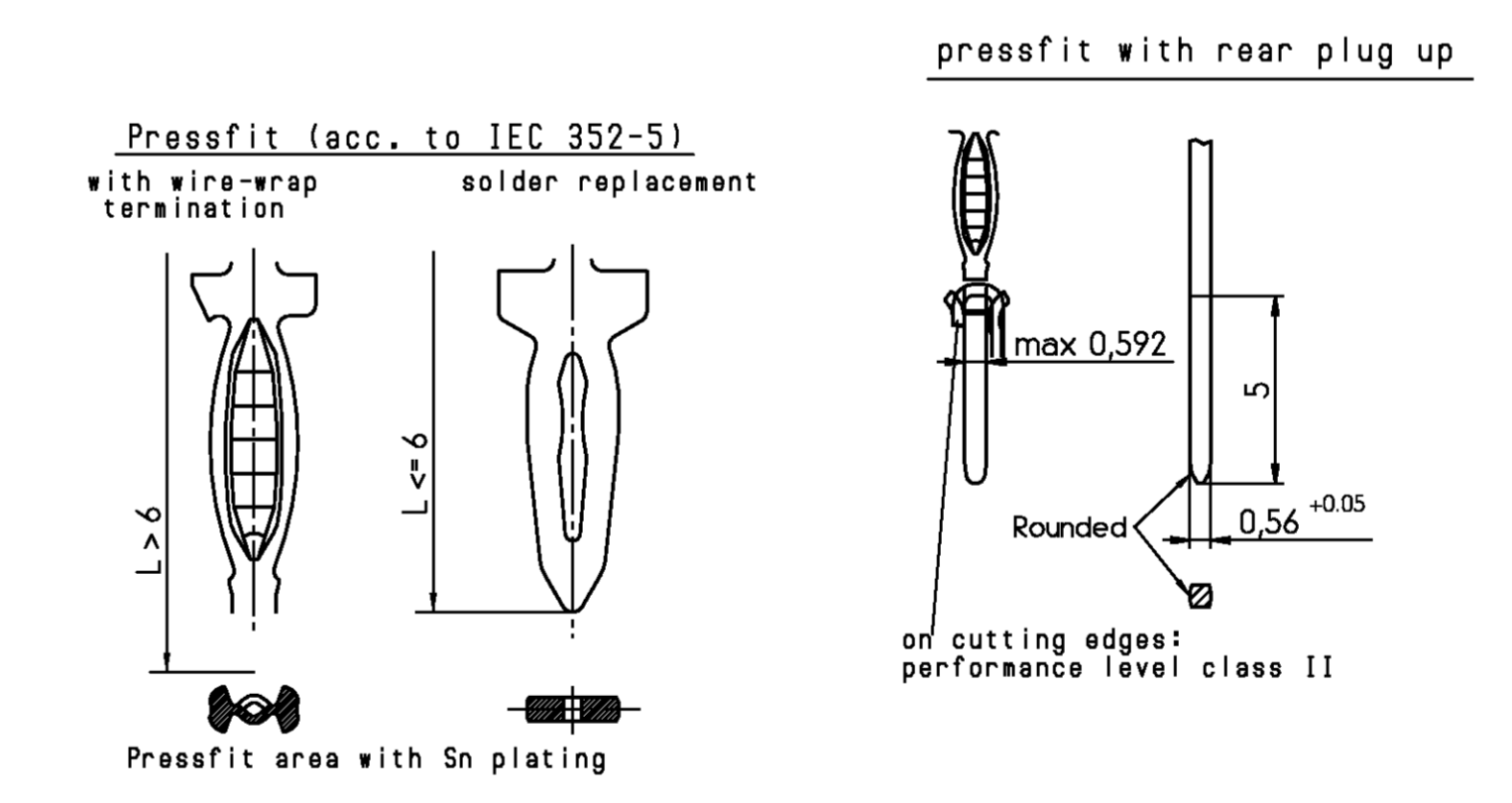


Type	m	n	a	b	c	d	e	f	Termination
M+2SK	25	31	63.5	90	73.66	5.63	78.74	0.94±0.15	press fit
M/2+2SK	9	15	22.86	50	33.02	5.95	38.1		
M/3+2SK	3	9	7.62	34.76	17.78	5.95	22.86		



Termination Styles



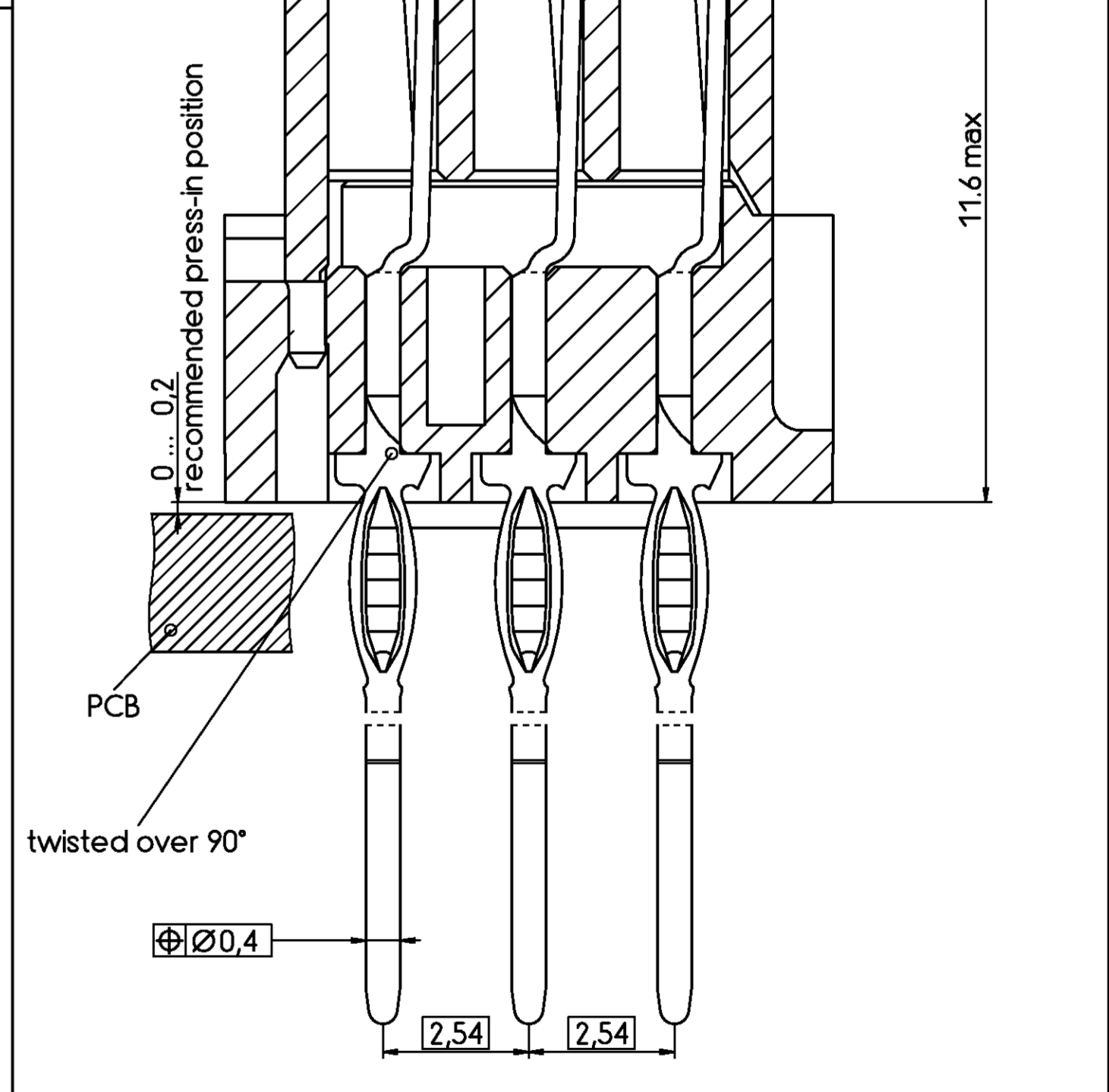
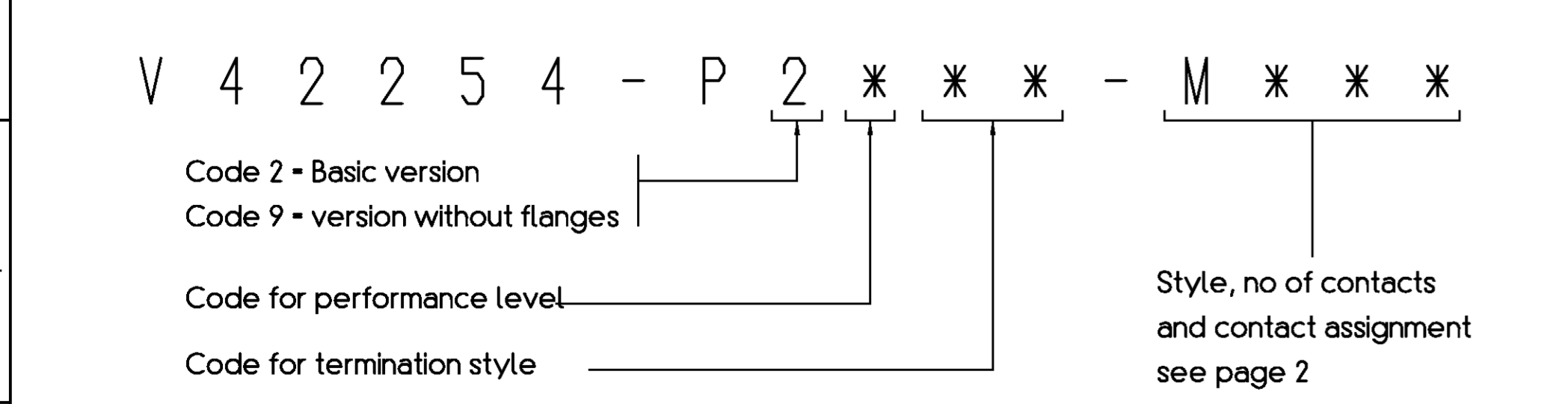
V42254-P2***-M***

	L	Code
Pressfit	3.7 ±0.3 6.0 ±0.3	63 70
Pressfit-wire-wrap	13 ±0.5 17 ±0.5 20 ±0.5	60 61 68

V42254-B2***-M7**

Performance level acc to DIN41612 and IEC 603-2	Noble metals	Code
Class I	PdNi + Au or Au	1 4
Class II	PdNi + Au or Au	2 5
Class III	PdNi + Au or Au	3

Nickel underlayer
Protection film : HF-grease



All female connectors can be pressed-in with a flat stamp (over the connector housing)

STE TE Connectivity

SCALE: DIMENSIONS IN MM

DATE: 27.09.99
NAME: Cuwelier
DEP: PD CCM

PART NAME: Receptacle Assembly Eurocard Press fit Type M + 2 Special contacts and short versions

PART NO: V42254-P2***-M7***-7626

Customer Drawing Nr. C 6-1593637-D

THIS INFORMATION IS CONFIDENTIAL AND PROPRIETARY TO TYCO ELECTRONICS CORPORATION AND ITS WORLDWIDE SUBSIDIARIES AND AFFILIATES. IT MAY NOT BE DISCLOSED TO ANYONE, OTHER THAN TYCO ELECTRONICS CORPORATION, WITHOUT WRITTEN AUTHORIZATION FROM TYCO ELECTRONICS CORPORATION, HARRISBURG, PENNSYLVANIA USA.




THIS INFORMATION IS CONFIDENTIAL AND PROPRIETARY TO TYCO ELECTRONICS CORPORATION AND ITS WORLDWIDE SUBSIDIARIES AND AFFILIATES. IT MAY NOT BE DISCLOSED TO ANYONE, OTHER THAN TYCO ELECTRONICS PERSONNEL, WITHOUT WRITTEN AUTHORIZATION FROM TYCO ELECTRONICS CORPORATION, HARRISBURG PENNSYLVANIA USA

PROPRIETARY:

1	2	3	4	5	6	7	8	
A								A
B								B
C	Old Part Number	TE Part Number	Style & Number of Positions	Termination posts	Loaded Rows	Performance Level	Board Locks	C
D	V42254-P2263-M780	6-1393637-0	M78+2	3.7mm Press-in terminals	every row , every pitch	2	No	D
E	V42254-P2270-M780	9-1393637-0	M78+2	6.0mm Press-in terminals for PCB-thickness $\geq 2.2\text{mm}$	every row , every pitch	2	No	E
F								F

SUPSEDED BY 6-1393637-0

Active part numbers.
Contact TE for other configuration availability

		 DIMENSIONS IN MM		SCALE	WEIGHT
				MATERIAL	
DATE	27.09.99	PART NAME		Receptacle Assembly Eurocard Press fit Type M + 2 Special contacts and short versions	
NAME	Vanbesien	PART NO.			
DEP.	PD COM	V42254-P2***-M7**-*-7626			
TOLERANCE UNLESS SPECIFIED OTHERWISE		SHT.		2-	
REV.	A2 SEE SHEET 1	Customer Drawing Nr. C 6-1393637-0		OF 2	

单击下面可查看定价，库存，交付和生命周期等信息

[>>TE Connectivity\(泰科\)](#)