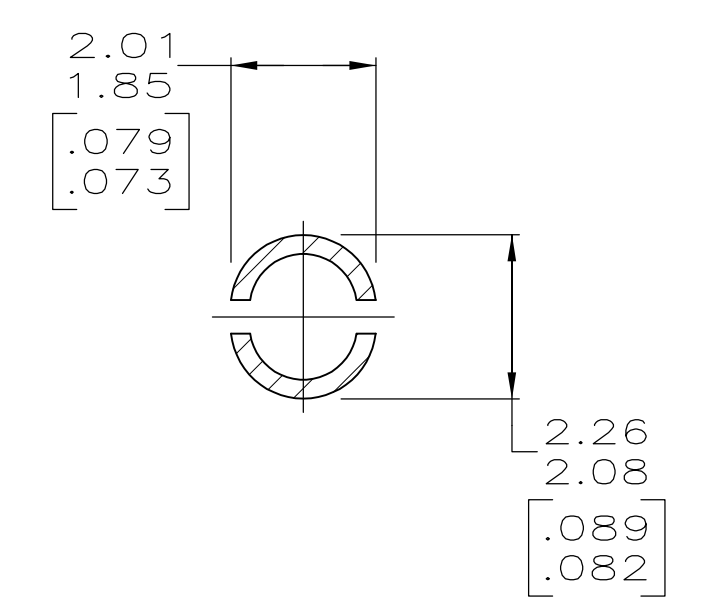
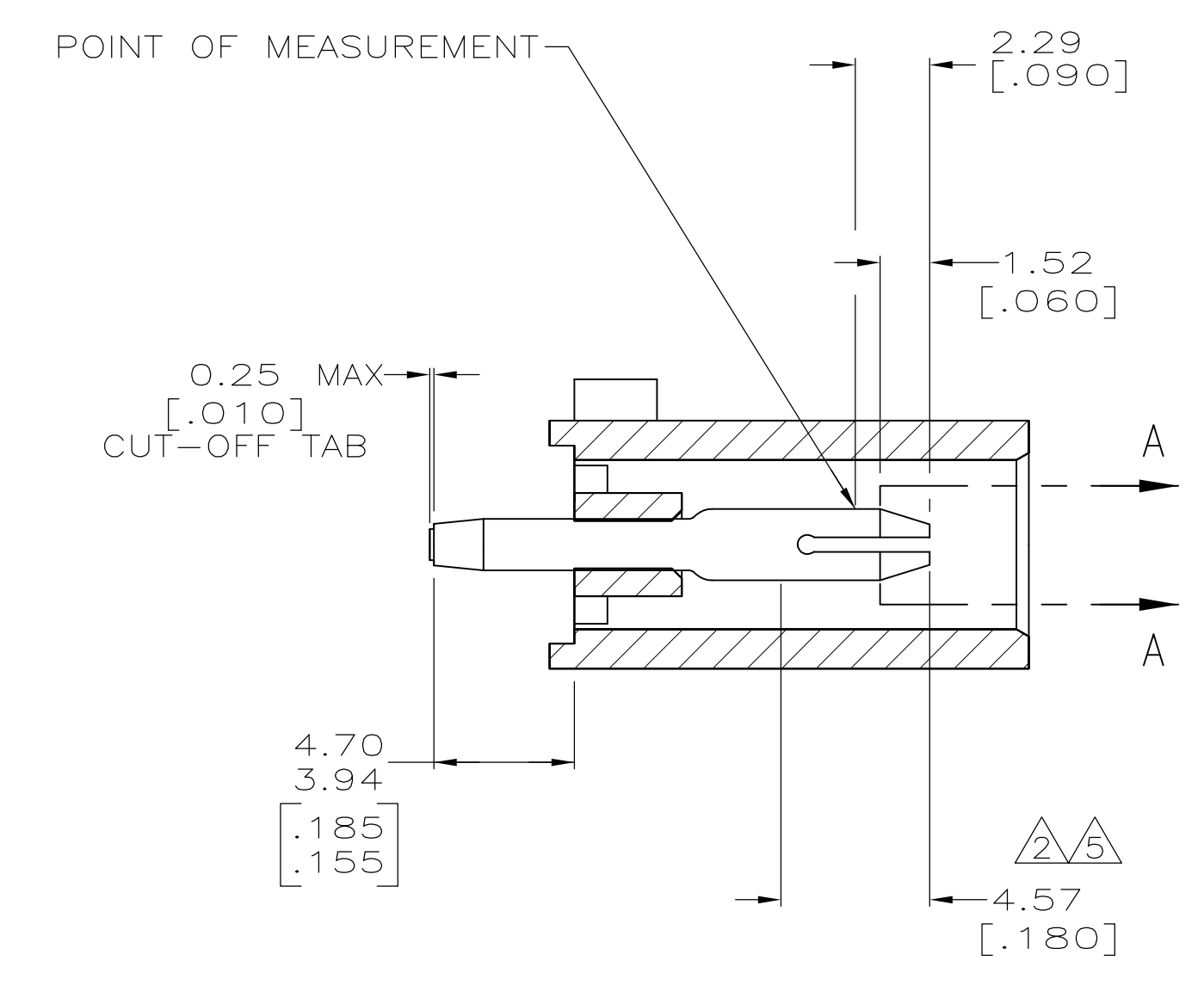
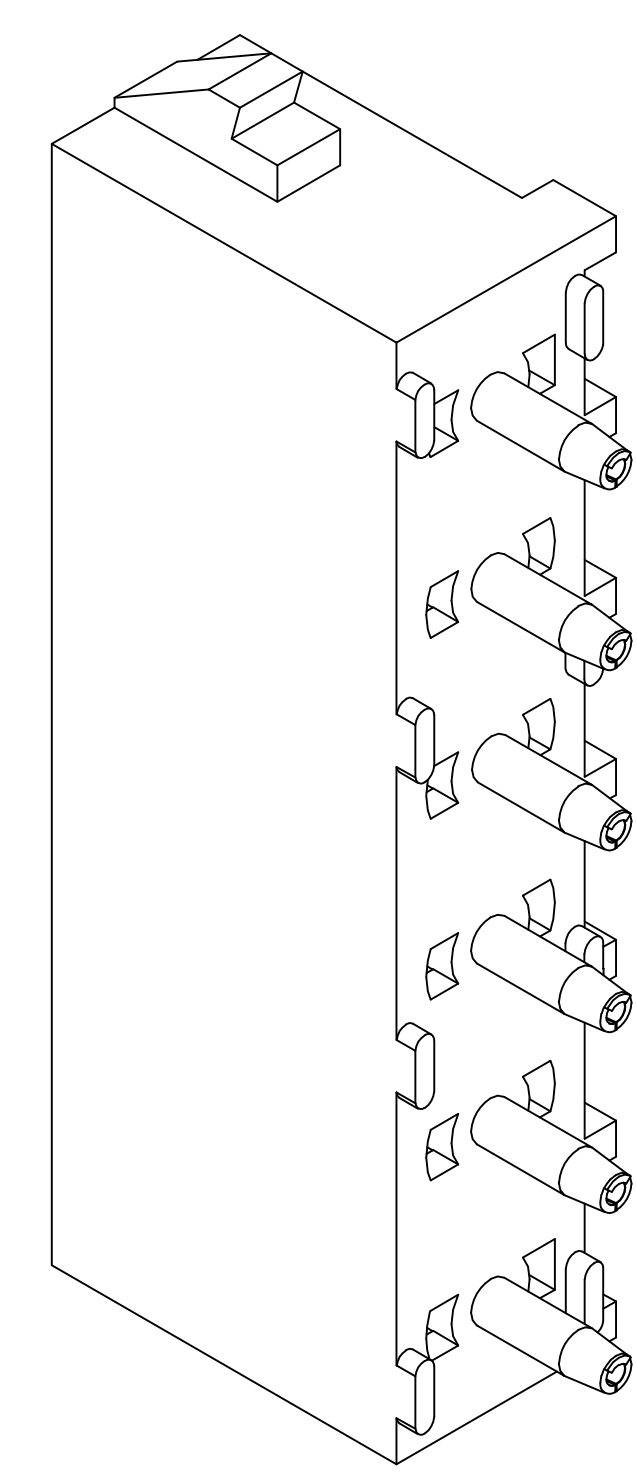
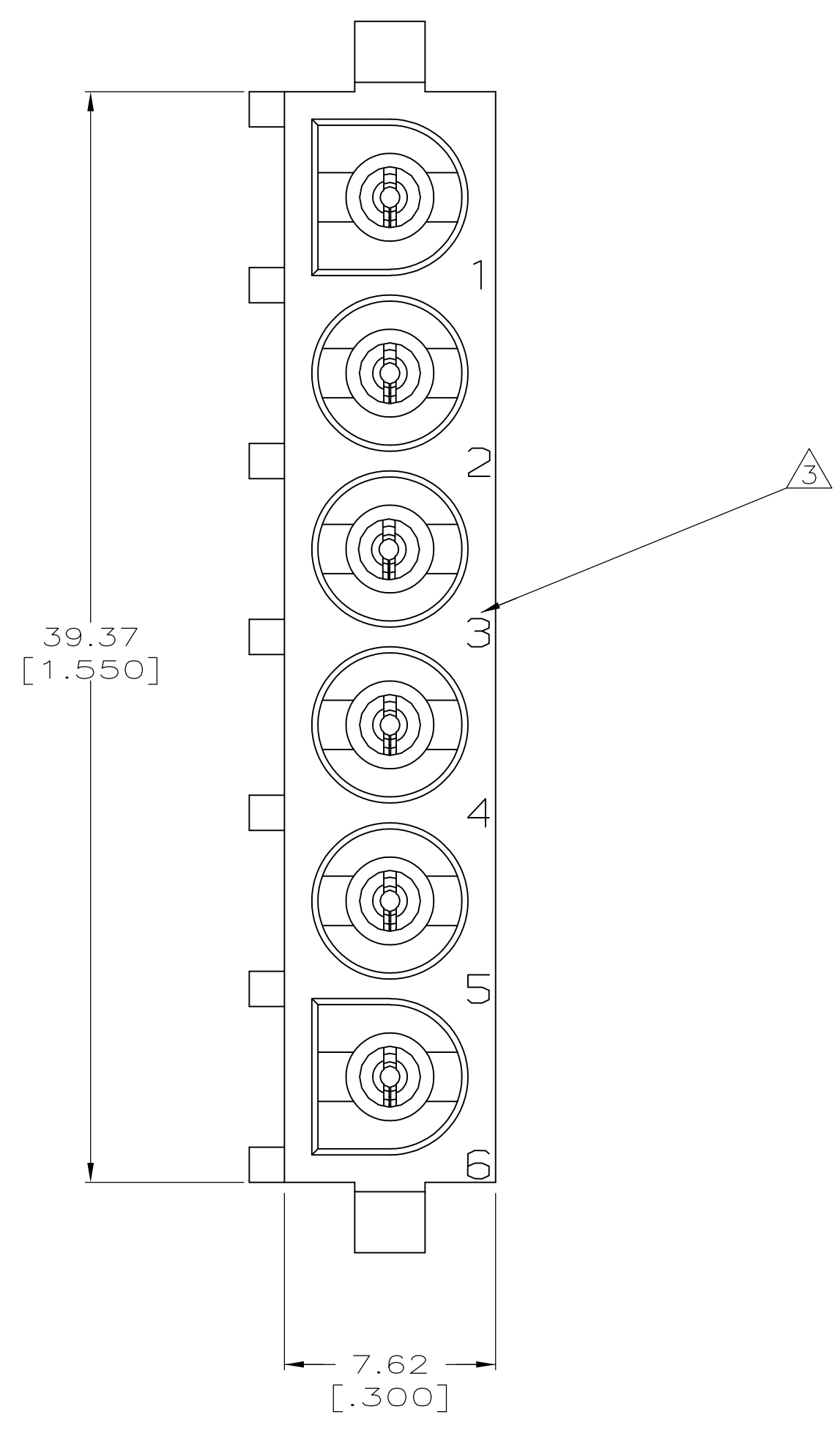
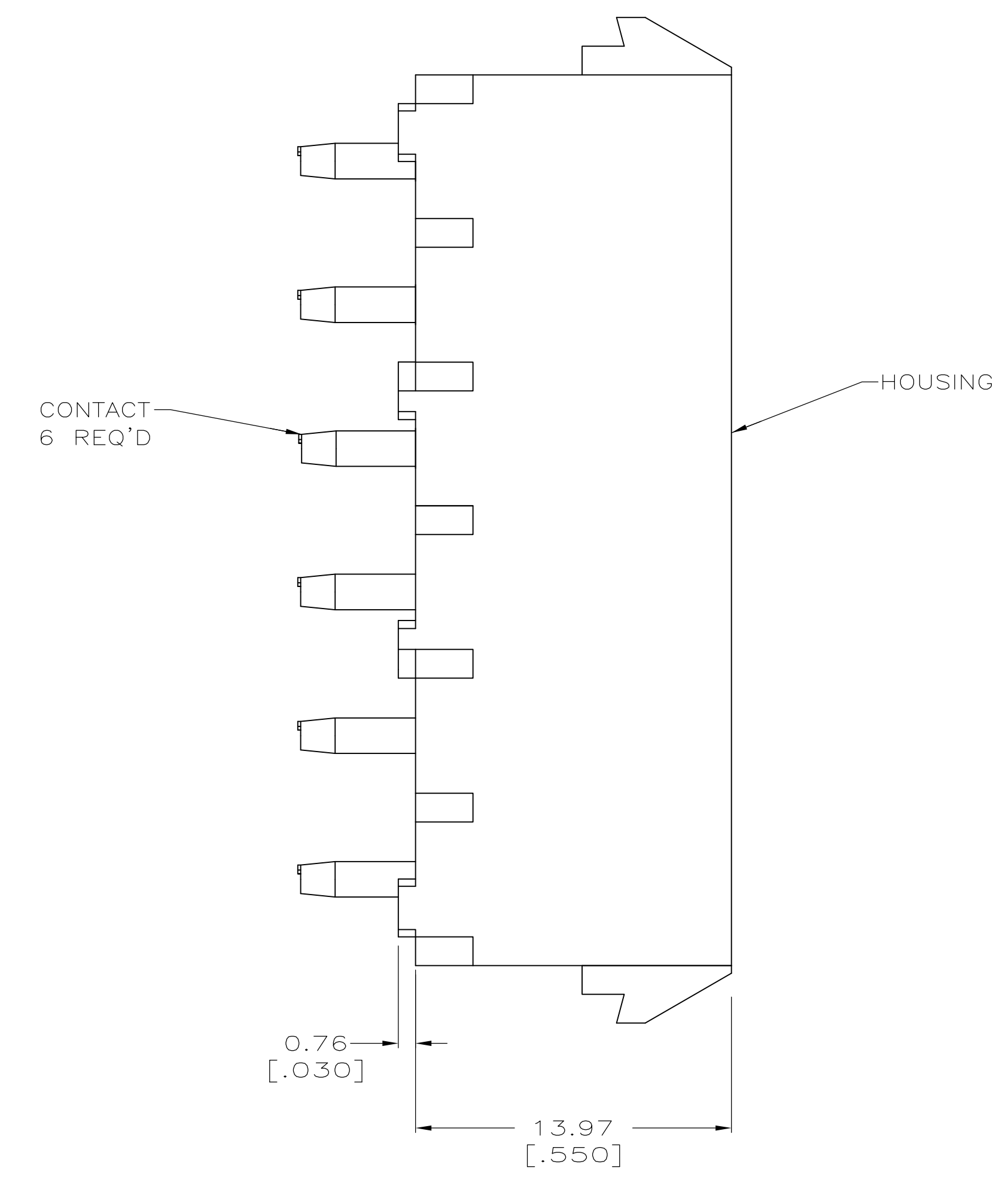
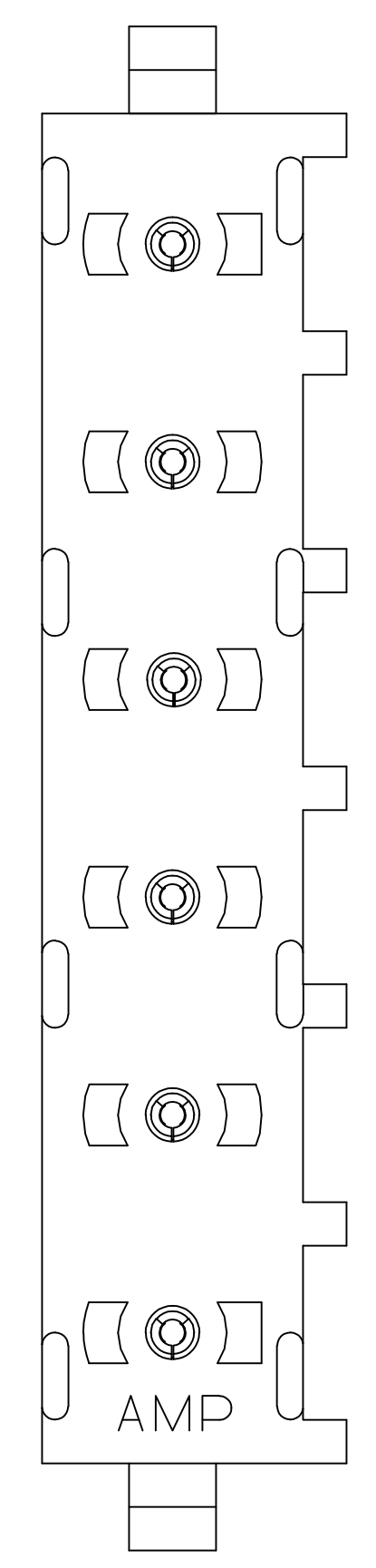
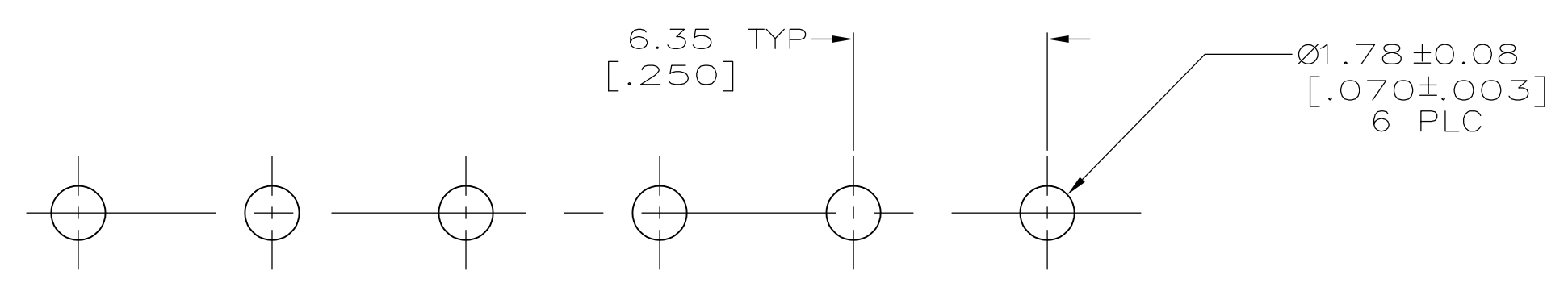


- 1 PARTS COMPLY TO AMP SOLDERABILITY SPECIFICATION 109-11-3.
- 2 CONTACT IS PLATED OVERALL WITH 0.00127 [.000050] NICKEL, THEN 0.00076 [.000030] GOLD OVER CONTACT LENGTH INDICATED AND MATTE TIN LEAD ON SOLDER TAIL END.
- 3 CIRCUIT IDENTIFICATION CHARACTERS ARE ADJACENT TO THE INDICATED CAVITIES, BUT LOCATION AND ORIENTATION MAY DIFFER FROM PRINT.
- 4 DIMENSIONS IN BRACKETS ARE IN INCHES.
- 5 CONTACT IS PLATED OVERALL WITH 0.00127 [.000050] NICKEL, THEN 0.00076 [.000030] GOLD OVER CONTACT LENGTH INDICATED AND MATTE TIN ON SOLDER TAIL END.
- 6 SUPERSEDED BY 641831-3



SECTION A-A
SCALE 10:1



RECOMMENDED MOUNTING HOLE PATTERN FOR 1.57 [.062] THICK P.C. BOARD

PHOSPHOR BRONZE, PRE-TIN	NYLON,UL94V-0,BLUE	1-641831-6
PHOSPHOR BRONZE, PRE-TIN	NYLON,UL94V-0,RED	1-641831-2
PHOSPHOR BRONZE, GOLD	NYLON,UL94V-0,WHITE	641831-3
PHOSPHOR BRONZE, GOLD	NYLON,UL94V-0,WHITE	641831-2
PHOSPHOR BRONZE, PRE-TIN	NYLON,UL94V-0,WHITE	641831-1
PIN CONTACT MATERIAL AND FINISH	HOUSING MATERIAL	PART NUMBER

THIS DRAWING IS A CONTROLLED DOCUMENT.		DIN R LEWIS 10-05-98	STE TE Connectivity	
DIMENSIONS: mm [INCHES]		CIRK R SWING 10-05-98	NAME PIN HEADER ASSEMBLY, 6 CIRCUIT UNIVERSAL MATE-N-LOK(TM)	
TOLERANCES UNLESS OTHERWISE SPECIFIED:		APVD M TRULL 10-05-98	PRODUCT SPEC	
0 PLC ± -		APPLICATION SPEC		
1 PLC ± -		SIZE		
2 PLC ± 0.13 [.005]		CAGE CODE		
3 PLC ± -		DRAWING NO		
4 PLC ± -		WEIGHT		
ANGLES ± 0°30'		A1 00779 641831		
FINISH SEE TABLE		CUSTOMER DRAWING		
SCALE 5:1		SHEET 1 OF 1		
REV M6		RESTRICTED TO		

单击下面可查看定价，库存，交付和生命周期等信息

[>>TE Connectivity\(泰科\)](#)