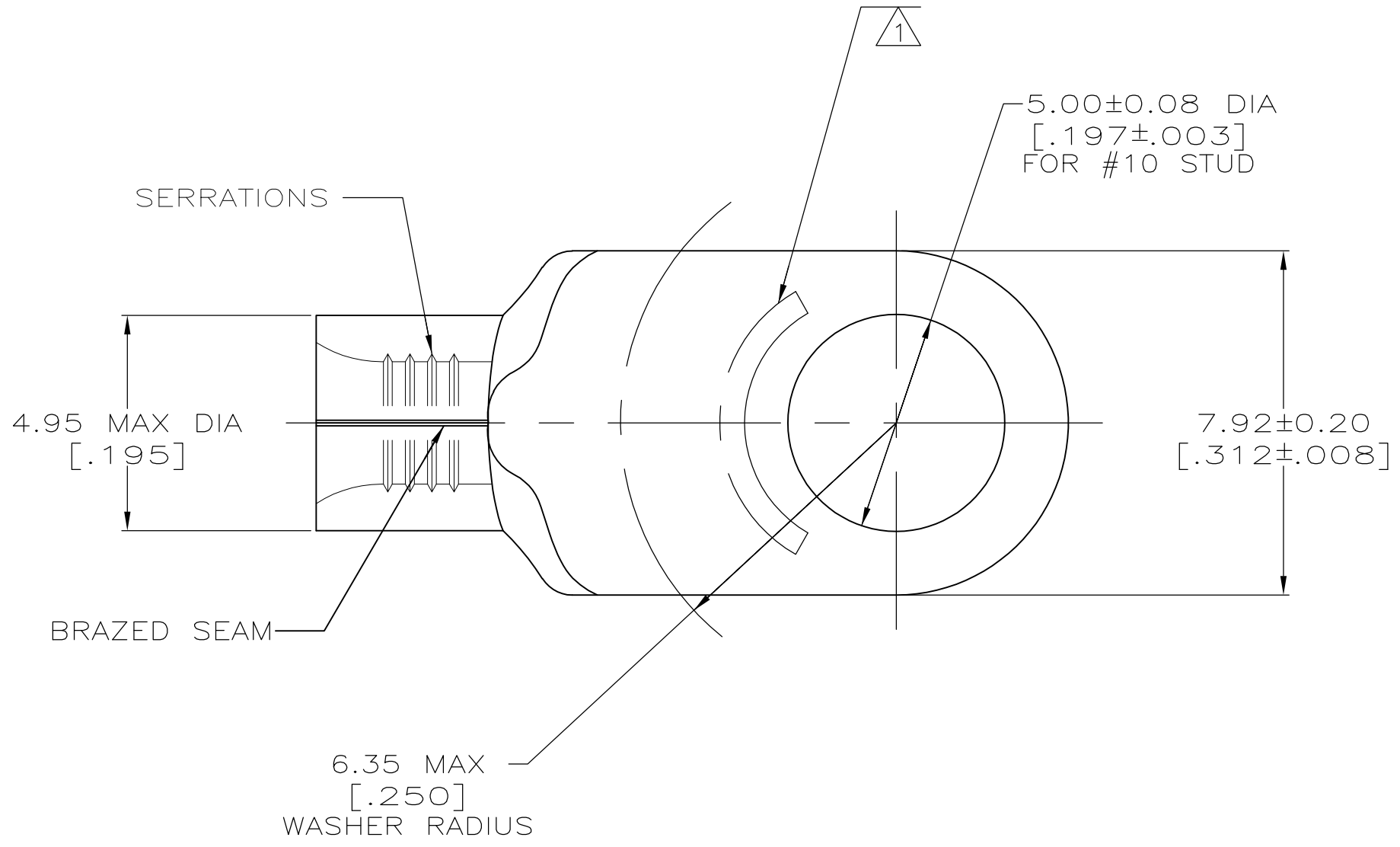


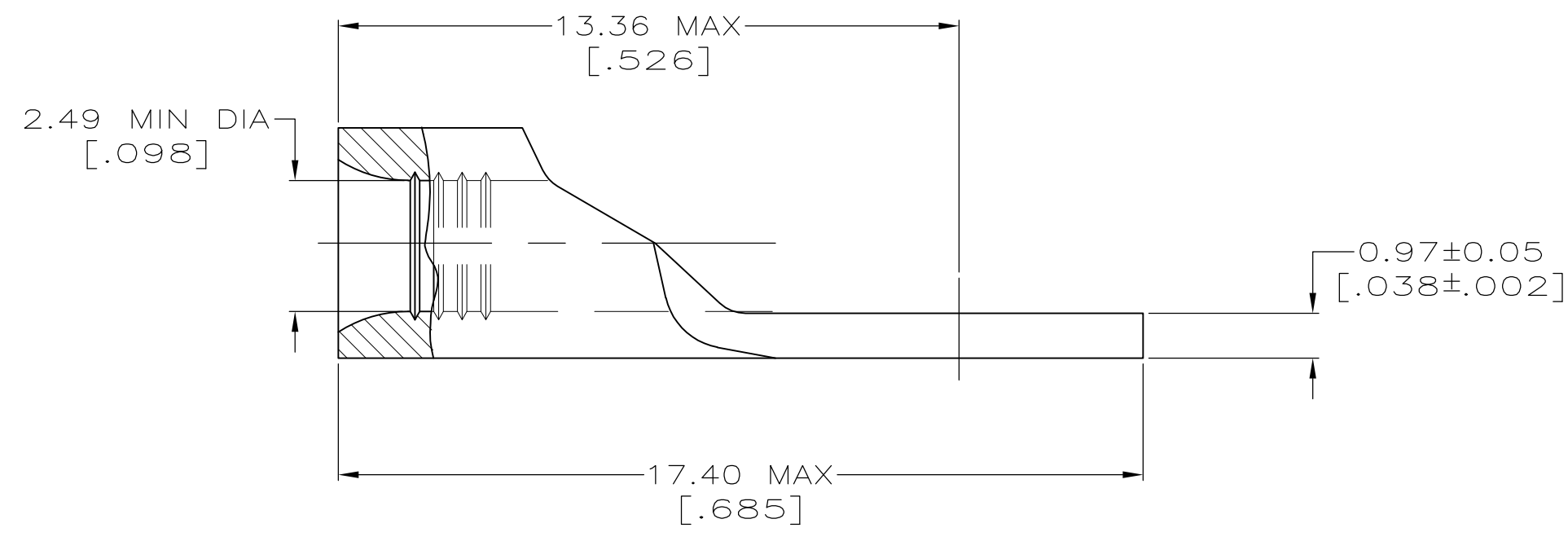
LOC	DIST	REVISIONS			DATE	DWN	APVD
G	14	P	LTR	DESCRIPTION	11MAR11	RK	HMR
		C1		REVISED PER ECO-11-005027			

METRIC
 DIMENSIONS LISTED IN mm [INCHES]



AMP WIRE RANGE	E13288 Listed
14-12 AWG SOLID OR STRANDED	14-12 AWG STRANDED
LR7189 Certified	MILITARY P/N AND CLASS
14-12 AWG SOLID OR STRANDED	NOT APPLICABLE

1 STAMP AMP 14-12* APPROX AS SHOWN



AMP INCORPORATED CUSTOMER SERVICE SYSTEMS		MAX RECOMMENDED OPERATING TEMPERATURE: 170° C MAX
FOR ADDITIONAL PRODUCT INFORMATION OR COPIES OF DRAWINGS AND TECHNICAL DOCUMENTS	PRODUCT INFORMATION CENTER 1-800-522-6752	VOLTAGE RATING: NOT APPLICABLE
FOR APPLICATION TOOLING INFORMATION	TOOLING ASSISTANCE CENTER 1-800-722-1111	WIRE CROSS SECTIONAL AREA RANGE: 1.65-4.17mm ² [3,260-8,230] CIR MILS SOLID OR STRANDED
FOR ORDER ENTRY	1-800-526-5142	THIS DRAWING IS A CONTROLLED DOCUMENT FOR AMP INCORPORATED. IT IS SUBJECT TO CHANGE AND THE CONTROLLING ENGINEERING ORGANIZATION SHOULD BE CONTACTED FOR THE LATEST REVISION.

2500	ON TAPE	1-321828-0
----	LOOSE PIECE	321828
QUANTITY	PACKAGING TYPE	PART NO

THIS DRAWING IS A CONTROLLED DOCUMENT.		DWN TA BRINKMAN 3-17-93	TE Connectivity	
DIMENSIONS: MM[INCHES]		CHK DA PATTERSON 3-17-93	NAME DE MILLER 3-17-93	
TOLERANCES UNLESS OTHERWISE SPECIFIED:		PRODUCT SPEC		
0 PLC ± -		APPLICATION SPEC		
1 PLC ± -		SIZE CAGE CODE DRAWING NO		
2 PLC ± -		A2 00779 G-321828		
3 PLC ± -		RESTRICTED TO		
4 PLC ± -		WEIGHT		
ANGLES ± ± -		CUSTOMER DRAWING		
MATERIAL COPPER PER ASTM B-152 ANNEALED		FINISH TIN PLATE 0.00254[.00100] MIN THK PER MIL-1-10727		
		SCALE 8:1 SHEET 1 of 1 REV C1		

单击下面可查看定价，库存，交付和生命周期等信息

[>>TE Connectivity\(泰科\)](#)