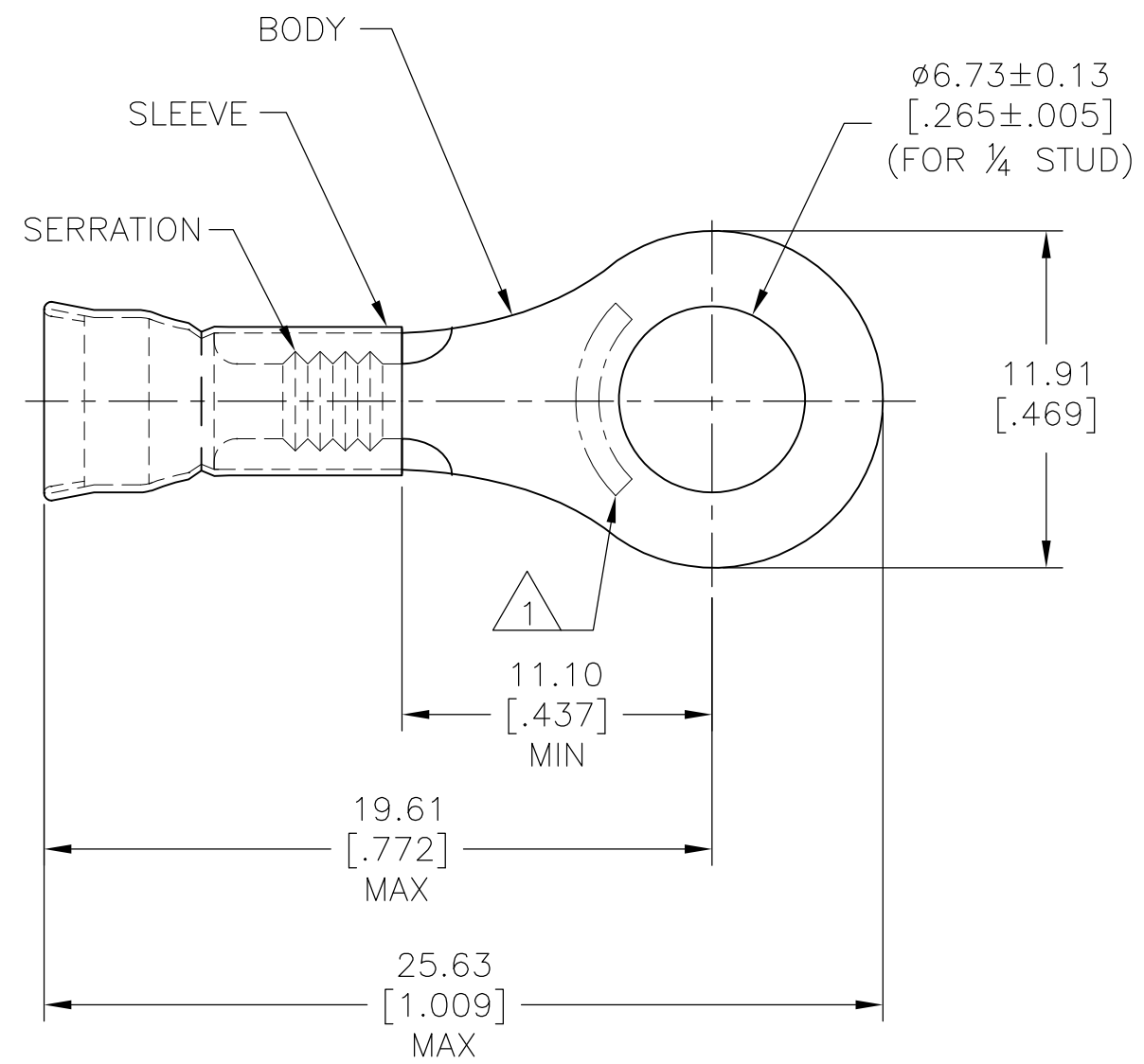


THIS DRAWING IS UNPUBLISHED. RELEASED FOR PUBLICATION  
 © COPYRIGHT - By - ALL RIGHTS RESERVED.

REVISIONS				
P	LTR	DESCRIPTION	DATE	APVD
D1		REVISED PER ECO-16-004498	05MAY2016	NK MM



<b>AMP</b> WIRE RANGE	E13288	LR7189 Certified
16-14 AWG SOLID OR STRANDED	16-14 AWG SOLID OR STRANDED	16-14 AWG SOLID OR STRANDED

- 1 STAMP AMP 16-14\* LOCATE APPROX AS SHOWN
- 2 WIRE INSUL  $\phi 2.67 - \phi 3.81$  [.105-.150]
- 3 TONGUE MATERIAL THK,  $0.79 \pm 0.05$  [.031 ± .002]
- 4 NOT UL OR CSA CERTIFIED

4 PRELIMINARY	5000	ON TAPE, REEL	31256-1
	1000	LOOSE PIECE	31256
	QTY	PACKAGE TYPE	PART NO.

<b>AMP INCORPORATED</b> CUSTOMER SERVICE SYSTEMS		MAX RECOMMENDED OPERATING TEMPERATURE: 170°C [338°F]	THIS DRAWING IS A CONTROLLED DOCUMENT.		DWN L OLMEDA 23JAN95	TE Connectivity			
FOR ADDITIONAL PRODUCT INFORMATION OR COPIES OF DRAWINGS AND TECHNICAL DOCUMENTS	PRODUCT INFORMATION CENTER 1-800-522-6752	VOLTAGE RATING: -	DIMENSIONS: mm [INCHES]	TOLERANCES UNLESS OTHERWISE SPECIFIED:	CHK M ELLIS 23JAN95				
FOR APPLICATION TOOLING INFORMATION	TOOLING ASSISTANCE CENTER 1-800-722-1111	CIRCULAR MIL AREA: 1.04mm <sup>2</sup> -2.62mm <sup>2</sup> [2050-5180]		0 PLC ± - 1 PLC ± - 2 PLC ± 0.20 [.008] 3 PLC ± - 4 PLC ± - ANGLES ± -	APVD S BORTNER 23JAN95	PRODUCT SPEC UL486A			
FOR ORDER ENTRY	1-800-526-5142		MATERIAL BODY, CU_SLV, CU PER ASTM B152	FINISH TIN PLATE PER MIL-T-10727	APPLICATION SPEC -	SIZE A3	CAGE CODE 00779	DRAWING NO C-31256	RESTRICTED TO -
CUSTOMER DRAWING					WEIGHT -	SCALE 4:1	SHEET 1 OF 1	REV D1	

单击下面可查看定价，库存，交付和生命周期等信息

[>>TE Connectivity\(泰科\)](#)