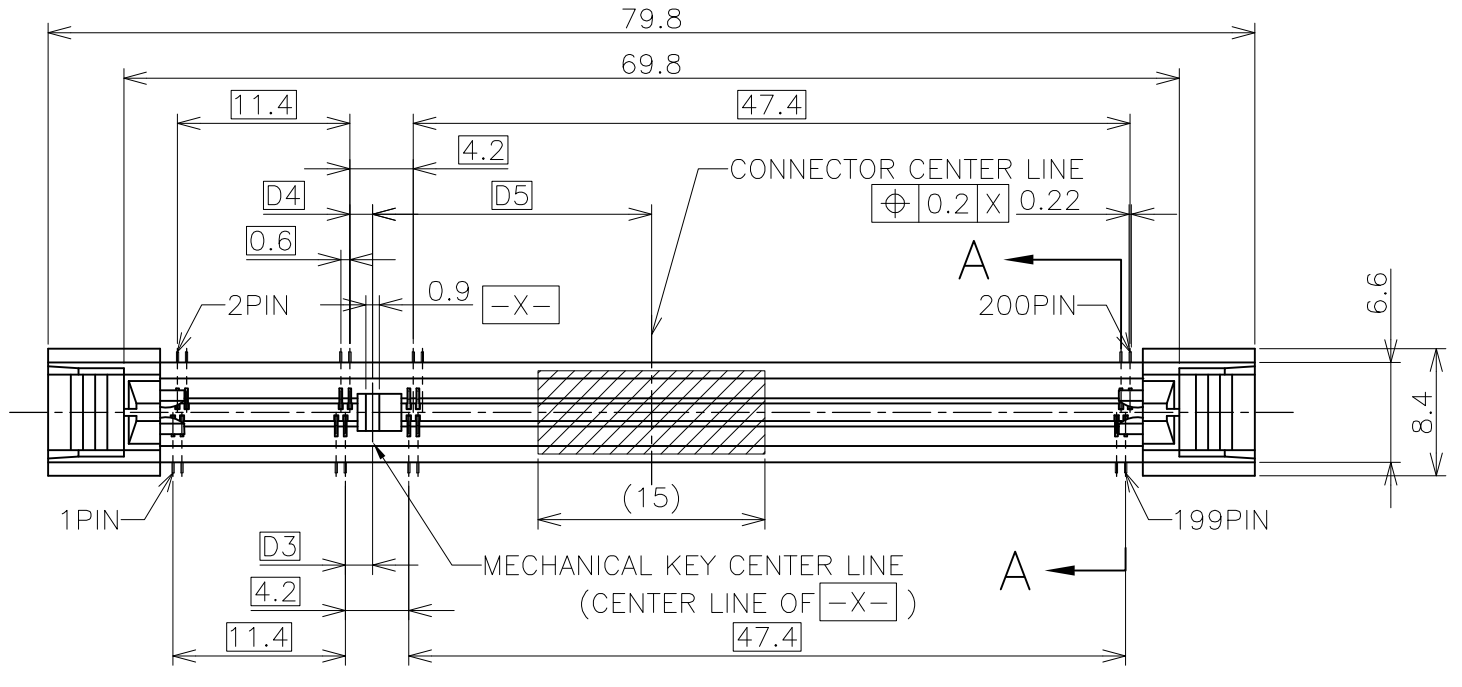
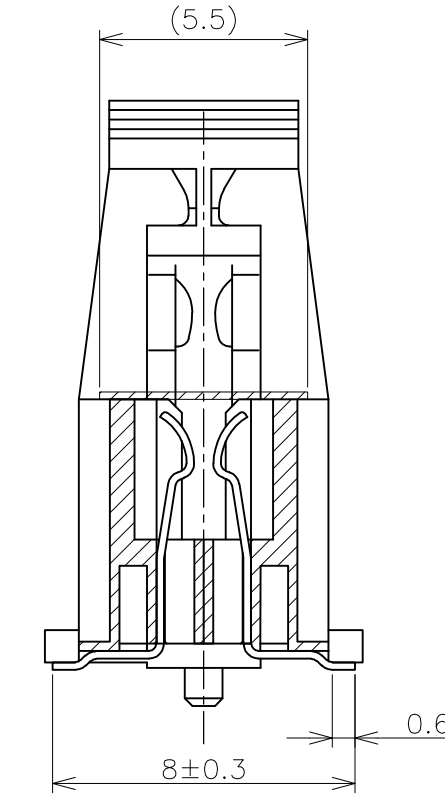
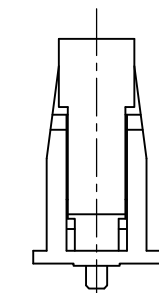
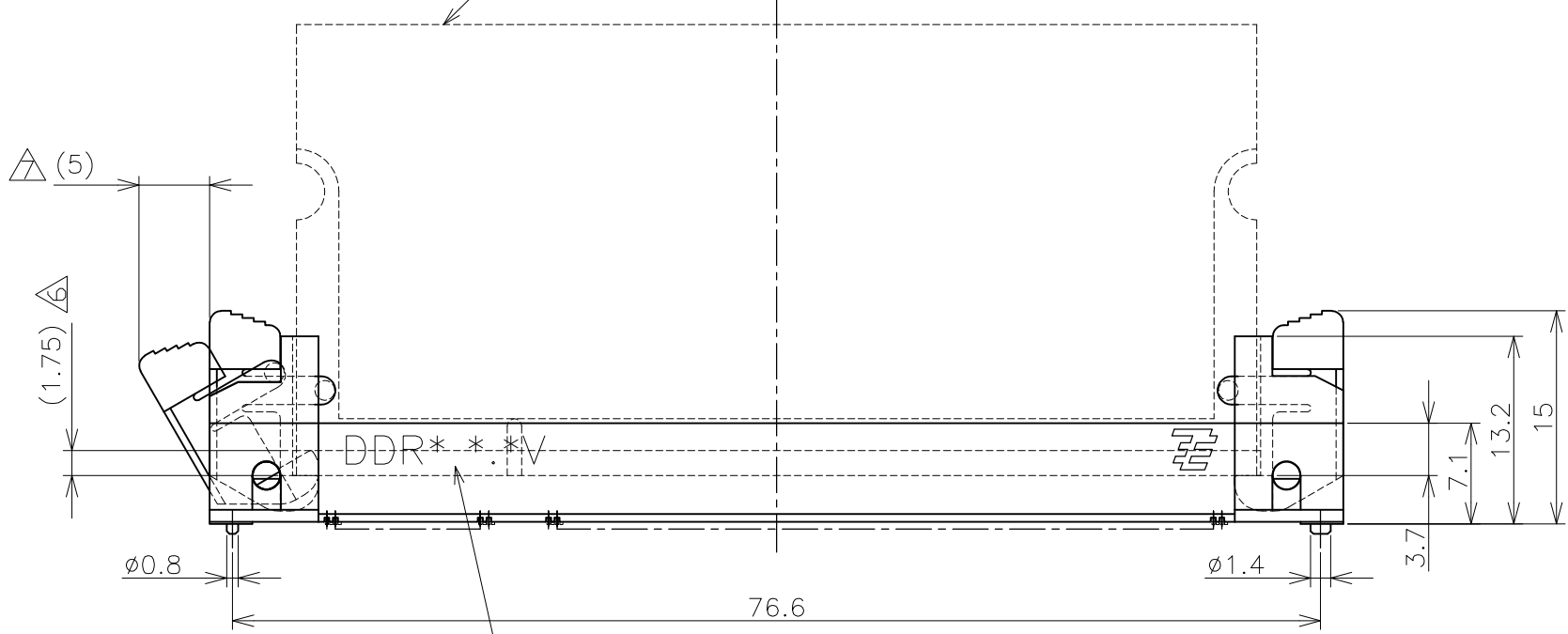


THIS DRAWING IS UNPUBLISHED. RELEASED FOR PUBLICATION
 © COPYRIGHT - By - ALL RIGHTS RESERVED.

LOC	DIST	REVISIONS					
		P	LTR	DESCRIPTION	DATE	DWN	APVD
J		D		REVISED PER ECR-12-005531	23MAR2012	W.W	C.W



- NOTES;(APPLIED TO SHEET 1-2)
- MATERIAL ; HOUSING: HIGH TEMPERATURE THERMO PLASTIC UL94V-0
 CONTACT: COPPER ARROY
 EJECOR: HIGH TEMPERATURE THERMO PLASTIC UL94V-0
 - FINISH ; CONTACT AREA: GOLD FLASH, ALL OVER NICKEL.
 SOLDERING AREA: TIN PLATING, ALL OVER NICKEL.
- ⚠ MECHANICAL KEY POSITION OF CONNECTOR SEE TABLE.
 - ⚠ MODULE TYPE SEE TABLE.
 - ⚠ PWR SUPPLY SEE TABLE.
 - ⚠ THE VOLUME OF LIFTING UP BY EJECOR.
 - ⚠ ADDITIONAL WIDTH BY EJECTING.
 - ⚠ TOLERANCES NON-CUMULATIVE.



A-A
(SCALE 5:1)

DDR2	1.8V	17.55	2.4	2.7	200	2040910-3
DDR2	1.8V	17.55	2.4	2.7	200	2040910-2
DDR1	2.5V	18.45	1.5	1.8	200	2040910-1
TYPE	POWER SUPPLY	D5	D4	D3	POS	PART NO.

GENERAL TOERLANCE

10 ≥	±0.2
30 ≥	>10 ; ±0.25
100 ≥	>30 ; ±0.3
ANGLE ; ±3°	

THIS DRAWING IS A CONTROLLED DOCUMENT.

DIMENSIONS: 単位: 耗 MM	TOLERANCES UNLESS OTHERWISE SPECIFIED: 一般公差
0 PLC ± -	1 PLC ± -
2 PLC ± -	3 PLC ± -
4 PLC ± -	ANGLES ± 3°
MATERIAL 材料	FINISH 仕上
SEE NOTES	SEE NOTES

STE TE Connectivity

NAME 名称: DDR SODIMM SOCKET 0.6mm PITCH
 200POS VERTICAL TYPE

PRODUCT SPEC 製品規格: 108-78628

APPLICATION SPEC 取付適用規格

SIZE	CAGE CODE	DRAWING NO 番号	RESTRICTED TO
A3	00779	C-2040910	

WEIGHT 4.77g

CUSTOMER DRAWING

SCALE 尺度: 2:1

SHEET 1 OF 4

REV D

THIS DRAWING IS UNPUBLISHED.

RELEASED FOR PUBLICATION

LOC

DIST

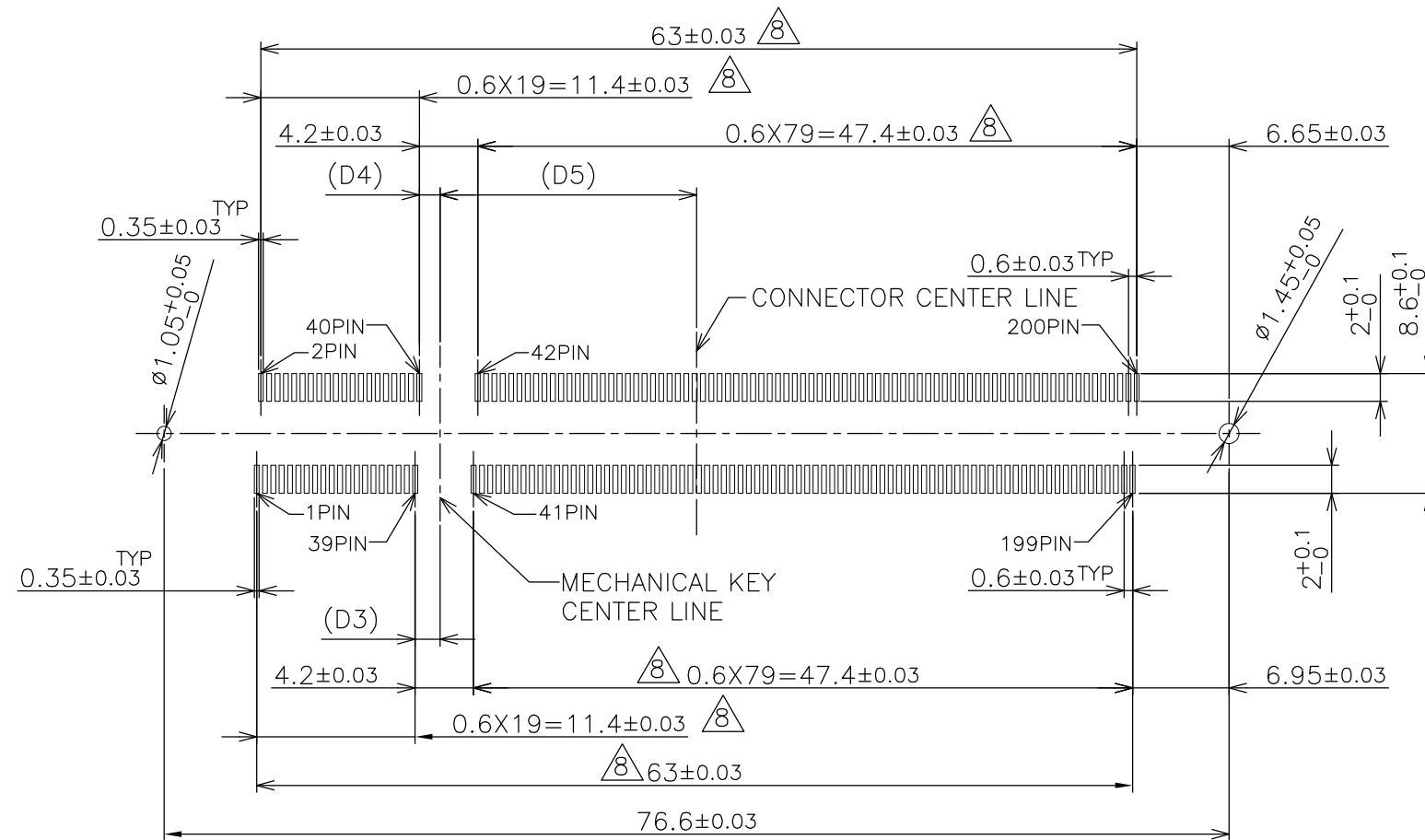
REVISIONS

変更

© COPYRIGHT - By -

ALL RIGHTS RESERVED.

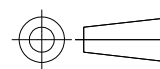
P	LTR	DESCRIPTION	DATE	DWN	APVD
-	-	SEE SHEET 1	-	-	-



REFERENCE P.C.B PATTERN LAYOUT (CONNECTOR MOUNTING SIDE)

THIS DRAWING IS A CONTROLLED DOCUMENT.

DIMENSIONS: 單位: 耗 MM



MATERIAL 材料 SEE NOTES

TOLERANCES UNLESS OTHERWISE SPECIFIED: 一般公差

- 0 PLC ± -
- 1 PLC ± -
- 2 PLC ± -
- 3 PLC ± -
- 4 PLC ± -
- ANGLES ± 3'

FINISH 仕上 SEE NOTES

DWN
CHK
APVD
PRODUCT SPEC 製品規格
APPLICATION SPEC 取付適用規格
WEIGHT



NAME 名称: DDR SODIMM SOCKET 0.6mm PITCH 200POS VERTICAL TYPE

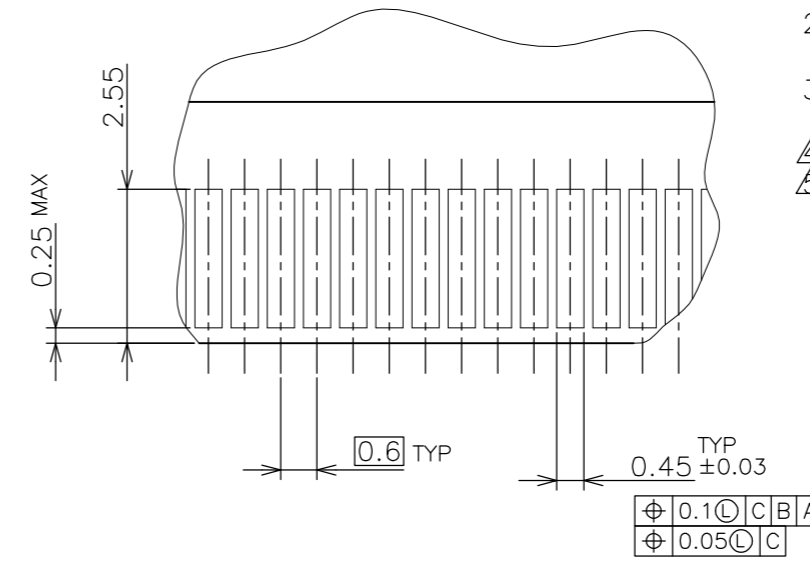
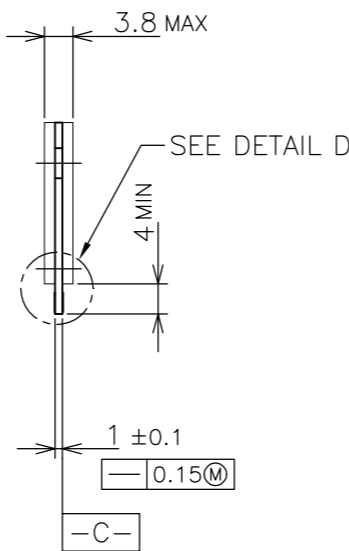
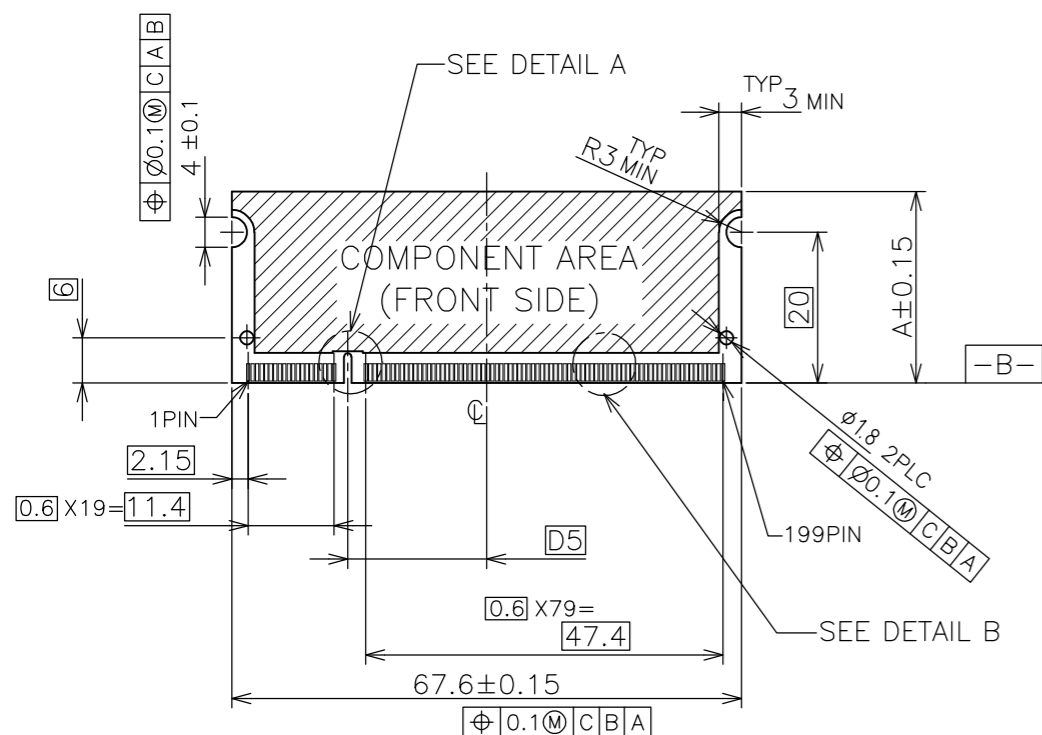
SIZE A3	CAGE CODE 00779	DRAWING NO 番号 G-2040910	RESTRICTED TO
---------	-----------------	-------------------------	---------------

CUSTOMER DRAWING SCALE 尺度 2:1 SHEET 2 OF 4 REV D

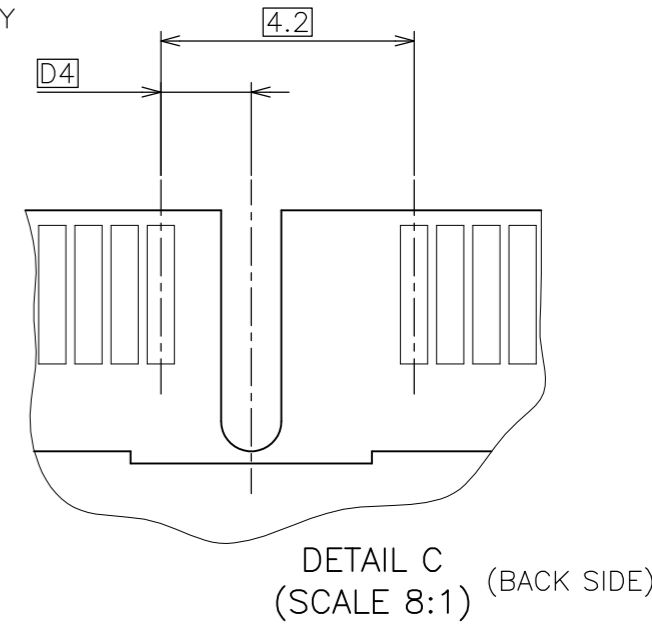
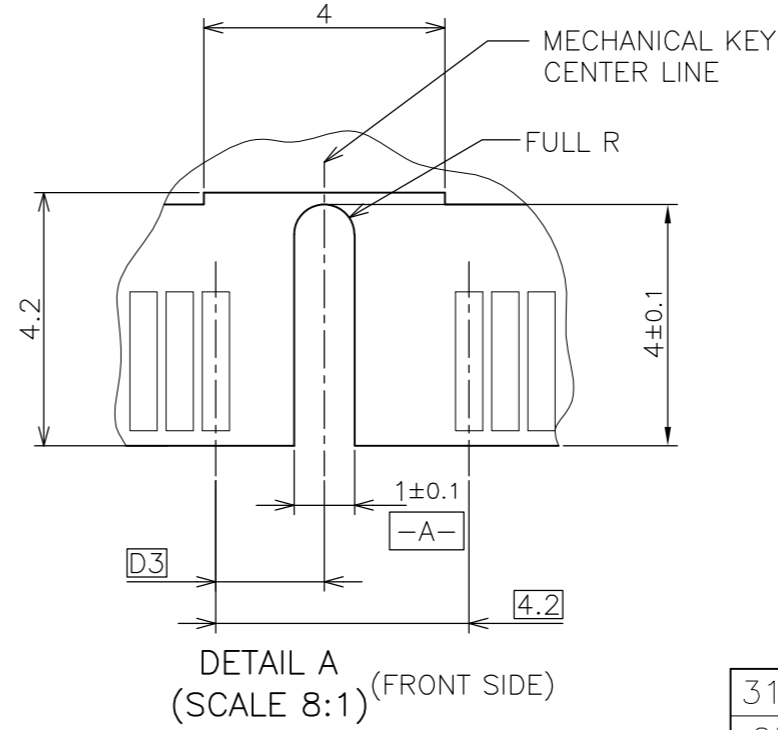
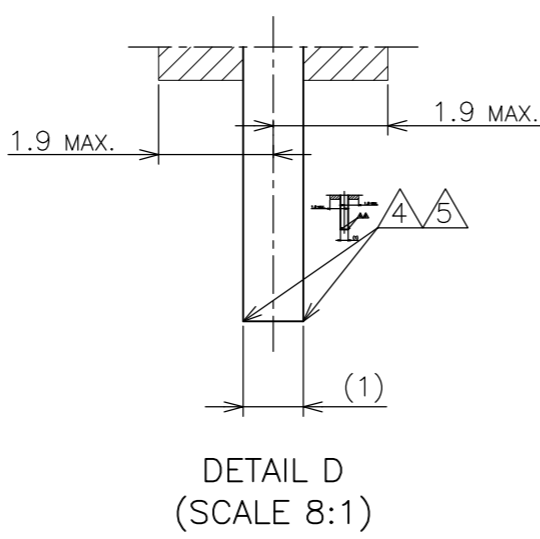
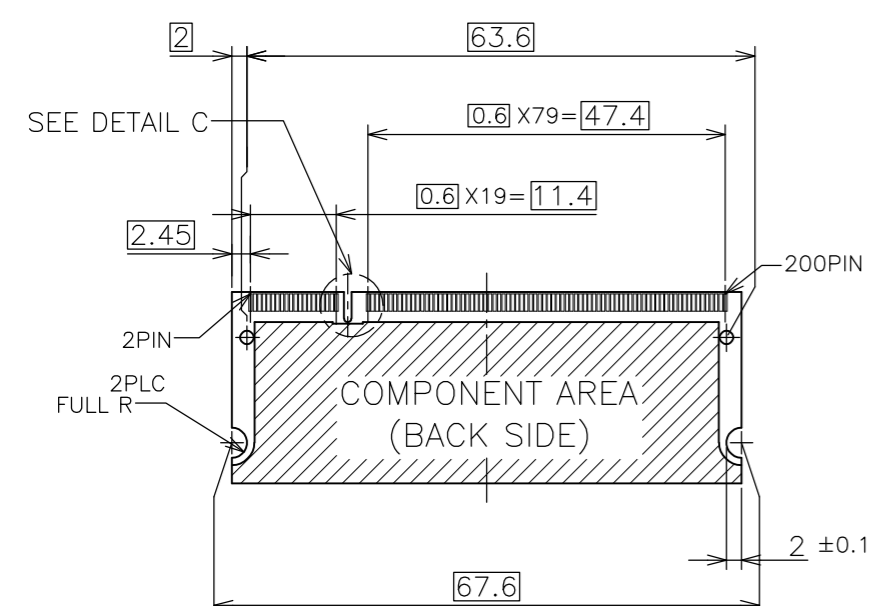
LOC	DIST
J	/

REVISIONS

P	LTR	DESCRIPTION	DATE	DWN	APVD
-	-	SEE SHEET 1	-	-	-



- NOTES:(APPLIED TO SHEET 3)
1. TOLERANCES ON ALL DIMENSIONS ±0.15 UNLESS OTHERWISE SPECIFIED.
 2. P.C.BOARD THICKNESS APPLIES ACROSS TABS AND INCLUDES PLATING AND/OR METALIZATION.
 3. FINISH OF PAD : GOLD PLATING 0.00076 MIN. OVER Ni PLATING 0.002MIN.
- △ NO BURR
- △ CHAMFER 0.25 MAX x 45° IF EXIST.



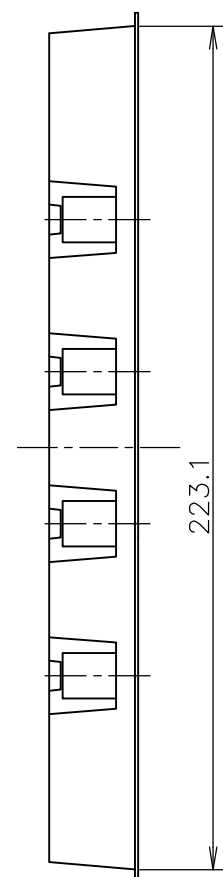
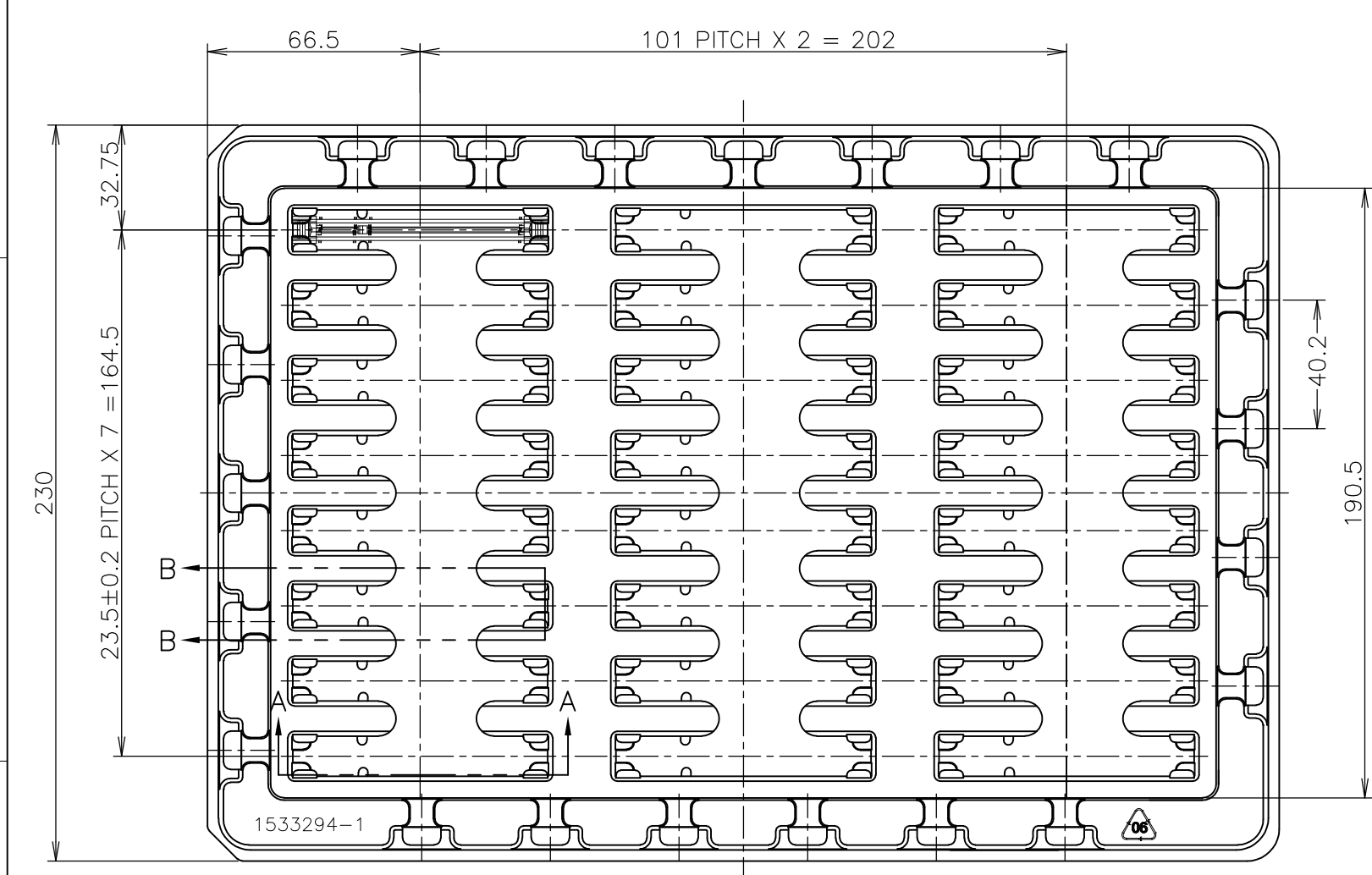
REFERENCE MATING P.C.B CONFIGURATION

31.75	1.8V	17.55	2.4	2.7
25.4	2.5V	18.45	1.5	1.8
A	POWER SUPPLY	D5	D4	D3

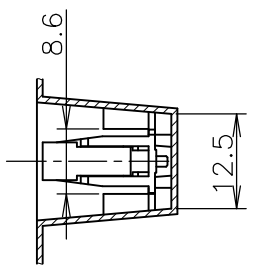
THIS DRAWING IS A CONTROLLED DOCUMENT.		DWN		TE Connectivity	
DIMENSIONS: 单位: 耗 MM		CHK			
TOLERANCES UNLESS OTHERWISE SPECIFIED: 一般公差		APVD			
0 PLC ± - 1 PLC ± - 2 PLC ± - 3 PLC ± - 4 PLC ± - ANGLES ± -		NAME 名称			
MATERIAL 材料		FINISH 仕上		DDR SODIMM SOCKET 0.6mm PITCH 200POS VERTICAL TYPE	
WEIGHT		CUSTOMER DRAWING		SIZE A3 CAGE CODE 00779 DRAWING NO. 2040910 RESTRICTED TO	
SCALE 尺度 1:1		SHEET 3 OF 4		REV D	

THIS DRAWING IS UNPUBLISHED. RELEASED FOR PUBLICATION
 © COPYRIGHT - By - ALL RIGHTS RESERVED.

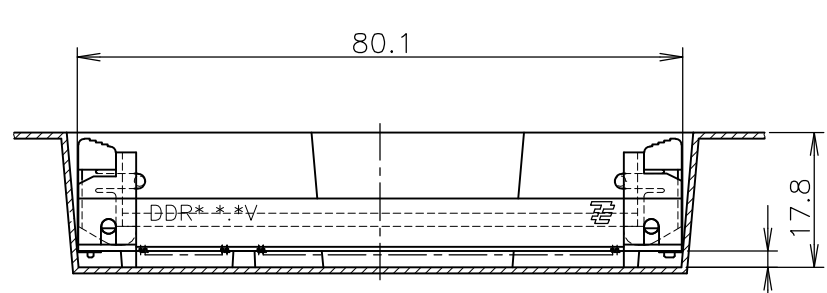
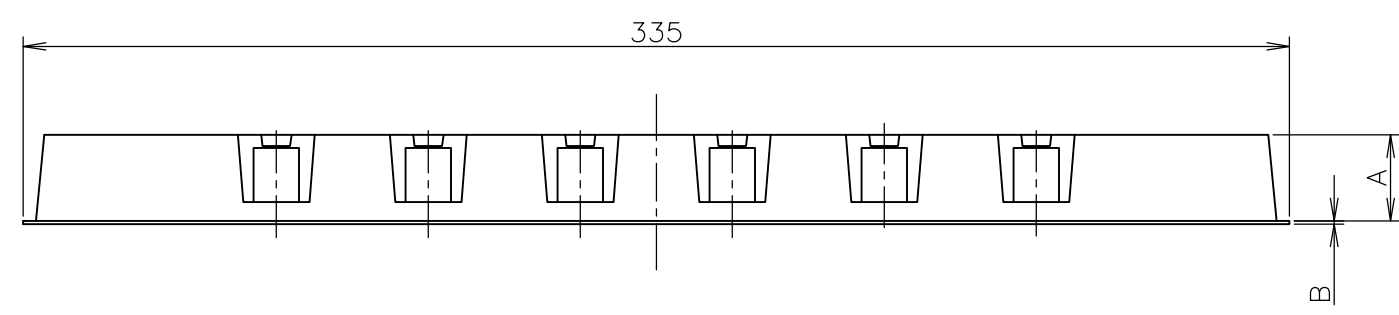
LOC	DIST	REVISIONS					
J		P	LTR	DESCRIPTION	DATE	DWN	APVD
		-		SEE SHEET 1	-	-	-



- (APPLIED TO SHEET 4)
1. THE DIRECTION OF EACH CONNECTOR ON A TRAY IS REFERRED TO THIS DRAWING.
 2. GENERAL TOLERANCE: ±0.5, ±3°



B-B
(SCALE 1:1)



A-A
(SCALE 1:1)

1.2	18.8	384EA	96EA	24EA	2040910-3
1.2	22.8	384EA	96EA	24EA	2040910-2
1.2	22.8	384EA	96EA	24EA	2040910-1
B	A	QTY/SHIPPING BOX	QTY/INNER BOX	QTY/TRAY	PART NO.

THIS DRAWING IS A CONTROLLED DOCUMENT.

DIMENSIONS: 单位: 耗 MM	TOLERANCES UNLESS OTHERWISE SPECIFIED: 一般公差	DWN	STE TE Connectivity			
	0 PLC ± 0.5	CHK	NAME 名称			
	1 PLC ± 0.5	APVD	DDR SODIMM SOCKET 0.6mm PITCH 200POS VERTICAL TYPE			
	2 PLC ± 0.5	PRODUCT SPEC 製品規格	SIZE	CAGE CODE	DRAWING NO 番号	RESTRICTED TO
	3 PLC ± 0.5	APPLICATION SPEC 取付適用規格	A3	00779	C-2040910	
MATERIAL 材料	4 PLC ± 0.5	WEIGHT	CUSTOMER DRAWING			
	ANGLES ± 0.5		SCALE 尺度	SHEET	REV	
FINISH 仕上	± 3°		1:2	4 OF 4	D	

单击下面可查看定价，库存，交付和生命周期等信息

[>>TE Connectivity\(泰科\)](#)