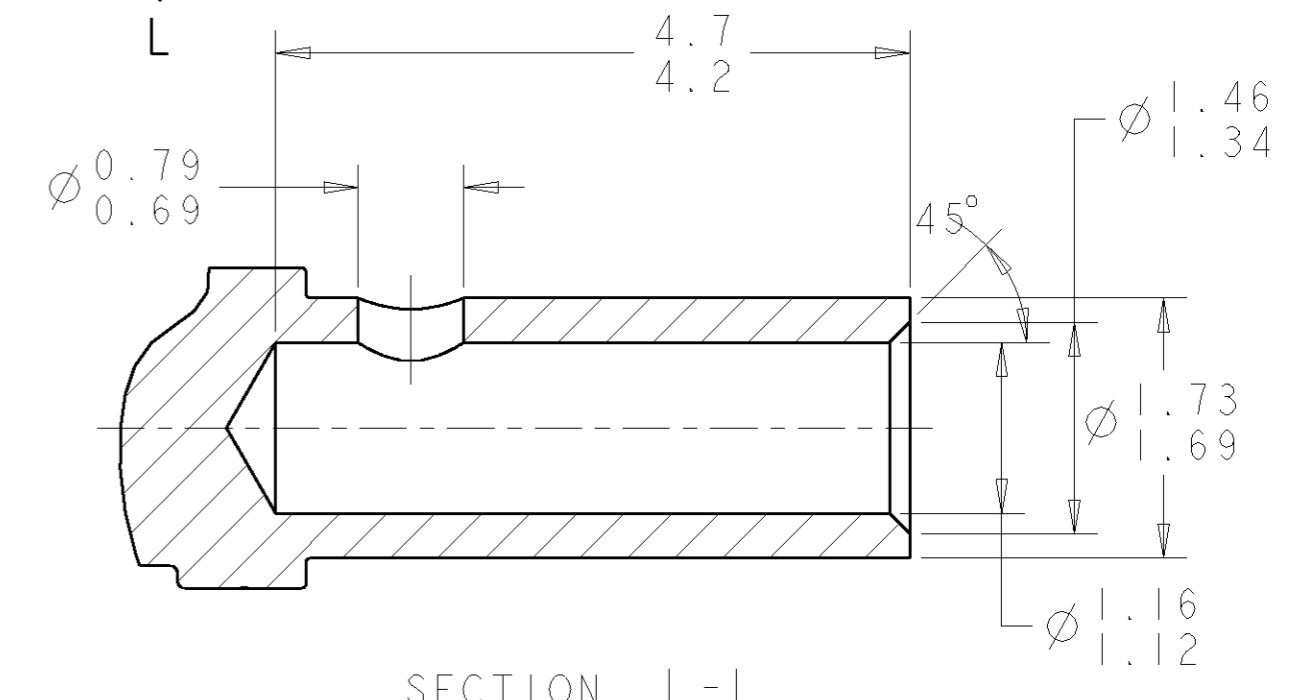
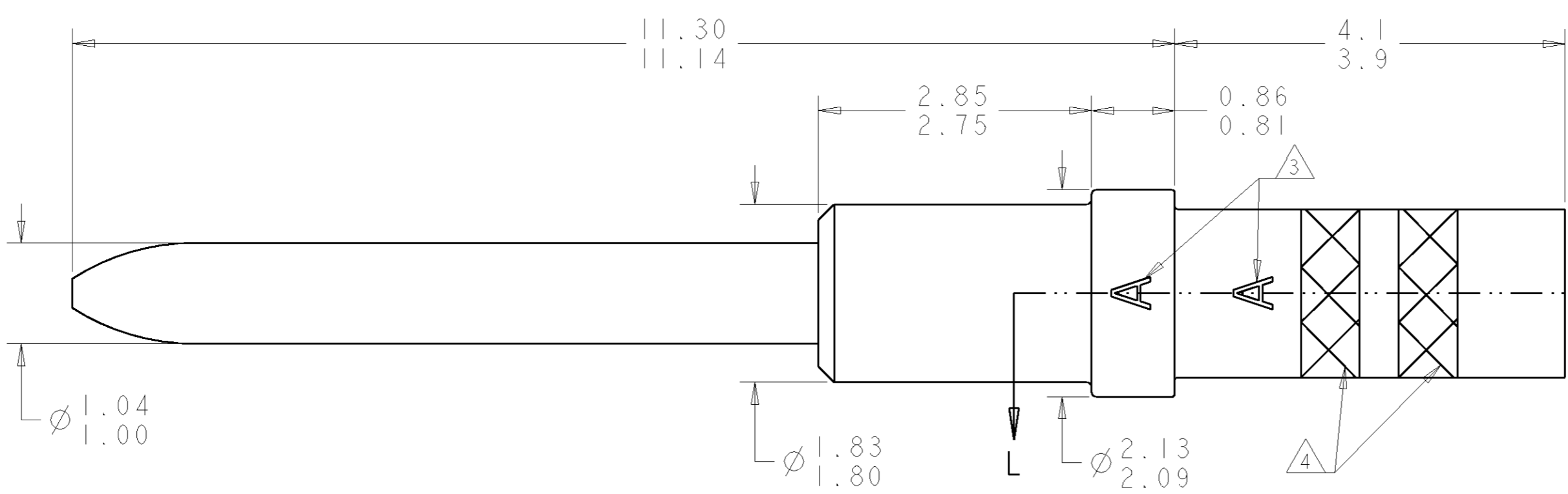


THIS DRAWING IS UNPUBLISHED. RELEASED FOR PUBLICATION 20  
 © COPYRIGHT 20 BY TYCO ELECTRONICS CORPORATION. ALL RIGHTS RESERVED.

LOC	DIST	REVISIONS					
DF	A5	P	LTR	DESCRIPTION	DATE	DWN	APVD
		1		PROPOSED	08APR2005	BW	JPM



- 1 COPPER ALLOY C97
- 2 1.27µm MIN GOLD PER ASTM B488 OVER 2.54µm MIN NICKEL PER QQ-N-290 ON ENTIRE STOCK.
- 3 OPTIONAL LOCATIONS OF THE LETTER "A" MARKING  
OPTIONAL ALTERNATE MARKING: LETTER "S"
- 4 RED COLOR BANDS
- 5. APPLICABLE WIRE SIZE: 20-22-24 AWG  
WIRE INSULATION DIAMETER: 1.8 mm MAX  
INSULATION STRIP LENGTH: 3.65-4.15 mm
- 6. APPLICATION TOOLING:  
CRIMPING TOOL: TYCO PART NUMBER 601966-1 (M22520/2-01)  
POSITIONER: TYCO PART NUMBER 601966-5 (M22520/2-08)  
SELECTOR POSITION: AWG 20: 7  
AWG 22: 6  
AWG 24: 5  
CONTACT INSERTION/EXTRACTION TOOL: 91067-2 (M81969/1-02)

7. THIS PRODUCT IS SOLD BY TYCO ELECTRONICS UNDER A LICENSE FROM RADIALL SA.

1738011-1  
PART NUMBER

THIS DRAWING IS A CONTROLLED DOCUMENT FOR TYCO ELECTRONICS CORPORATION IT IS SUBJECT TO CHANGE AND THE CONTROLLING ENGINEERING ORGANIZATION SHOULD BE CONTACTED FOR THE LATEST REVISION.		DWN BW	08APR2005	Tyco Electronics Harrisburg, PA 17105-3608	
DIMENSIONS: mm		CHK JPM	08APR2005		
TOLERANCES UNLESS OTHERWISE SPECIFIED: 0 PLC ± 1 PLC ± 2 PLC ± 3 PLC ± 4 PLC ± ANGLES ± FINISH		APVD JPM	08APR2005	NAME PIN CONTACT, SIZE 20, GPR	
MATERIAL 1		PRODUCT SPEC -		SIZE CAGE CODE DRAWING NO RESTRICTED TO	
		APPLICATION SPEC -		A200779C-1738011	
		WEIGHT -		SCALE 20:1 SHEET OF 1 REV 1	
		CUSTOMER DRAWING			

单击下面可查看定价，库存，交付和生命周期等信息

[>>TE Connectivity\(泰科\)](#)